

Near Field Probe

22 to 33 GHz, WR34

DESCRIPTION

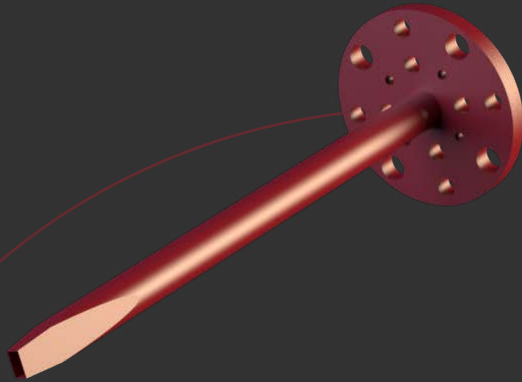
The NFP-100-WR34 is a high-performance open-ended waveguide probe that operates at the X-band between 22 and 33 GHz. It is manufactured from a single aluminium rod by high accurate manufacturing processes. The opening is sharp to reduce/minimize reflections.

Under client request, all NFPs can include adequate absorber material to reduce backscattering reflections from flanges.

APPLICATIONS

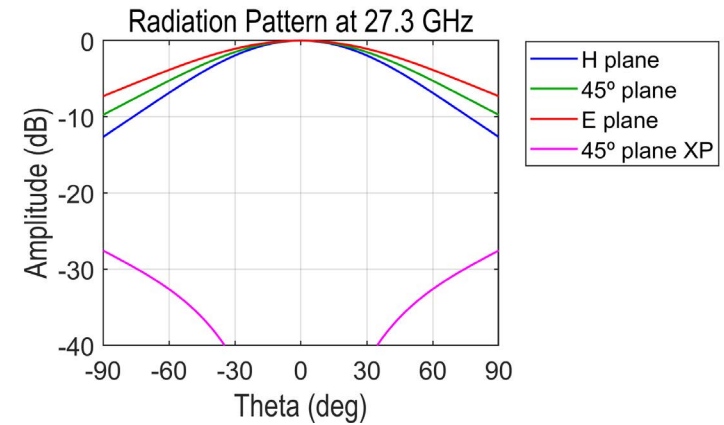
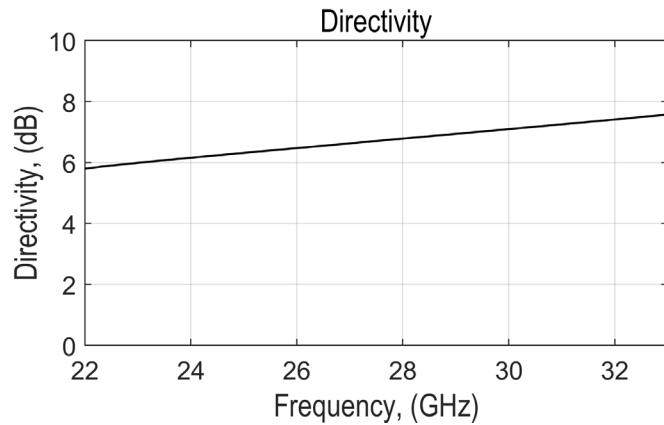
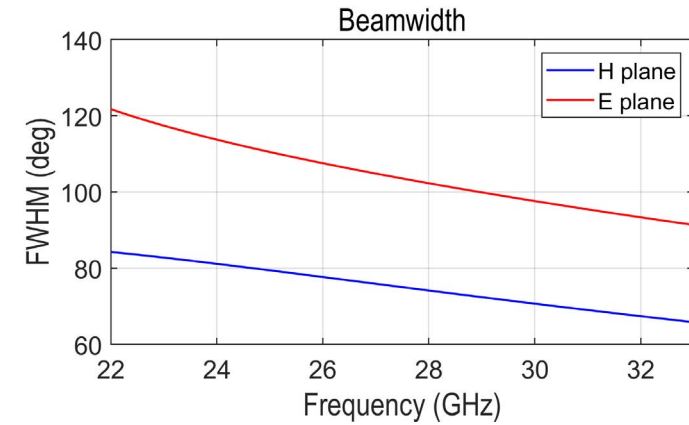
This type of probes is especially suitable for laboratory antenna near field measurements. Moreover, custom bands and radiation pattern data can be requested for probe correction purposes.

Anteral also offers their **CATR** (Compact Antennas Test Range) for measuring antennas at such antenna test facilities.



ELECTRICAL SPECIFICATIONS

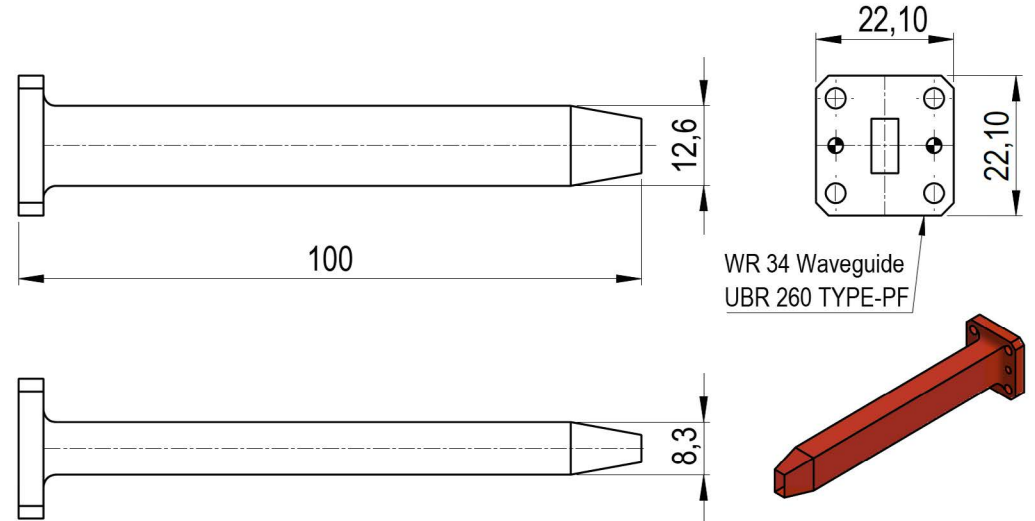
Parameter	Typical value
Frequency	22 - 33 GHz
Directivity	6.5 dBi
S11	-13 dB



MECHANICAL SPECIFICATIONS

Parameter	Description
Antenna Port	WR-34 (8.636 mm x 4.318 mm)
Flange	UBR 260 -PF
Total length	100 mm
Horn Material	Aluminum

MECHANICAL OUTLINE



Additional notes

The return loss performance of all items is checked before delivery.

Last version: 09/05/2022.

