

D-Band Near Field Probe

110 to 170 GHz, WR06

DESCRIPTION

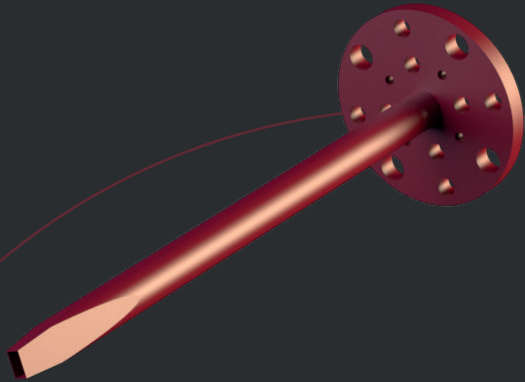
The NFP-30-WR06 is a high-performance open-ended waveguide probe that operates at the X-band between 110 and 170 GHz. It is manufactured from a single aluminium rod by high accurate manufacturing processes. The opening is sharp to reduce/minimize reflections.

Under client request, all NFPs can include adequate absorber material to reduce backscattering reflections from flanges.

APPLICATIONS

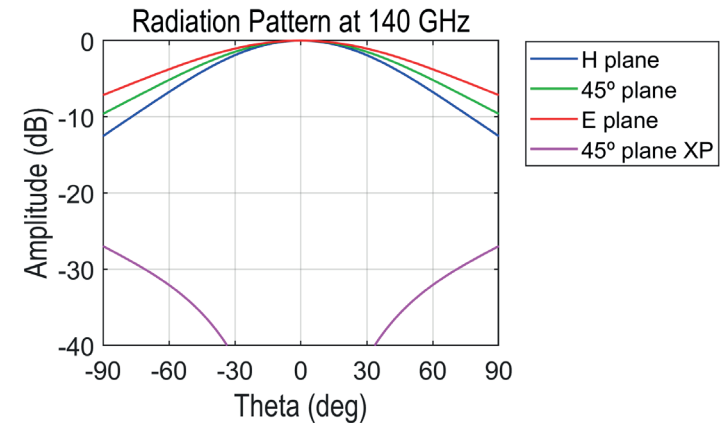
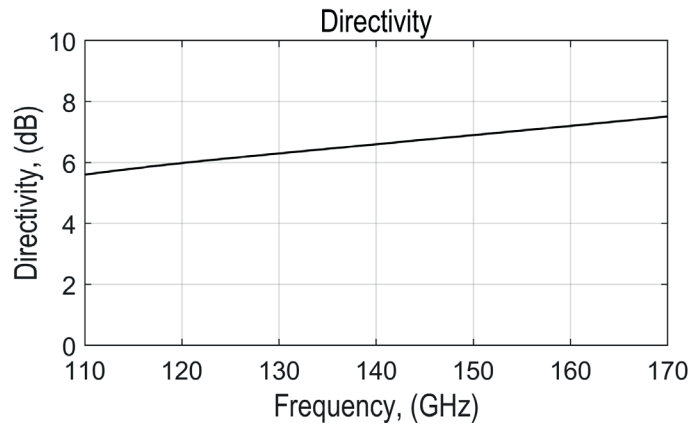
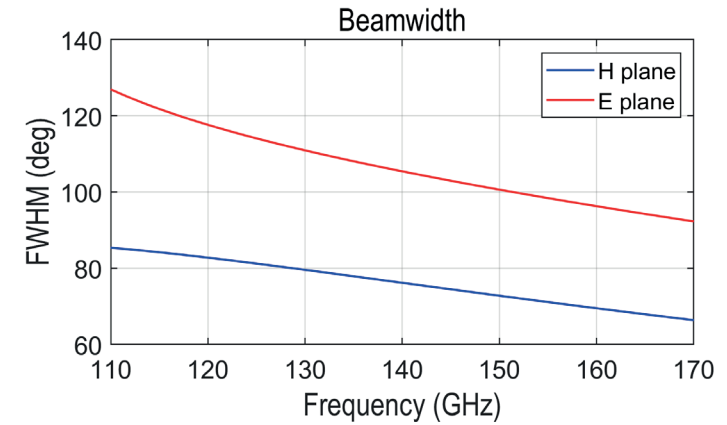
This type of probes is especially suitable for laboratory antenna near field measurements. Moreover, custom bands and radiation pattern data can be requested for probe correction purposes.

Anteral also offers their **CATR** (Compact Antennas Test Range) for measuring antennas at such antenna test facilities.



ELECTRICAL SPECIFICATIONS

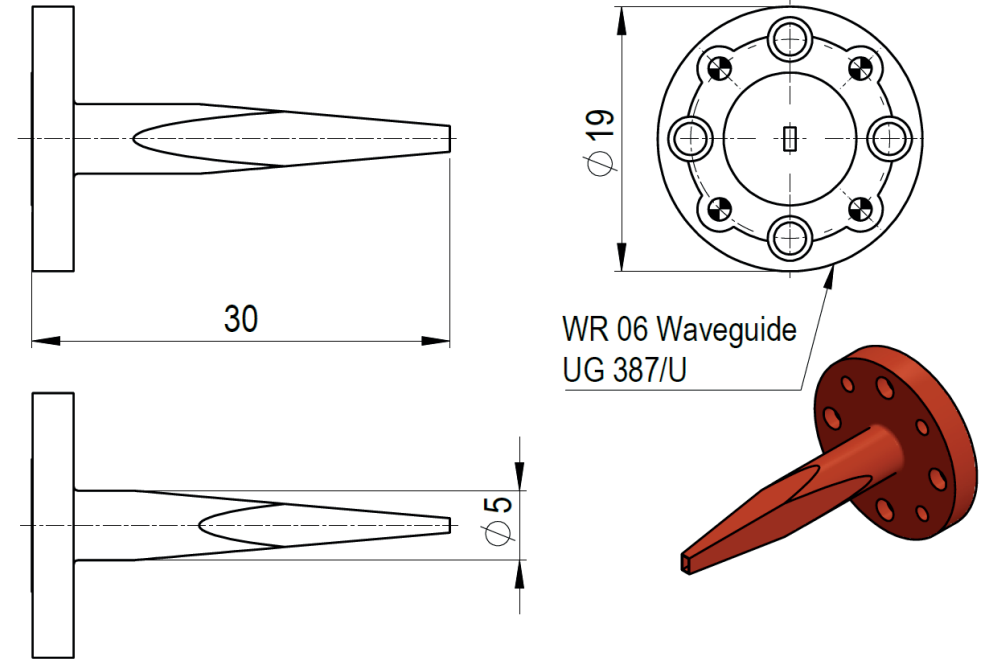
Parameter	Typical value
Frequency	110 - 170 GHz
Directivity	6.5 dBi
S11	-13 dB



MECHANICAL SPECIFICATIONS

Parameter	Description
Antenna Port	WR-6.5 (1.651 mm x 0.8255 mm)
Flange	UG-387/U
Total length	30 mm
Horn Material	Aluminum
External Color	Ruby Red

MECHANICAL OUTLINE



Additional notes

The return loss performance of all items is checked before delivery.

Last version: 09/05/2022.

