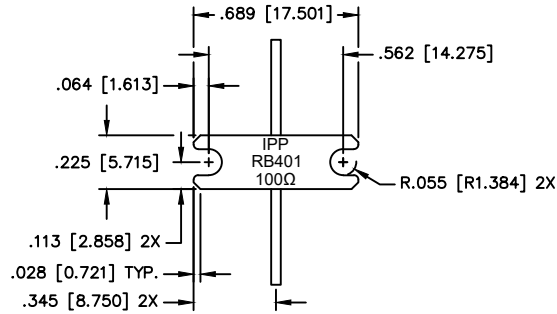
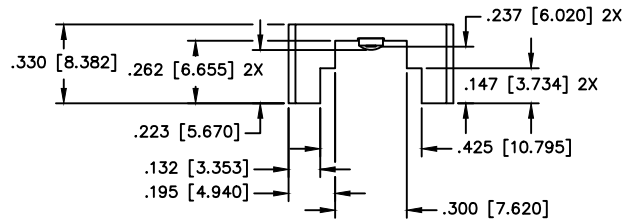


UNAUTHORIZED USE OF THIS  
DRAWING IS STRICTLY PROHIBITED

DAR	REV	DESCRIPTION	APPVD	DATE
5585	A	INITIAL RELEASE	DG	5-15
5897	B	SEE DAR	DG	11-15
9892	C	SEE DAR	DG	11-24



(REF: 100 OHM VALUE SHOWN)

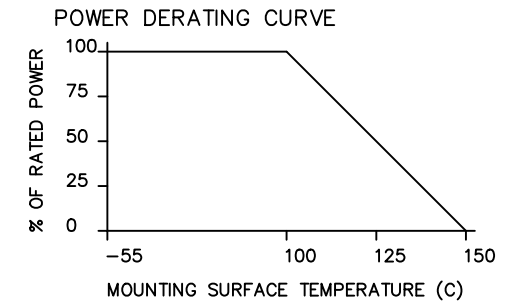


**NOTES:**

1. LEAD MATERIAL: 99.99% PURE SILVER, .040 [1.016] WIDE x .005 [.127] THICK x .500 [12.700] MIN. LONG.
2. SUBSTRATE MATERIAL: BeO
3. FLANGE MATERIAL: ALUMINUM
4. PLATING: NICKEL
5. LEAD(S) WELDED TO SUBSTRATE.

**ELECTRICAL SPECIFICATIONS**

FREQUENCY: DC - 3000 MHZ.



PART NO.	PER RESISTOR			
	VALUE	TOLERANCE	POWER	CAPACITANCE
IPP-RB401-100	100	+/- 5%	15W	0.75 pF
IPP-RB401-200	200	+/- 5%	15W	0.75 pF
IPP-RB401-250	250	+/- 5%	15W	0.75 pF
IPP-RB401-300	300	+/- 5%	15W	0.75 pF
IPP-RB401-500	500	+/- 5%	15W	0.75 pF
IPP-RB401-1000	1000	+/- 5%	15W	0.75 pF

MATERIAL 2 3	DWN S.Cornell	DATE 5-11-15	<b>Innovative Power® Products</b>			
	ENG DG	DATE 5-15				
FINISH 4	MANUF	DATE	TITLE FEEDBACK RES, FLANGED			
	CAGE CODE: 437R2					
TOLERANCE IN [MM]	.XX ±.02 [.50]	SHEET OF 1 1	SCALE 2:1	SIZE B	P/N IPP-RB401-XXX	REV. C
	.XXX ±.010 [.254]					