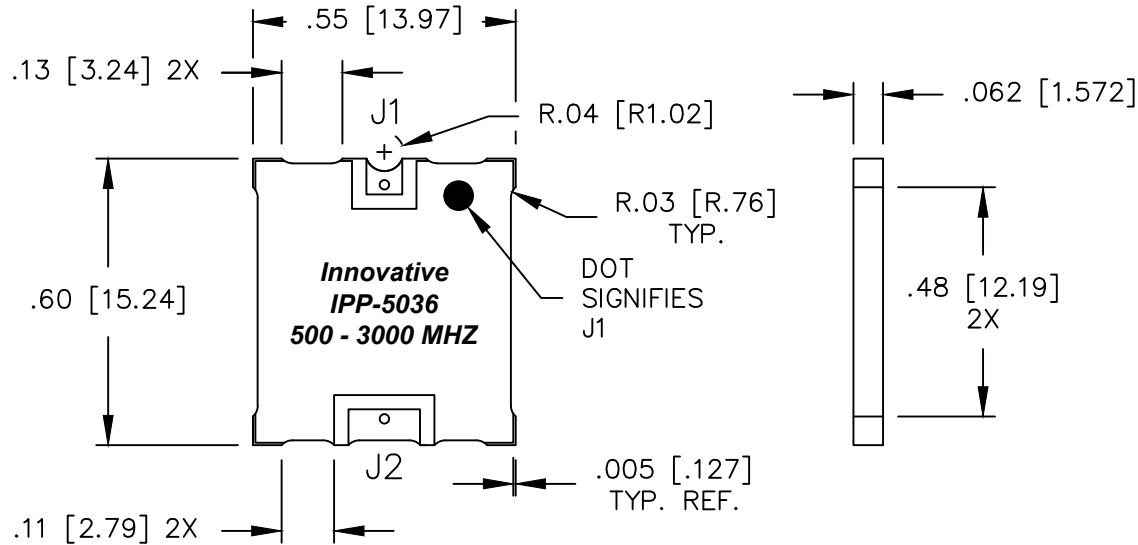


UNAUTHORIZED USE OF THIS
DRAWING IS STRICTLY PROHIBITED

DAR	REV	DESCRIPTION	APPVD	DATE
9861	A	INITIAL RELEASE	DG	10-24
10130	B	SEE DAR	DG	6-25

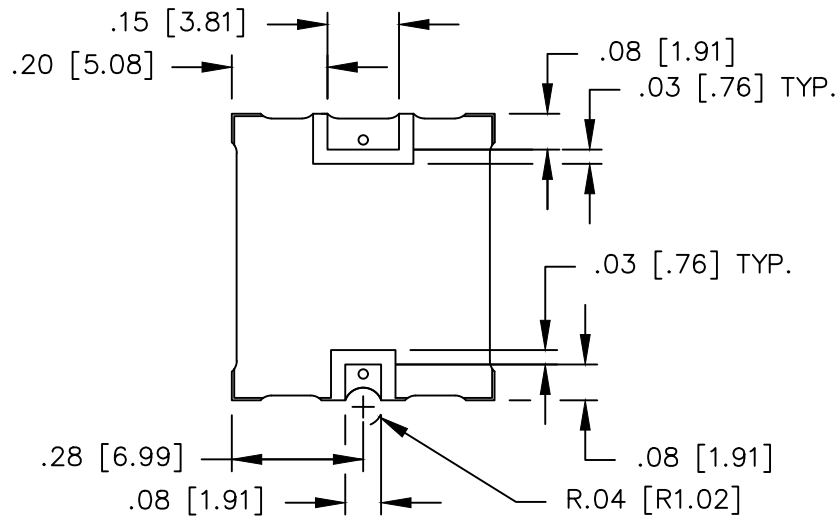


NOTES:

1. DO NOT EXCEED 250° C WHEN INSTALLING.
2. RoHS & REACH COMPLIANT.
3. AVAILABLE IN TAPE AND REEL.
4. DATA AND SPECIFICATIONS APPLY WHEN PART IS MOUNTED IN IPP TEST FIXTURE. TEST FIXTURE CONFIGURATION/FOOTPRINT AVAILABLE UPON REQUEST.

ELECTRICAL SPECIFICATIONS

FREQUENCY:	500 – 3000 MHz.
INSERTION LOSS:	< 0.50 dB
VSWR:	< 1.30:1
POWER:	100 WATT
IMPEDANCE:	J1: 50 OHM J2: 25 OHM
TEMPERATURE:	-55°C TO 85°C



MATERIAL	DWN DG	DATE 11-23	Innovative Power® Products		
FINISH ELECTROLESS TIN	ENG TJD	DATE 11-23			
TOLERANCE .XX ±.02 .XXX ±.010 ANG. ±1/2°	CAGE CODE: 437R2		TITLE OUTLINE, SINGLE ENDED IMPEDANCE TRANSFORMER, 500 - 3000 MHz 2:1 100 WATT		
	SHEET 1 OF 1	SCALE 4:1	SIZE B	P/N IPP-5036	REV. B