

LB-OH-650-10-C-SF Octave Horn Antenna 1-2GHz 10dB Gain SMA Female



Octave Horn Antenna Operating From 1GHz to 2GHz With a Nominal 10dB Gain With SMA Female Connector

Product Information

SKU	LB-OH-650-10-C-SF
-----	-------------------

Description

Octave horn antenna LB-OH-650-10-C-SF, operating from 1 to 2GHz with a nominal 10dB gain and low VSWR 1.5:1 with SMA Female output connector. The model LB-OH-650-10-C-SF has uniform gain through its frequency span, providing efficient performance characteristics and directionality. It can handle 50W continuously and 3000W peak power. Constructed of lightweight corrosion-resistant aluminum, the antenna will provide years of trouble-free indoor and outdoor service. This octave horn antenna is linearly polarized and ideally suited for EMI testing, direction finding, surveillance, antenna gain and pattern measurements and other applications.

Technical Specification

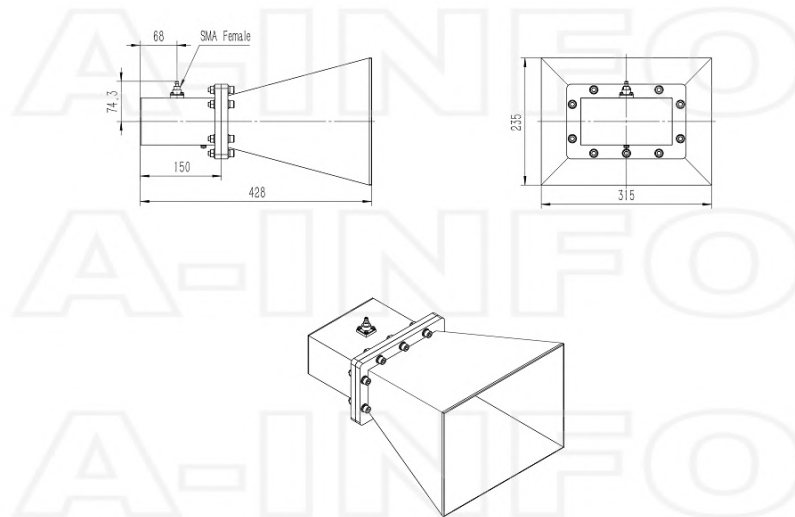
Electrical Specification		Interface	
Frequency, Min (GHz)	1	Output Type	Coaxial
Frequency, Max (GHz)	2	Connector	SMA
Gain, Typ (dBi)	10	Connector Gender	Female
Polarization	Linear	Mechanical Specification	
3dB Beamwidth, E-Plane, Min (Deg.)	29	Body Material	Al
3dB Beamwidth, E-Plane, Max (Deg.)	63	Finish	Chemical Conversion Coating, Gray Paint
3dB Beamwidth, H-Plane, Min (Deg.)	29	Size, W (mm)	315
3dB Beamwidth, H-Plane, Max (Deg.)	65	Size, H (mm)	235
Cross Pol. Isolation, Typ (dB)	35	Size, L (mm)	428
VSWR, Typ	1.5:1	Weight, (kg)	3.4
Impedance, (Ohm)	50		
Power Handling, CW, (W)	50		
Power Handling, Peak, (W)	3000		

Additional Information

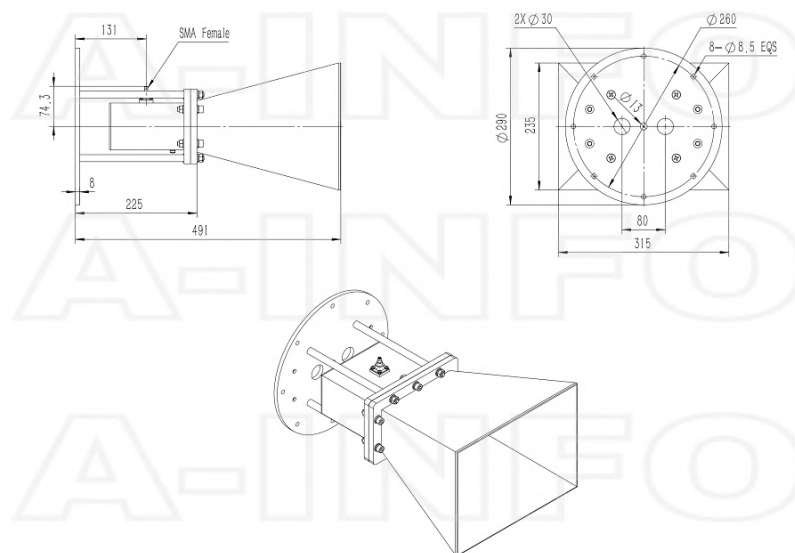
Application	General Purpose Indoor & Outdoor, Fixed	Solution for	Gain Reference Antenna Measurement Far-field Measurement System Intergration
-------------	---	--------------	---

Outline Drawing

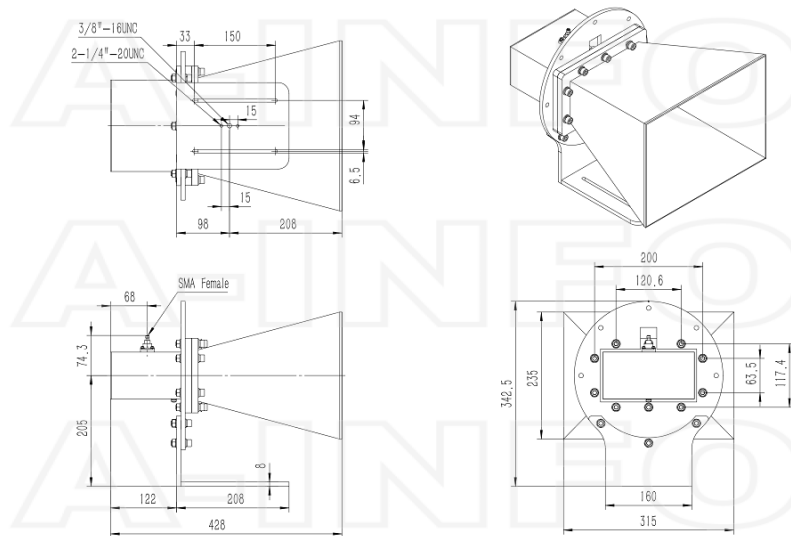
SMA-Female Output (P/N: LB-OH-650-10-C-SF)



SMA-Female Output with Round Mounting Bracket (Option, P/N: LB-650-10-C-MB)

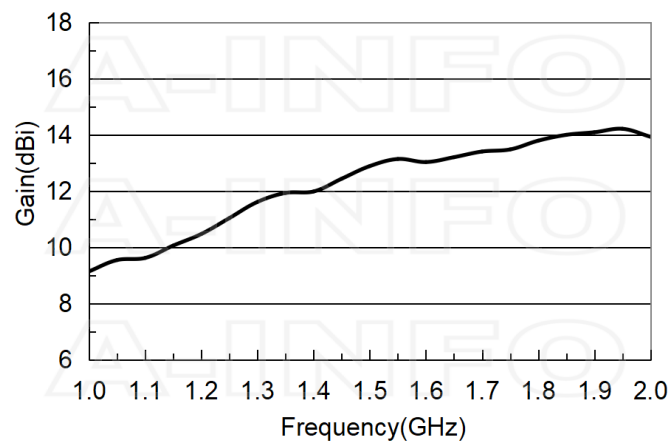


SMA-Female Output with L Type Mounting Bracket (Option, P/N: LB-650-10-C-L)

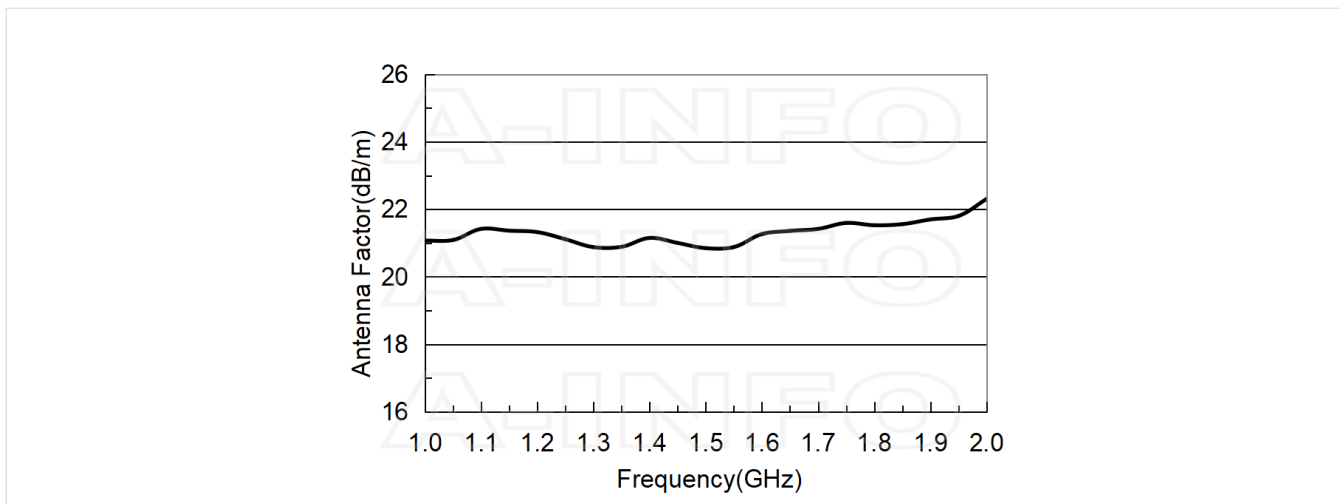


Typical Test Results

Gain



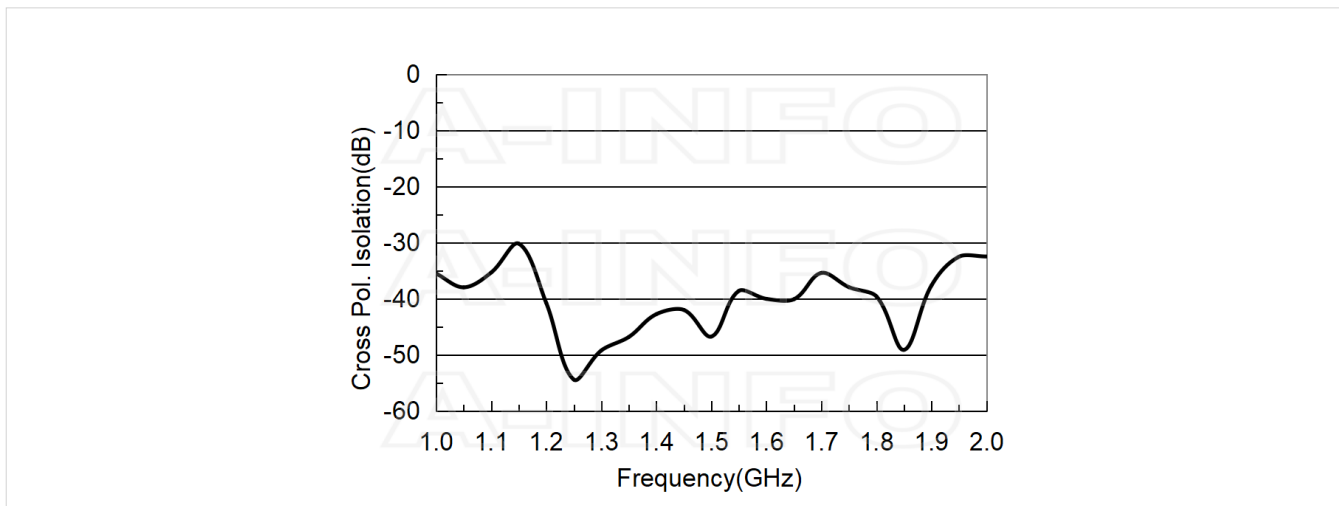
Antenna Factor



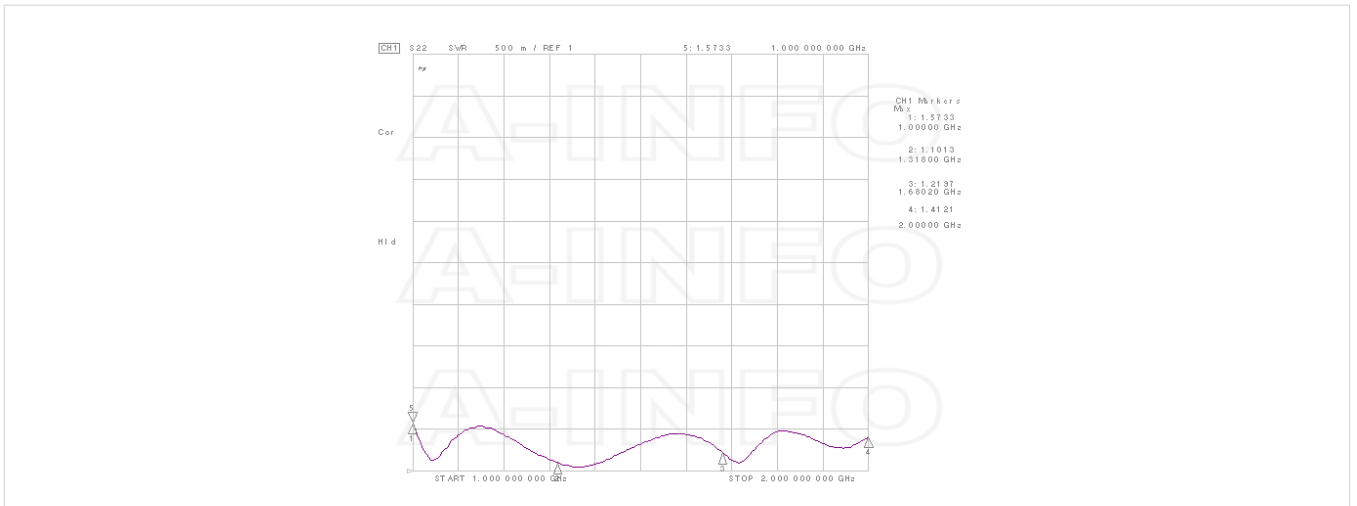
Antenna Factor (Table)

Frequency(GHz)	Gain(dBi)	AF(dB/m)
1.0	9.14	21.07
1.1	9.62	21.42
1.2	10.47	21.32
1.3	11.61	20.88
1.4	11.98	21.15
1.5	12.88	20.85
1.6	13.03	21.26
1.7	13.40	21.42
1.8	13.79	21.53
1.9	14.09	21.70
2.0	13.93	22.30

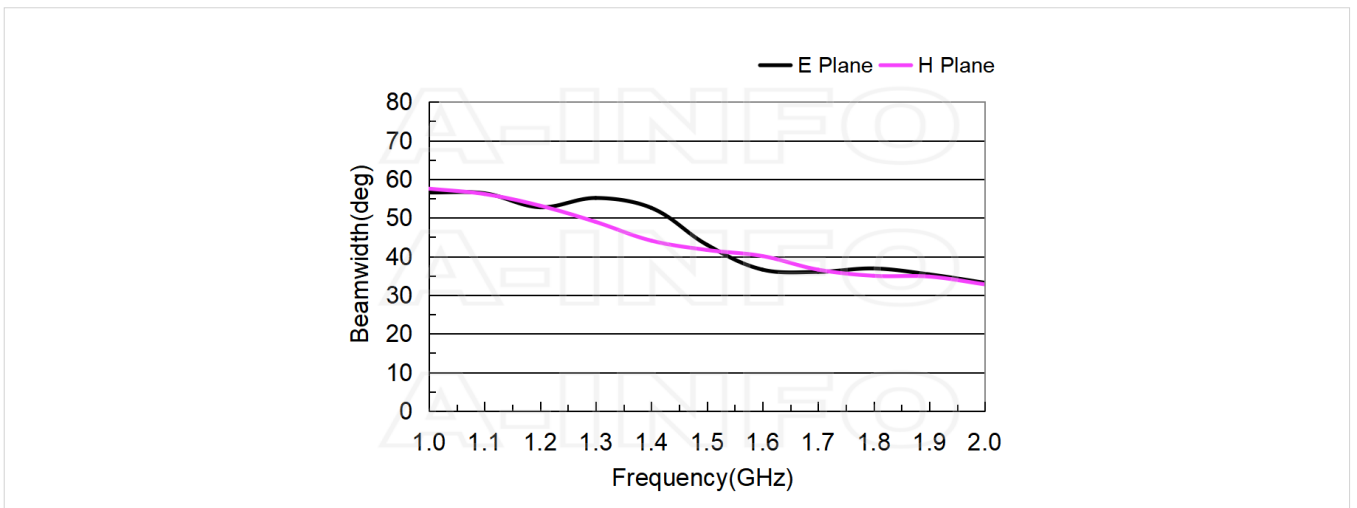
Cross Polarization Isolation



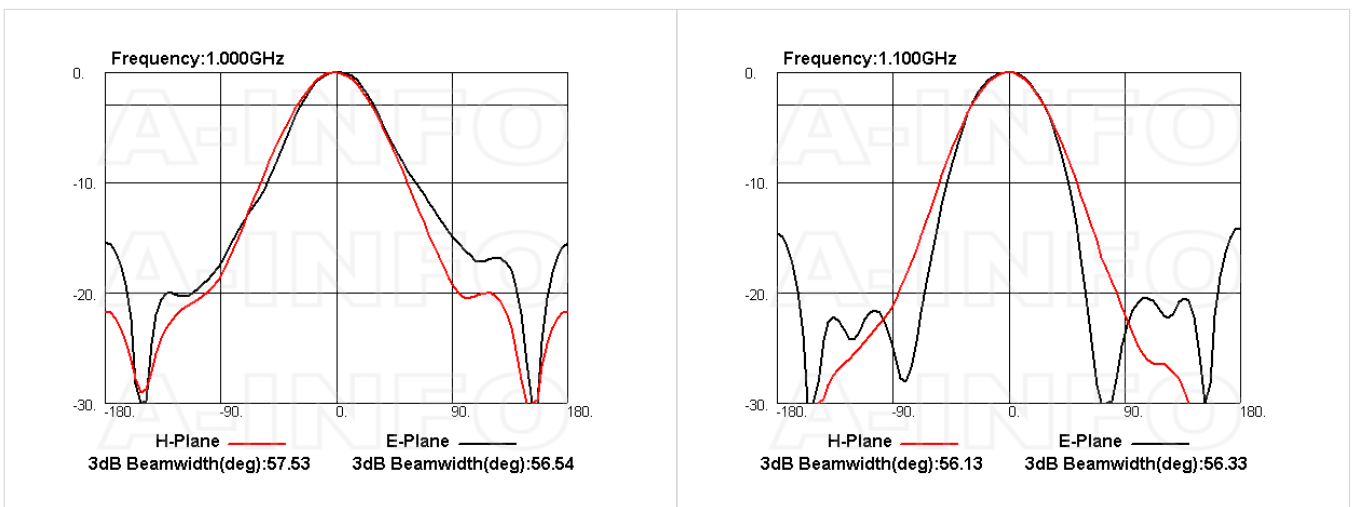
VSWR

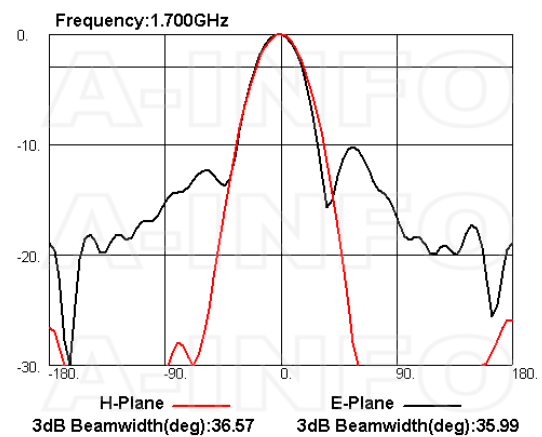
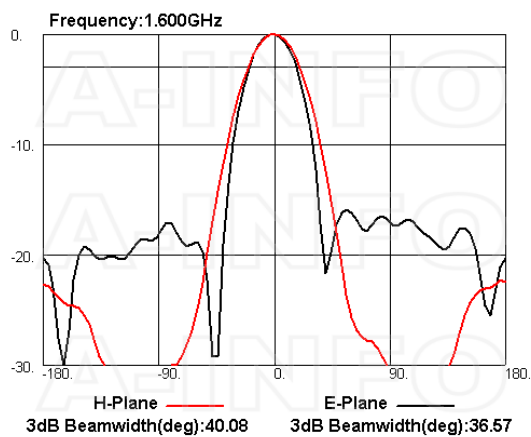
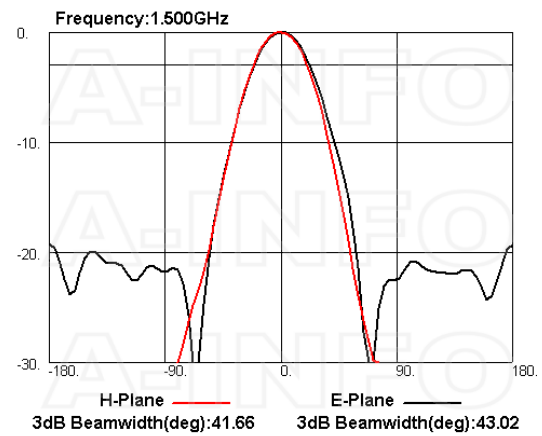
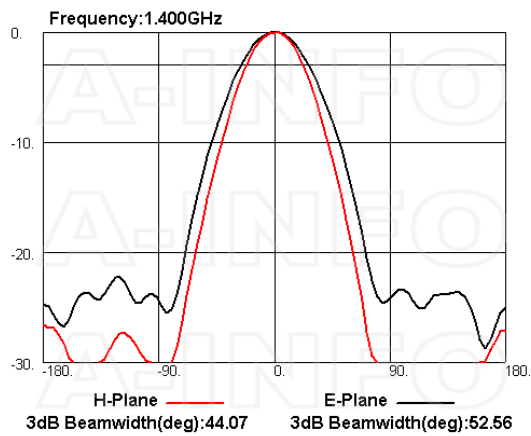
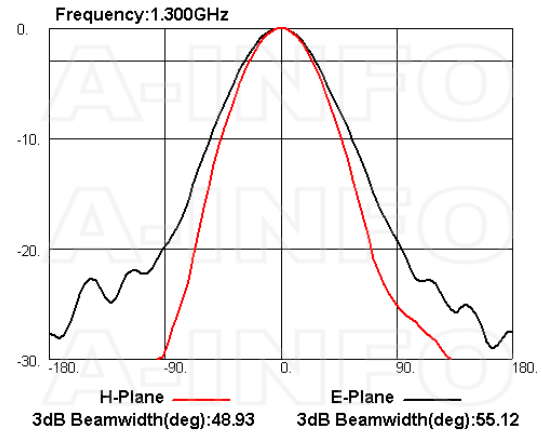
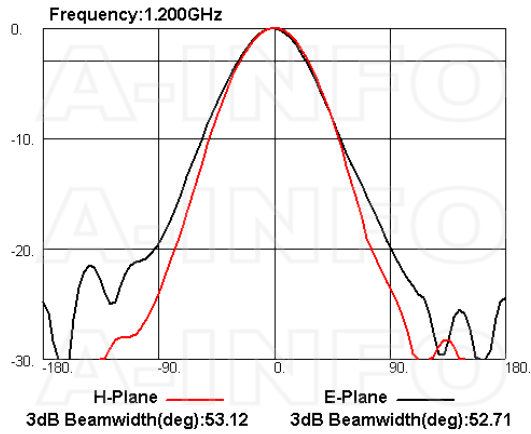


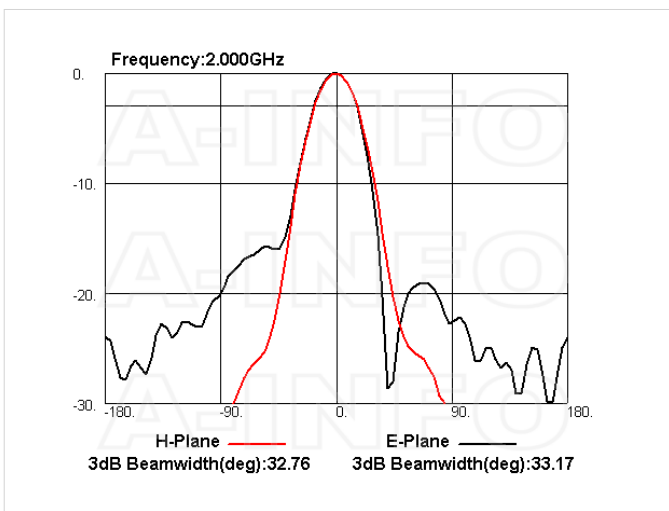
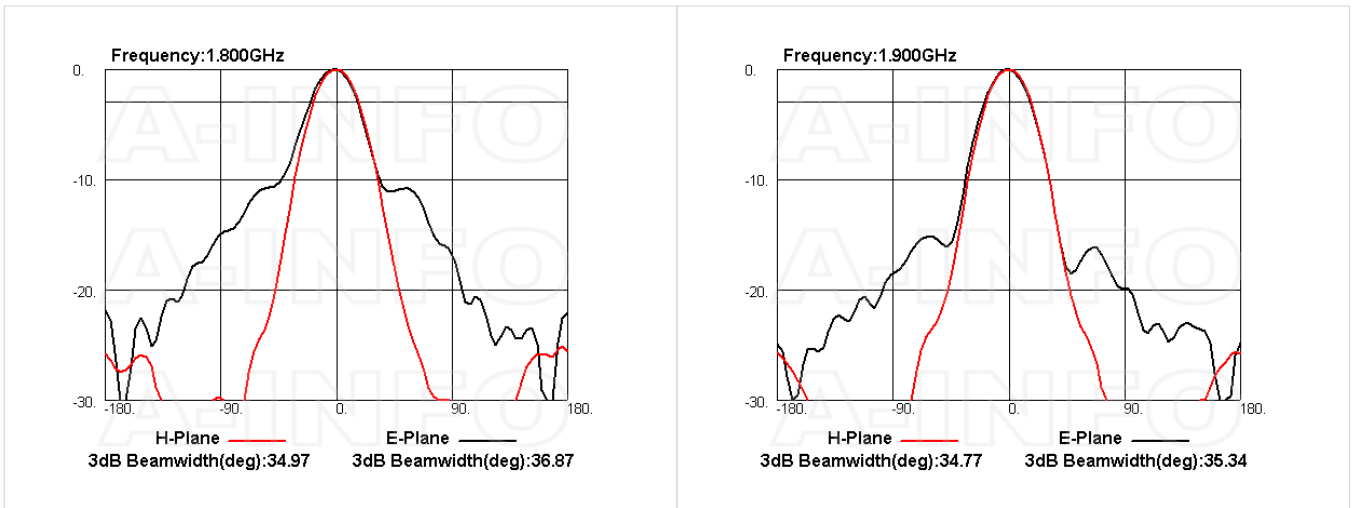
Beamwidth



Pattern







Related Products



LB-650-10-C-MB Round Type Mounting Bracket



LB-650-10-C-L L type mounting bracket



Carrying Case_LB-650-10-C Al Alloy Carrying Case



SM-SM-A050-1000 Flexible Cable Assembly 1000mm DC- 26.5GHz SMA Male to SMA Male



SM-SM-A050-1500 Flexible Cable Assembly 1500mm DC- 26.5GHz SMA Male to SMA Male



SM-SM-A050-2000 Flexible Cable Assembly 2000mm DC- 26.5GHz SMA Male to SMA Male



SM-SM-A050-3000 Flexible Cable Assembly 3000mm DC- 26.5GHz SMA Male to SMA Male



SM-SM-A050-5000 Flexible Cable Assembly 5000mm DC- 26.5GHz SMA Male to SMA Male



SM-SM-A050-10000 Flexible Cable Assembly 10000mm DC- 26.5GHz SMA Male to SMA Male



SM-SM-A080-200 Flexible Cable Assembly 200mm DC- 26.5GHz SMA Male to SMA Male



SM-SM-A080-300 Flexible Cable Assembly 300mm DC- 26.5GHz SMA Male to SMA Male



SM-SM-A080-500 Flexible Cable Assembly 500mm DC- 26.5GHz SMA Male to SMA Male



SM-SM-A080-1000 Flexible Cable Assembly 1000mm DC- 26.5GHz SMA Male to SMA Male



SM-SM-A080-1500 Flexible Cable Assembly 1500mm DC- 26.5GHz SMA Male to SMA Male



SM-SM-A080-2000 Flexible Cable Assembly 2000mm DC- 26.5GHz SMA Male to SMA Male



SM-SM-A080-3000 Flexible Cable Assembly 3000mm DC- 26.5GHz SMA Male to SMA Male



SM-SM-A080-5000 Flexible Cable Assembly 5000mm DC- 26.5GHz SMA Male to SMA Male



SM-SM-A080-10000 Flexible Cable Assembly 10000mm DC- 26.5GHz SMA Male to SMA Male



SM-SM-A080-20000 Flexible Cable Assembly 20000mm DC- 26.5GHz SMA Male to SMA Male



SM-SM-A100-100 Flexible Cable Assembly 100mm DC- 18GHz SMA Male to SMA Male



SM-SM-A100-200 Flexible Cable Assembly 200mm DC- 18GHz SMA Male to SMA Male



SM-SM-A100-300 Flexible Cable Assembly 300mm DC- 18GHz SMA Male to SMA Male



SM-SM-A100-500 Flexible Cable Assembly 500mm DC- 18GHz SMA Male to SMA Male



SM-SM-A100-1000 Flexible Cable Assembly 1000mm DC- 18GHz SMA Male to SMA Male



SM-SM-A100-1500 Flexible Cable Assembly 1500mm DC- 18GHz SMA Male to SMA Male



SM-SM-A100-2000 Flexible Cable Assembly 2000mm DC- 18GHz SMA Male to SMA Male



SM-SM-A100-3000 Flexible Cable Assembly 3000mm DC- 18GHz SMA Male to SMA Male



SM-SM-A100-5000 Flexible Cable Assembly 5000mm DC- 18GHz SMA Male to SMA Male



SM-SM-A100-10000 Flexible Cable Assembly 10000mm DC- 18GHz SMA Male to SMA Male

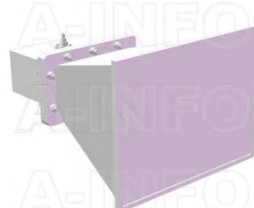
Similar Products



LB-OH-650-10-C-NF Octave Horn Antenna 1-2GHz 10dB Gain N Type Female



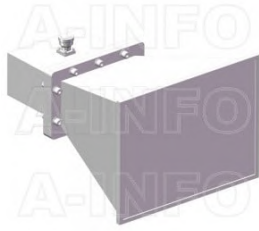
LB-OH-650-10-C-NFSPO Octave Horn Antenna 1-2GHz 10dB Gain N Type Female



LB-OH-650-10-C-SFSPO Octave Horn Antenna 1-2GHz 10dB Gain SMA Female



LB-OH-650-10-C-7/16F Octave Horn Antenna 1-2GHz 10dB Gain 7/16 DIN Female



LB-OH-650-10-C-7/16FSPO
 Octave Horn Antenna 1-2GHz
 10dB Gain 7/16 DIN Female

About this Datasheet

<ul style="list-style-type: none"> ● Product Information Product Link: https://www.ainfoinc.com/lb-oh-650-10-c-sf-octave-horn-antenna-1-2-ghz-10db-gain-sma-female Data subject to change without notice. © A-INFO INC. 2024. All Rights Reserved 	<ul style="list-style-type: none"> ● Contact Us Address: 60 Tesla, Irvine, CA 92618, USA Website: www.ainfoinc.com Email: sales@ainfoinc.com 	<ul style="list-style-type: none"> ● Phone & Fax Phone: +1-949-639-9688 +1-949-639-9608 Fax: +1-949-639-9670
---	---	--