



LB-OH-650-10-C-NFSPO Octave Horn Antenna 1-2GHz 10dB Gain N Type Female

Octave Horn Antenna Operating From 1GHz to 2GHz With a Nominal 10dB Gain With N Type Female Connector

Product Information

| | |
|-----|----------------------|
| SKU | LB-OH-650-10-C-NFSPO |
|-----|----------------------|

Description

Octave horn antenna LB-OH-650-10-C-NFSPO, operating from 1 to 2GHz with a nominal 10dB gain and low VSWR 1.5:1 with N Type Female output connector. The model LB-OH-650-10-C-NFSPO has uniform gain through its frequency span, providing efficient performance characteristics and directionality. It can handle 300W continuously and 3000W peak power. Constructed of lightweight corrosion-resistant aluminum, the horn comes with a specially designed weatherproof radome which provides excellent protection against the rain and dust but has very little loss across the full operating frequency band. This octave horn antenna is linearly polarized and ideally suited for EMI testing, direction finding, surveillance, antenna gain and pattern measurements and other applications.

Technical Specification

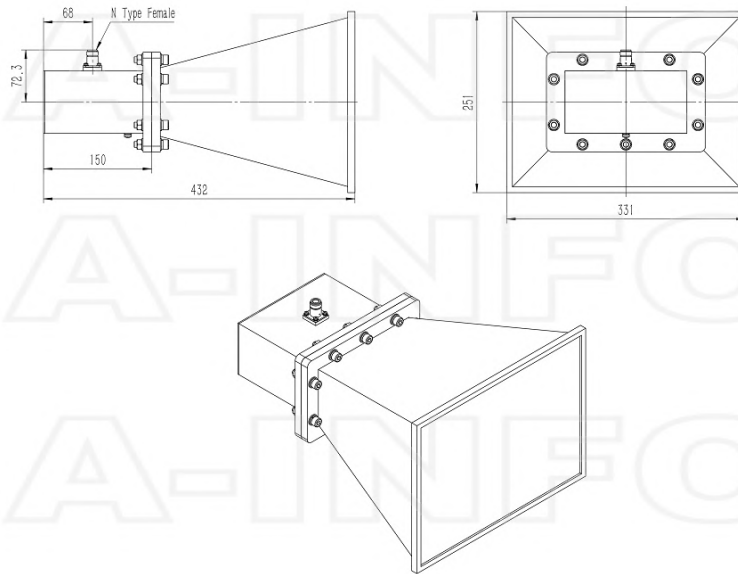
| Electrical Specification | | Interface | |
|------------------------------------|--------|--------------------------|---|
| Frequency, Min (GHz) | 1 | Output Type | Coaxial |
| Frequency, Max (GHz) | 2 | Connector | N Type |
| Gain, Typ (dBi) | 10 | Connector Gender | Female |
| Polarization | Linear | Mechanical Specification | |
| 3dB Beamwidth, E-Plane, Min (Deg.) | 29 | Body Material | Al |
| 3dB Beamwidth, E-Plane, Max (Deg.) | 63 | Finish | Chemical Conversion Coating, Gray Paint |
| 3dB Beamwidth, H-Plane, Min (Deg.) | 29 | Size, W (mm) | 331 |
| 3dB Beamwidth, H-Plane, Max (Deg.) | 65 | Size, H (mm) | 251 |
| Cross Pol. Isolation, Typ (dB) | 35 | Size, L (mm) | 432 |
| VSWR, Typ | 1.5:1 | Weight, (kg) | 4.35 |
| Impedance, (Ohm) | 50 | | |
| Power Handling, CW, (W) | 300 | | |
| Power Handling, Peak, (W) | 3000 | | |

Additional Information

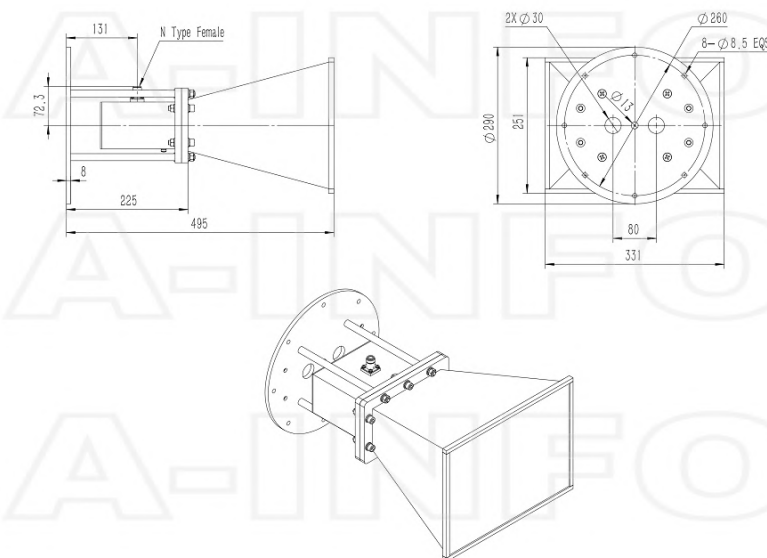
| | | | |
|-------------|--|--------------|---|
| Application | Outdoor, Waterproof and Dustproof, Fixed | Solution for | Gain Reference Antenna Measurement Far-field Measurement System Intergration |
|-------------|--|--------------|---|

Outline Drawing

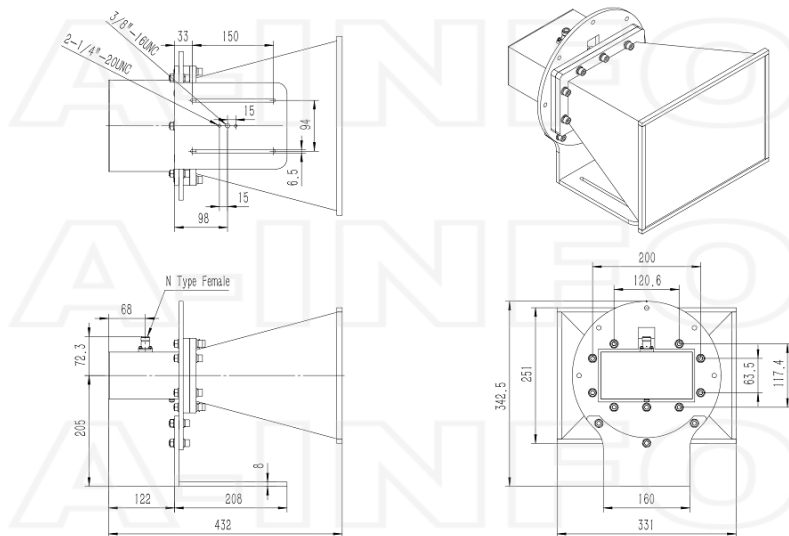
N-Female Output with Radome (Option, P/N: LB-OH-650-10-C-NFSP0, Outdoor Application)



N-Female Output with Round Mounting Bracket & Radome (Option, P/N: LB-650-10-C-MB & LB-OH-650-10-C-NFSP0, Outdoor Application)

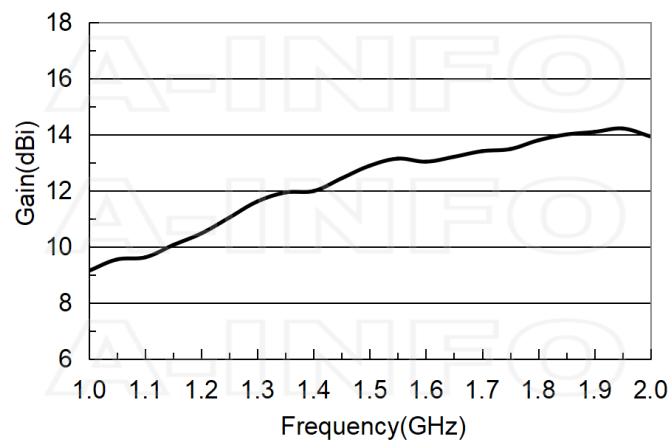


N-Female Output with L Type Mounting Bracket & Radome (Option, P/N: LB-650-10-C-L & LB-OH-650-10-C-NFSPO, Outdoor Application)

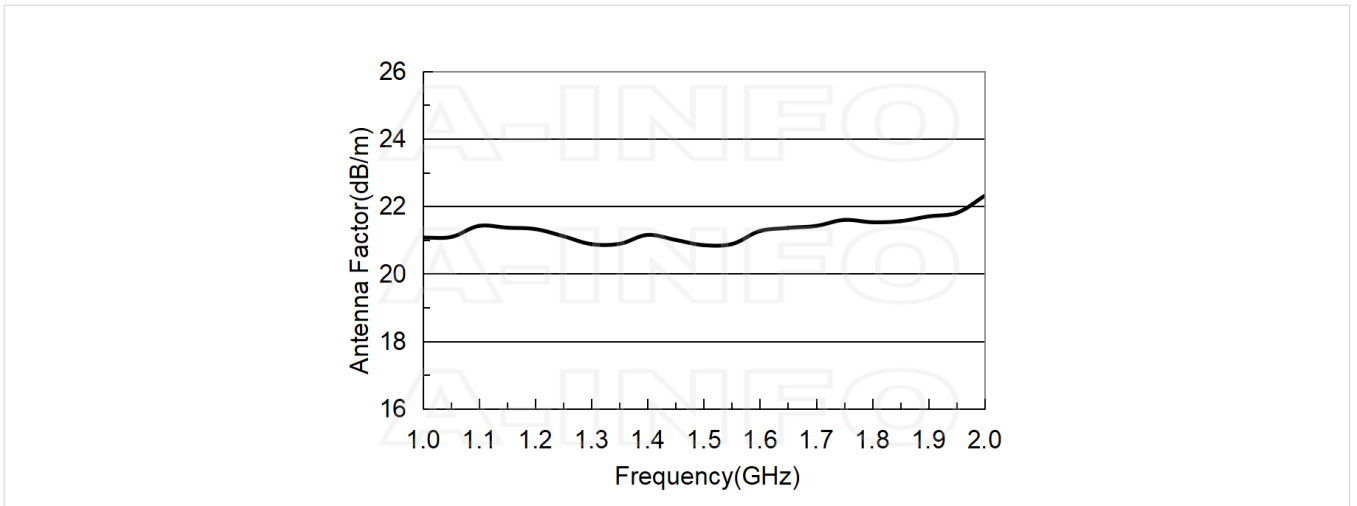


Typical Test Results

Gain



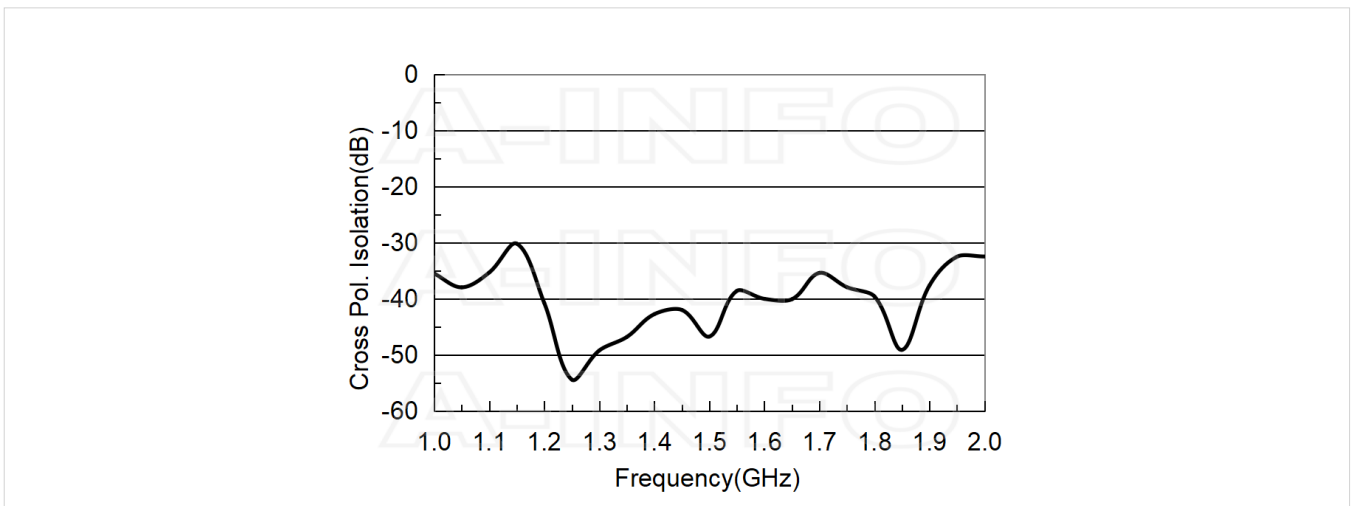
Antenna Factor



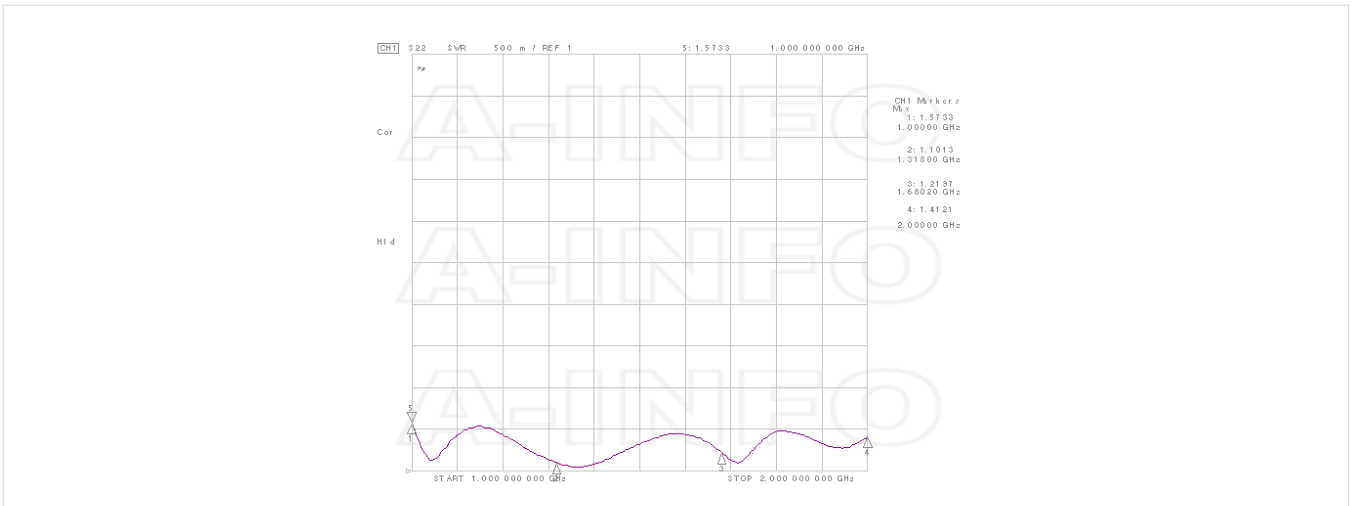
Antenna Factor (Table)

| Frequency(GHz) | Gain(dBi) | AF(dB/m) |
|----------------|-----------|----------|
| 1.0 | 9.14 | 21.07 |
| 1.1 | 9.62 | 21.42 |
| 1.2 | 10.47 | 21.32 |
| 1.3 | 11.61 | 20.88 |
| 1.4 | 11.98 | 21.15 |
| 1.5 | 12.88 | 20.85 |
| 1.6 | 13.03 | 21.26 |
| 1.7 | 13.40 | 21.42 |
| 1.8 | 13.79 | 21.53 |
| 1.9 | 14.09 | 21.70 |
| 2.0 | 13.93 | 22.30 |

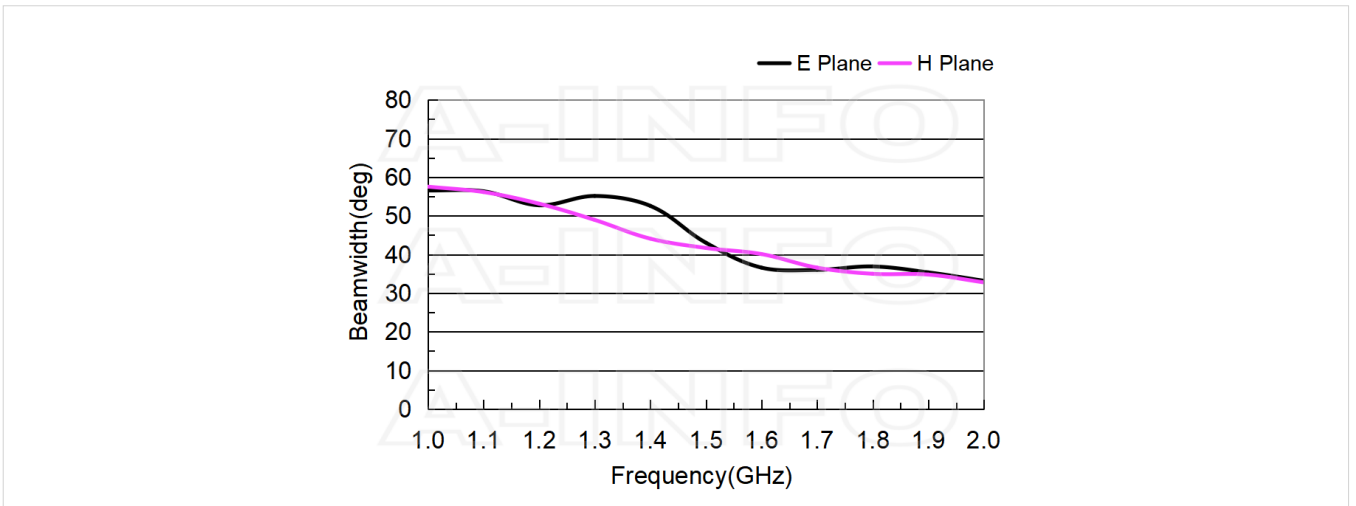
Cross Polarization Isolation



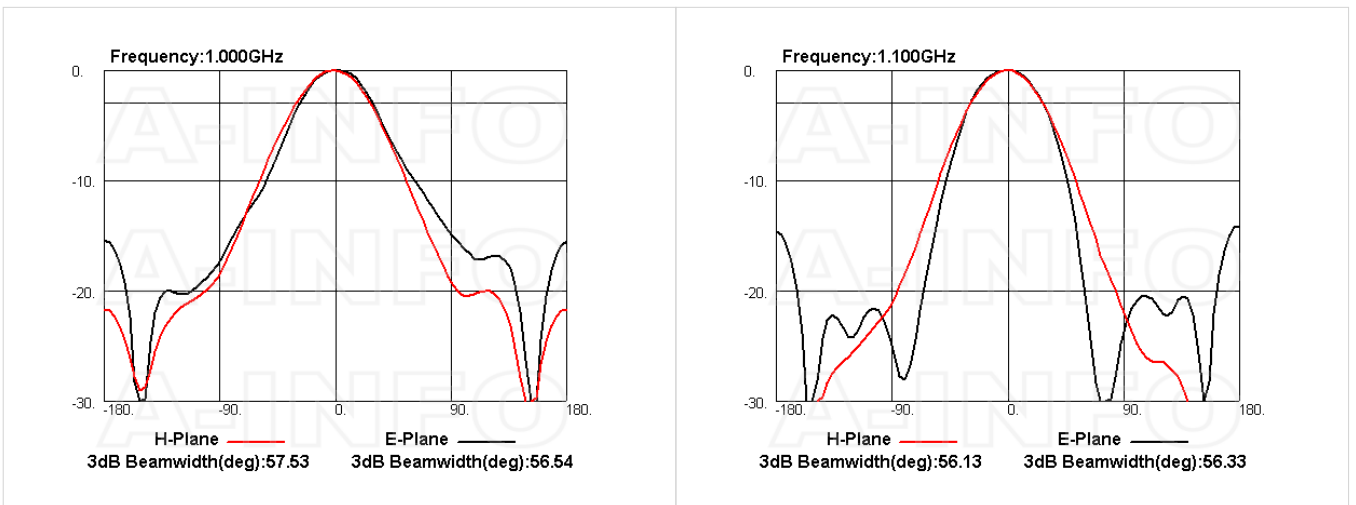
VSWR

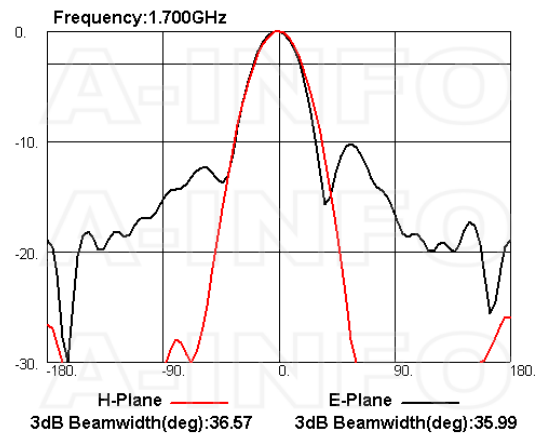
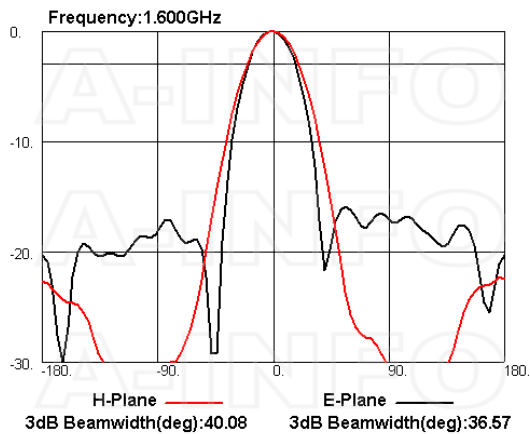
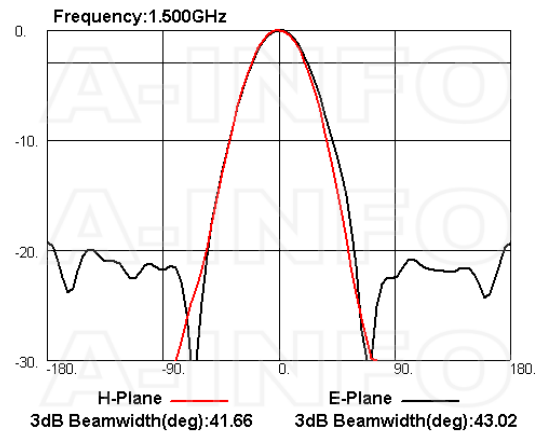
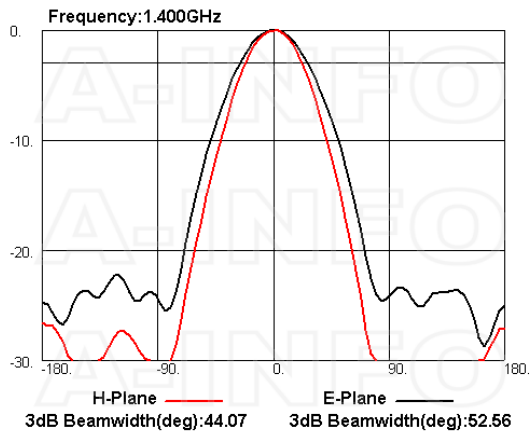
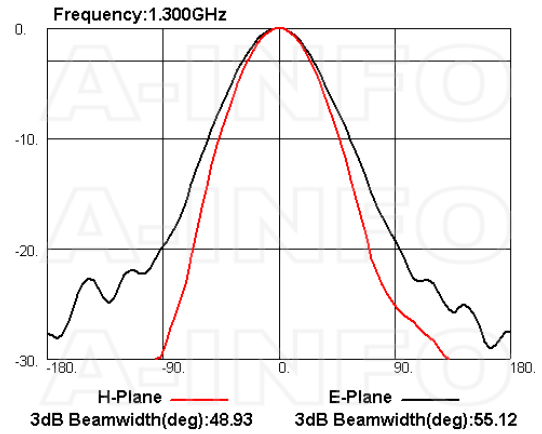
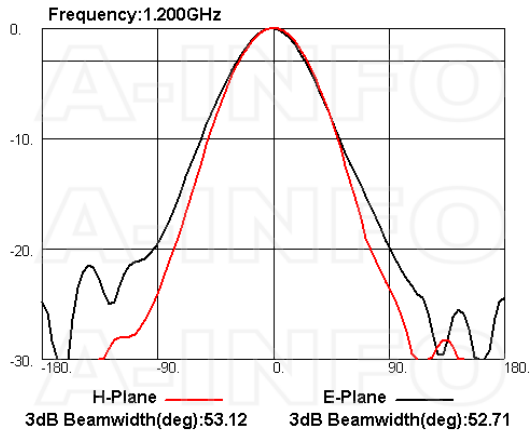


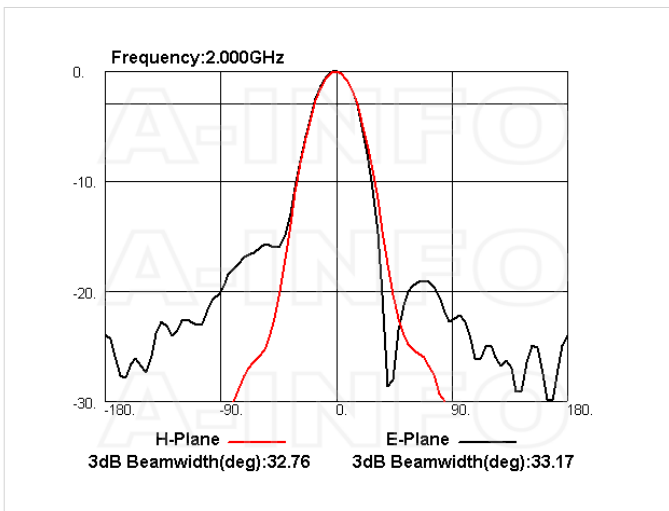
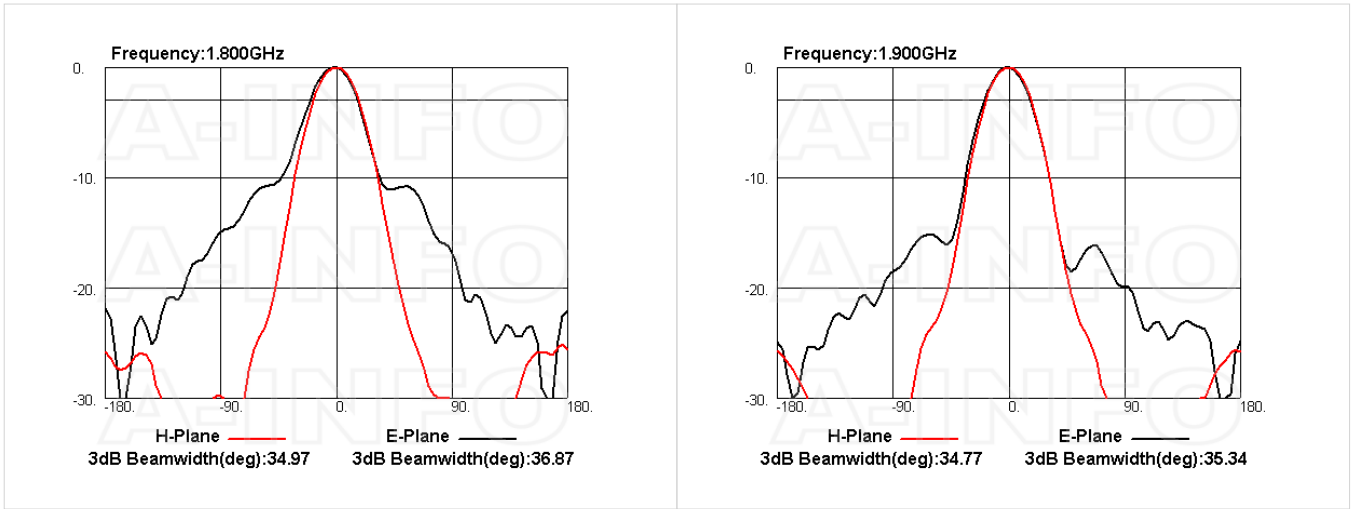
Beamwidth



Pattern







Related Products



LB-650-10-C-MB Round Type Mounting Bracket



LB-650-10-C-L L type mounting bracket



Carrying Case_LB-650-10-C Al Alloy Carrying Case



NM-NM-A050-1000 Flexible Cable Assembly 1000mm DC-18GHz N Male to N Male



NM-NM-A050-1500 Flexible Cable Assembly 1500mm DC-18GHz N Male to N Male



NM-NM-A050-2000 Flexible Cable Assembly 2000mm DC-18GHz N Male to N Male



NM-NM-A050-3000 Flexible Cable Assembly 3000mm DC-18GHz N Male to N Male



NM-NM-A050-5000 Flexible Cable Assembly 5000mm DC-18GHz N Male to N Male



NM-NM-A050-10000 Flexible Cable Assembly 10000mm DC-18GHz N Male to N Male



NM-NM-A050-20000 Flexible Cable Assembly 20000mm DC-18GHz N Male to N Male



NM-NM-A100-500 Flexible Cable Assembly 500mm DC-18GHz N Male to N Male



NM-NM-A100-1000 Flexible Cable Assembly 1000mm DC-18GHz N Male to N Male



NM-NM-A100-1500 Flexible Cable Assembly 1500mm DC-18GHz N Male to N Male



NM-NM-A100-2000 Flexible Cable Assembly 2000mm DC-18GHz N Male to N Male



NM-NM-A100-3000 Flexible Cable Assembly 3000mm DC-18GHz N Male to N Male



NM-NM-A100-5000 Flexible Cable Assembly 5000mm DC-18GHz N Male to N Male



NM-NM-A100-10000 Flexible Cable Assembly 10000mm DC-18GHz N Male to N Male

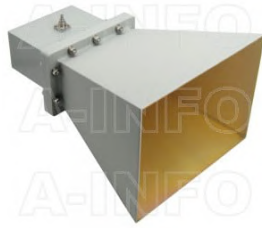


NM-NM-A100-20000 Flexible Cable Assembly 20000mm DC-18GHz N Male to N Male

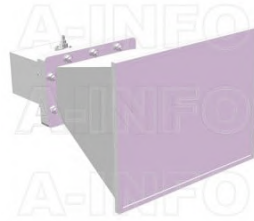
Similar Products



LB-OH-650-10-C-NF Octave Horn Antenna 1-2GHz 10dB Gain N Type Female



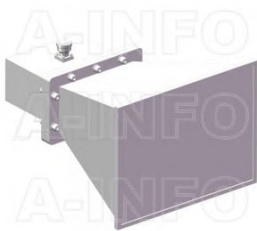
LB-OH-650-10-C-SF Octave Horn Antenna 1-2GHz 10dB Gain SMA Female



LB-OH-650-10-C-SFSPO Octave Horn Antenna 1-2GHz 10dB Gain SMA Female



LB-OH-650-10-C-7/16F Octave Horn Antenna 1-2GHz 10dB Gain 7/16 DIN Female



LB-OH-650-10-C-7/16FSPO Octave Horn Antenna 1-2GHz 10dB Gain 7/16 DIN Female

About this Datasheet

| | | |
|---|--|---|
| <ul style="list-style-type: none"> ● Product Information Product Link: https://www.ainfoinc.com/lb-oh-650-10-c-nfsपो-antenna-1-2-ghz-10db-gain-n-type-female Data subject to change without notice. © A-INFO INC. 2024. All Rights Reserved | <ul style="list-style-type: none"> ● Contact Us Address: 60 Tesla, Irvine, CA 92618, USA Website: www.ainfoinc.com Email: sales@ainfoinc.com | <ul style="list-style-type: none"> ● Phone & Fax Phone: +1-949-639-9688 +1-949-639-9608 Fax: +1-949-639-9670 |
|---|--|---|