



LB-OH-320-15-C-NFSPO Octave Horn Antenna 2-4GHz 15dB Gain N Type Female

Octave Horn Antenna Operating From 2GHz to 4GHz With a Nominal 15dB Gain With N Type Female Connector

Product Information

SKU	LB-OH-320-15-C-NFSPO
-----	----------------------

Description

Octave horn Antenna LB-OH-320-15-C-NFSPO, operating from 2 to 4GHz with a nominal 15dB gain and low VSWR 1.5:1 with N Type Female output connector. The model LB-OH-320-15-C-NFSPO has uniform gain through its frequency span, providing efficient performance characteristics and directionality. It can handle 300W continuously and 3000W peak power. Constructed of lightweight corrosion-resistant aluminum, the horn comes with a specially designed weatherproof radome which provides excellent protection against the rain and dust but has very little loss across the full operating frequency band. This octave horn antenna is linearly polarized and ideally suited for EMI testing, direction finding, surveillance, antenna gain and pattern measurements and other applications.

Technical Specification

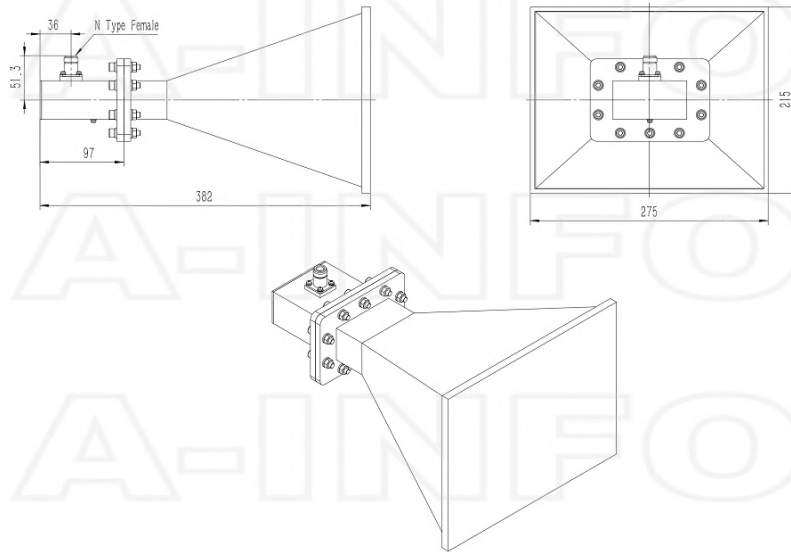
Electrical Specification		Interface	
Frequency, Min (GHz)	2	Output Type	Coaxial
Frequency, Max (GHz)	4	Connector	N Type
Gain, Typ (dBi)	15	Connector Gender	Female
Polarization	Linear	Mechanical Specification	
3dB Beamwidth, E-Plane, Min (Deg.)	21	Body Material	Al
3dB Beamwidth, E-Plane, Max (Deg.)	40	Finish	Chemical Conversion Coating, Gray Paint
3dB Beamwidth, H-Plane, Min (Deg.)	19	Size, W (mm)	275
3dB Beamwidth, H-Plane, Max (Deg.)	35	Size, H (mm)	215
Cross Pol. Isolation, Typ (dB)	40	Size, L (mm)	382
VSWR, Typ	1.5:1	Weight, (kg)	2
Impedance, (Ohm)	50		
Power Handling, CW, (W)	300		
Power Handling, Peak, (W)	3000		

Additional Information

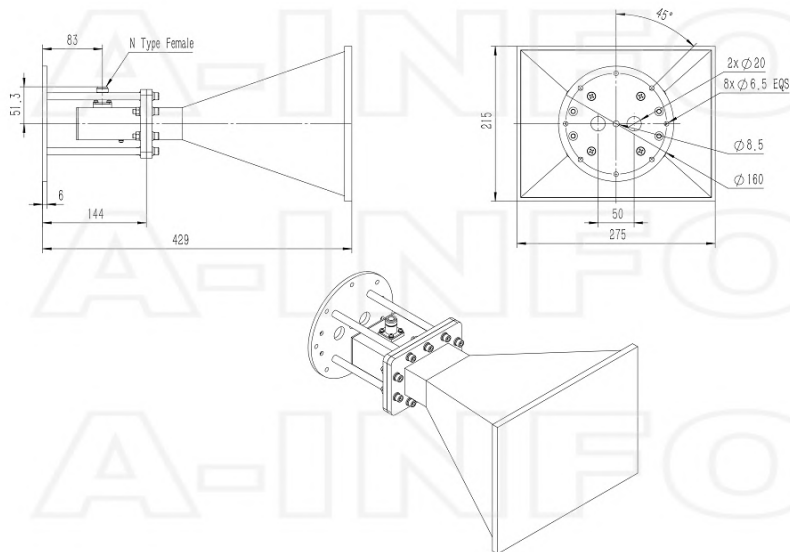
Application	Outdoor, Waterproof and Dustproof, Fixed	Solution for	Gain Reference Antenna Measurement Far-field Measurement System Intergration
-------------	--	--------------	---

Outline Drawing

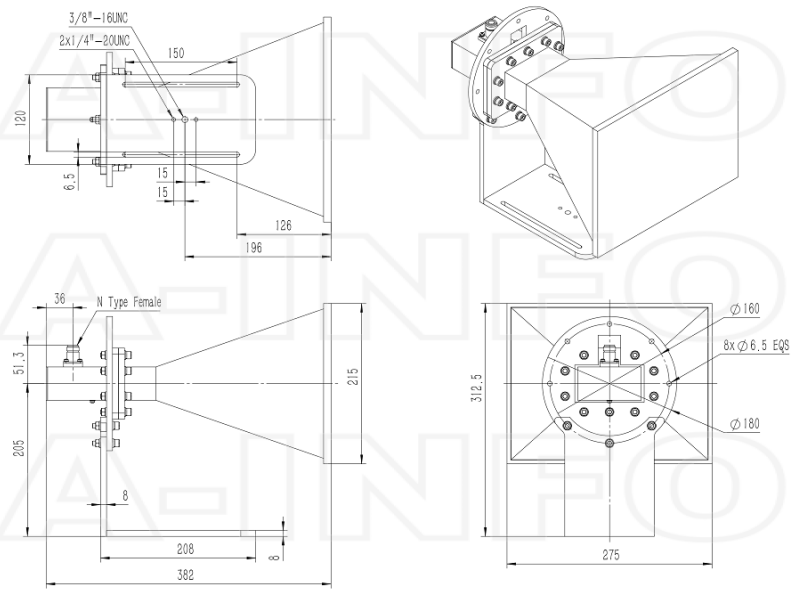
N-Female Output with Radome (Option, P/N: LB-OH-320-15-C-NFSP0, Outdoor Application)



N-Female Output with Round Mounting Bracket & Radome (Option, P/N: LB-340-10-C-MB & LB-OH-320-15-C-NFSP0, Outdoor Application)

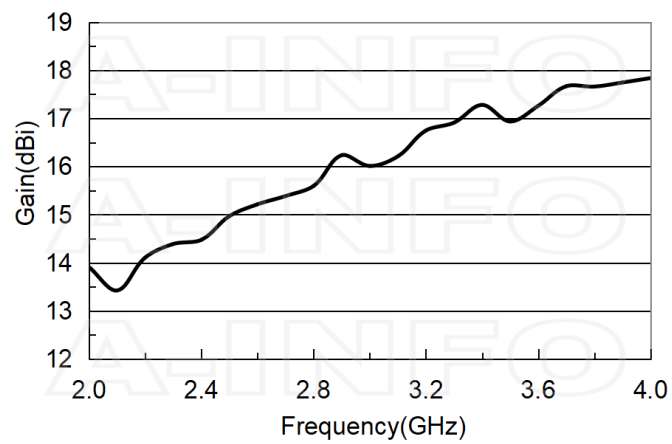


N-Female Output with L Type Mounting Bracket & Radome (Option, P/N: LB-340-10-C-L & LB-OH-320-15-C-NFSPO, Outdoor Application)

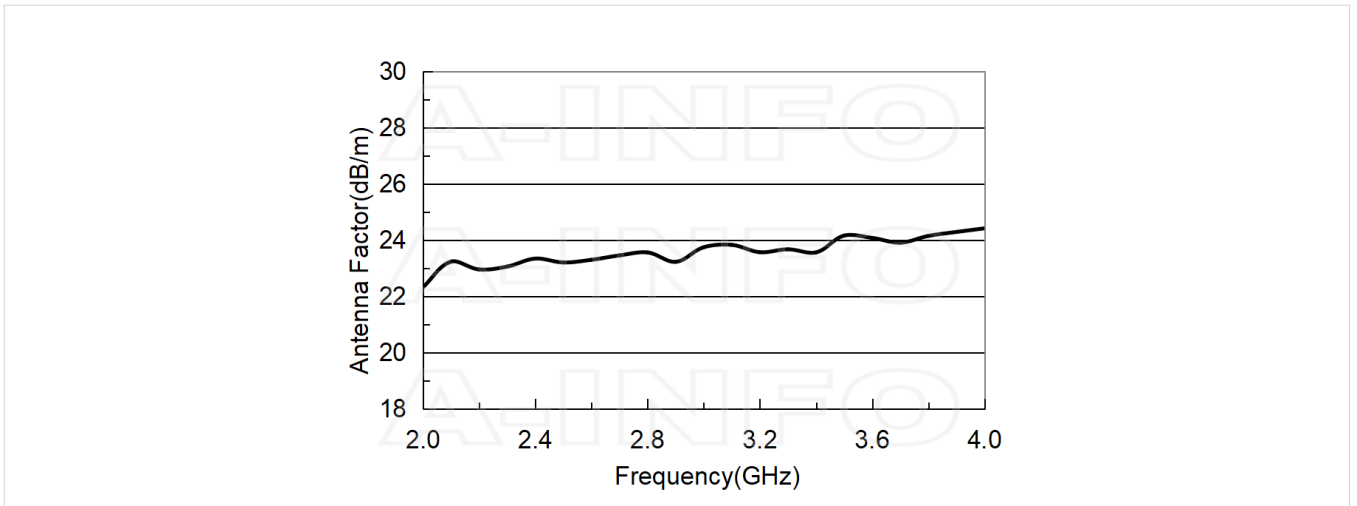


Typical Test Results

Gain



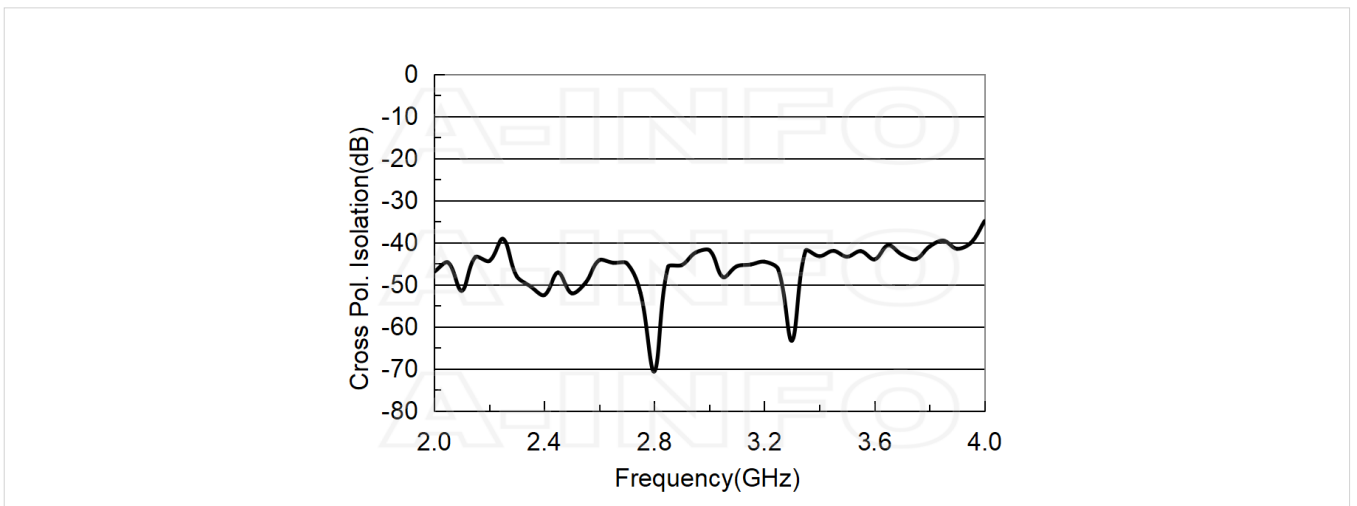
Antenna Factor



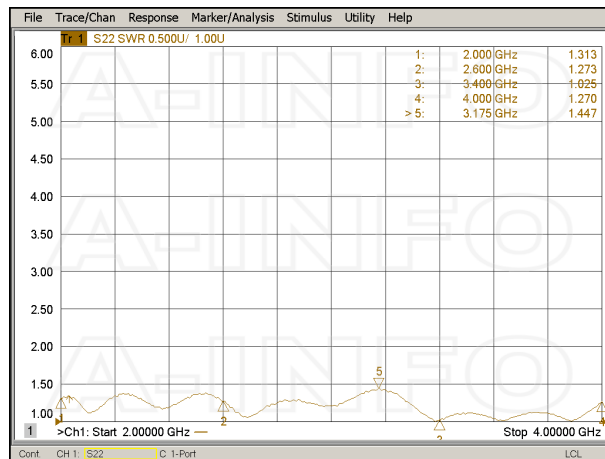
Antenna Factor (Table)

Frequency(GHz)	Gain(dBi)	AF(dB/m)
2.0	13.9	22.3
2.2	14.1	23.0
2.4	14.5	23.3
2.6	15.2	23.3
2.8	15.6	23.6
3.0	16.0	23.7
3.2	16.7	23.6
3.4	17.3	23.6
3.6	17.3	24.1
3.8	17.7	24.1
4.0	17.8	24.4

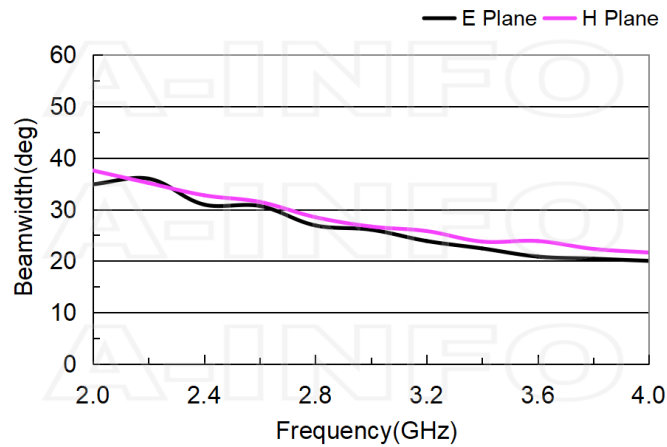
Cross Polarization Isolation



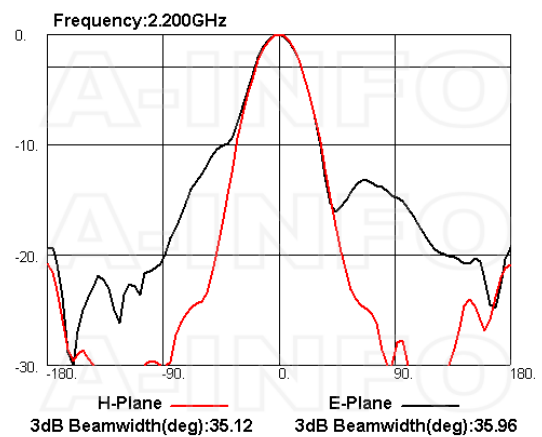
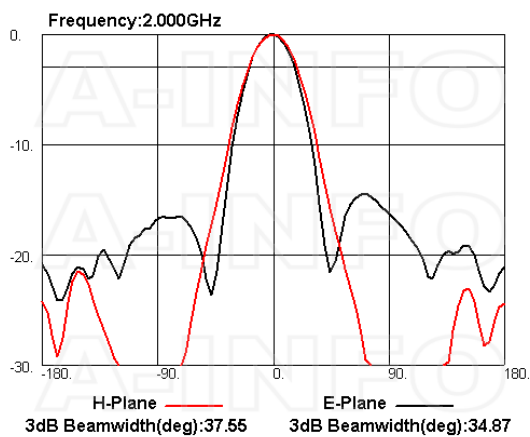
VSWR

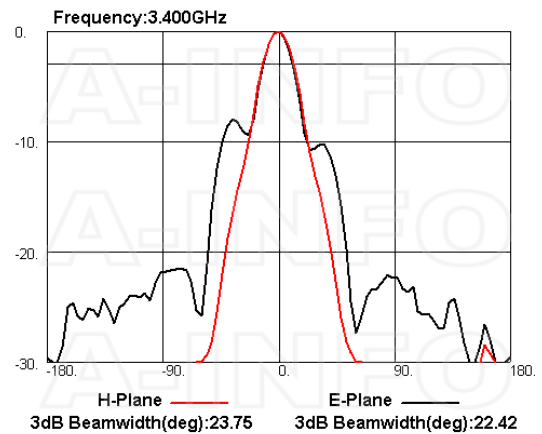
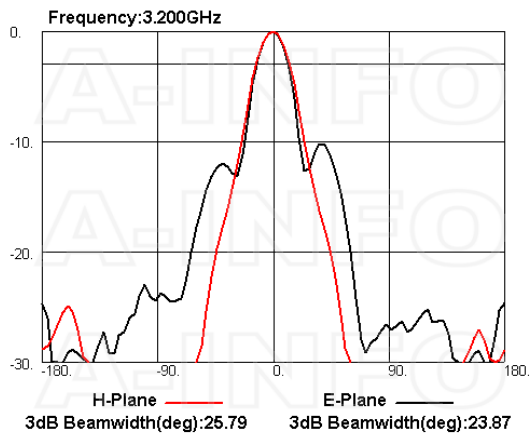
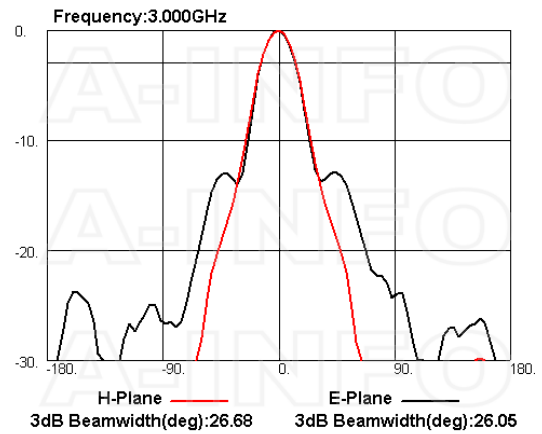
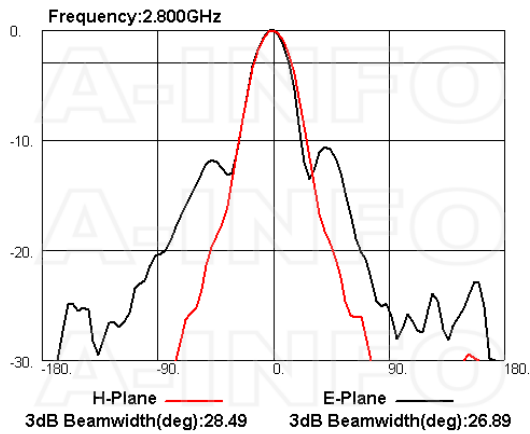
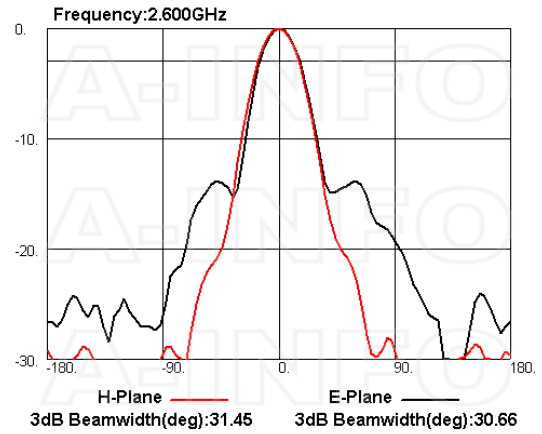
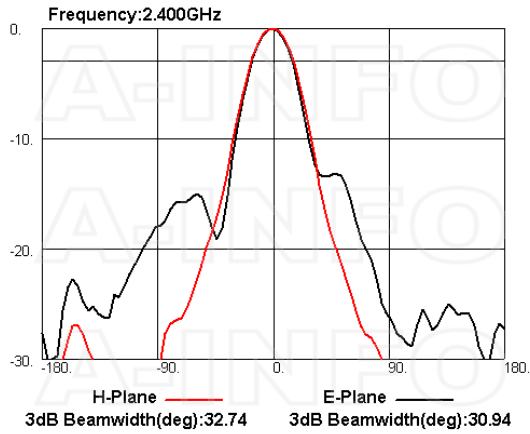


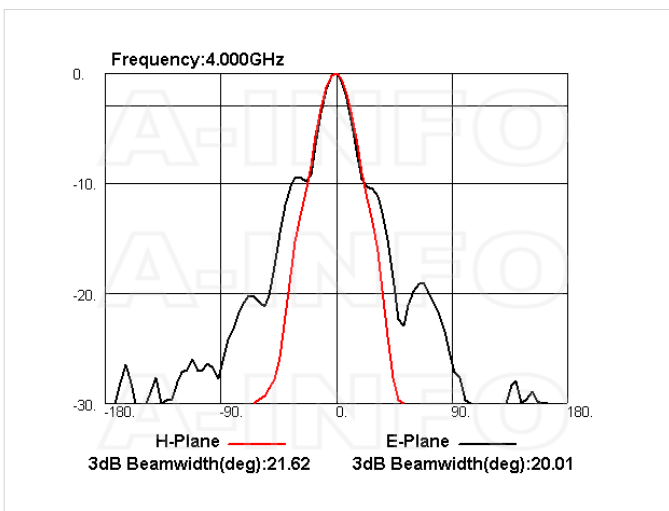
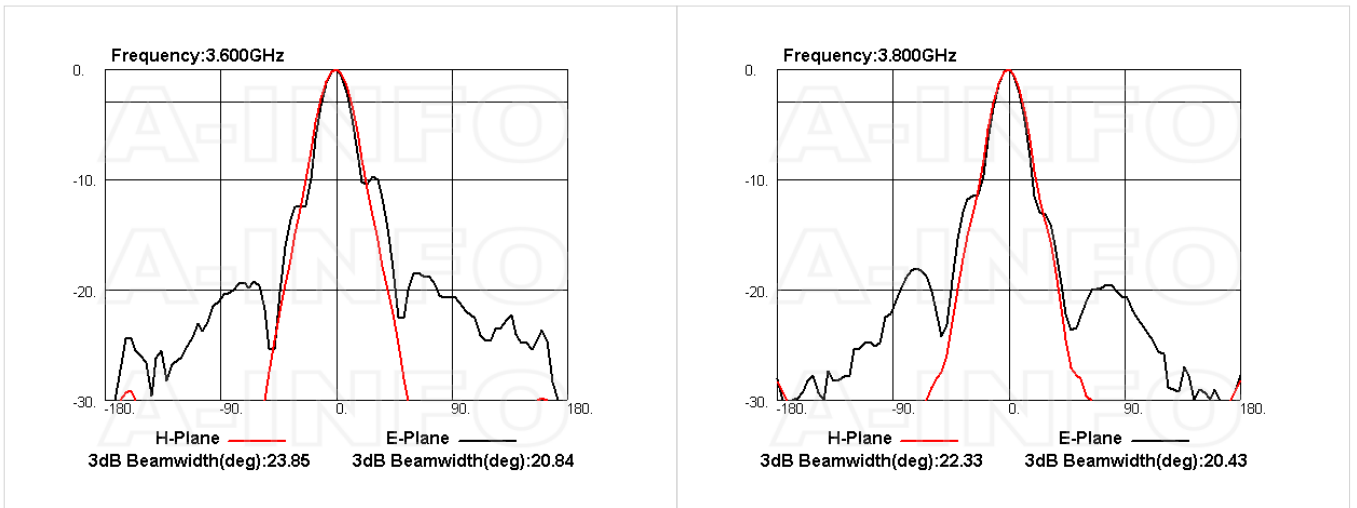
Beamwidth



Pattern







Related Products



LB-340-10-C-MB Round Type Mounting Bracket



LB-340-10-C-L L type mounting bracket



LB-340-10-C-MA Stinger Type Mounting Bracket



Tripod_50Kg Al Alloy Tripod



Carrying Case_LB-OH-320-15-C
Al Alloy Carrying Case



NM-NM-A050-1000 Flexible
Cable Assembly 1000mm DC-
18GHz N Male to N Male



NM-NM-A050-1500 Flexible
Cable Assembly 1500mm DC-
18GHz N Male to N Male



NM-NM-A050-2000 Flexible
Cable Assembly 2000mm DC-
18GHz N Male to N Male



NM-NM-A050-3000 Flexible
Cable Assembly 3000mm DC-
18GHz N Male to N Male



NM-NM-A050-5000 Flexible
Cable Assembly 5000mm DC-
18GHz N Male to N Male



NM-NM-A050-10000 Flexible
Cable Assembly 10000mm DC-
18GHz N Male to N Male



NM-NM-A050-20000 Flexible
Cable Assembly 20000mm DC-
18GHz N Male to N Male



NM-NM-A100-500 Flexible Cable
Assembly 500mm DC- 18GHz N
Male to N Male



NM-NM-A100-1000 Flexible
Cable Assembly 1000mm DC-
18GHz N Male to N Male



NM-NM-A100-1500 Flexible
Cable Assembly 1500mm DC-
18GHz N Male to N Male



NM-NM-A100-2000 Flexible
Cable Assembly 2000mm DC-
18GHz N Male to N Male



NM-NM-A100-3000 Flexible
Cable Assembly 3000mm DC-
18GHz N Male to N Male



NM-NM-A100-5000 Flexible
Cable Assembly 5000mm DC-
18GHz N Male to N Male

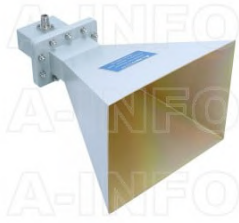


NM-NM-A100-10000 Flexible
Cable Assembly 10000mm DC-
18GHz N Male to N Male

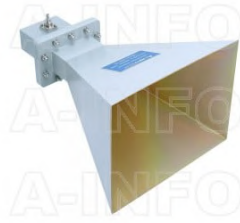


NM-NM-A100-20000 Flexible
Cable Assembly 20000mm DC-
18GHz N Male to N Male

Similar Products



LB-OH-320-15-C-NF Octave Horn Antenna 2-4GHz 15dB Gain N Type Female



LB-OH-320-15-C-SF Octave Horn Antenna 2-4GHz 15dB Gain SMA Female



LB-OH-320-15-C-SFSPPO Octave Horn Antenna 2-4GHz 15dB Gain SMA Female

About this Datasheet

<ul style="list-style-type: none"> ● Product Information Product Link: https://www.ainfoinc.com/lb-oh-320-15-c-nfspo-octave-horn-antenna-2-4-ghz-15db-gain-n-type-female Data subject to change without notice. © A-INFO INC. 2024. All Rights Reserved 	<ul style="list-style-type: none"> ● Contact Us Address: 60 Tesla, Irvine, CA 92618, USA Website: www.ainfoinc.com Email: sales@ainfoinc.com 	<ul style="list-style-type: none"> ● Phone & Fax Phone: +1-949-639-9688 +1-949-639-9608 Fax: +1-949-639-9670
---	--	--