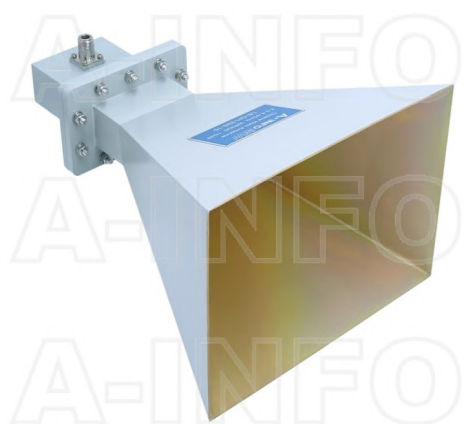


LB-OH-320-15-C-NF Octave Horn Antenna 2-4GHz 15dB Gain N Type Female



Octave Horn Antenna Operating From 2GHz to 4GHz With a Nominal 15dB Gain With N Type Female Connector

### Product Information

SKU	LB-OH-320-15-C-NF
-----	-------------------

### Description

Octave horn Antenna LB-OH-320-15-C-NF, operating from 2 to 4GHz with a nominal 15dB gain and low VSWR 1.5:1 with N Type Female output connector. The model LB-OH-320-15-C-NF has uniform gain through its frequency span, providing efficient performance characteristics and directionality. It can handle 300W continuously and 3000W peak power. Constructed of lightweight corrosion-resistant aluminum, the antenna will provide years of trouble-free indoor and outdoor service. This octave horn antenna is linearly polarized and ideally suited for EMI testing, direction finding, surveillance, antenna gain and pattern measurements and other applications.

### Technical Specification

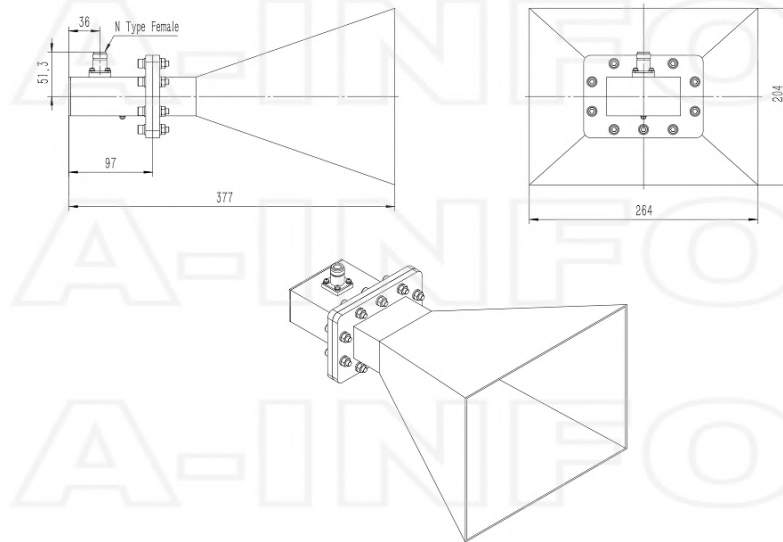
Electrical Specification		Interface	
Frequency, Min (GHz)	2	Output Type	Coaxial
Frequency, Max (GHz)	4	Connector	N Type
Gain, Typ (dBi)	15	Connector Gender	Female
Polarization	Linear	Mechanical Specification	
3dB Beamwidth, E-Plane, Min (Deg.)	21	Body Material	Al
3dB Beamwidth, E-Plane, Max (Deg.)	40	Finish	Chemical Conversion Coating, Gray Paint
3dB Beamwidth, H-Plane, Min (Deg.)	19	Size, W (mm)	264
3dB Beamwidth, H-Plane, Max (Deg.)	35	Size, H (mm)	204
Cross Pol. Isolation, Typ (dB)	40	Size, L (mm)	377
VSWR, Typ	1.5:1	Weight, (kg)	1.6
Impedance, (Ohm)	50		
Power Handling, CW, (W)	300		
Power Handling, Peak, (W)	3000		

## Additional Information

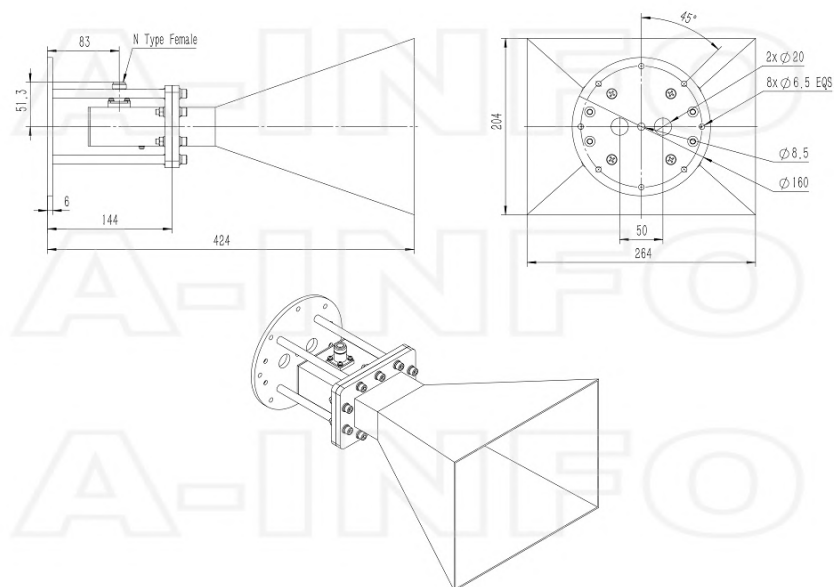
Application	General Purpose Indoor & Outdoor, Fixed	Solution for	Gain Reference Antenna Measurement Far-field Measurement System Intergration
-------------	---	--------------	---

## Outline Drawing

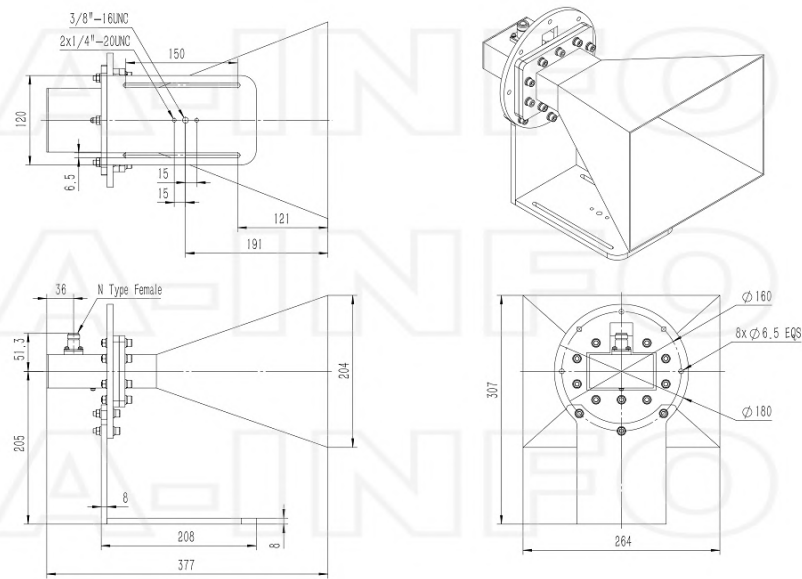
N-Female Output (P/N: LB-OH-320-15-C-NF)



N-Female Output with Round Mounting Bracket (Option, P/N: LB-340-10-C-MB)

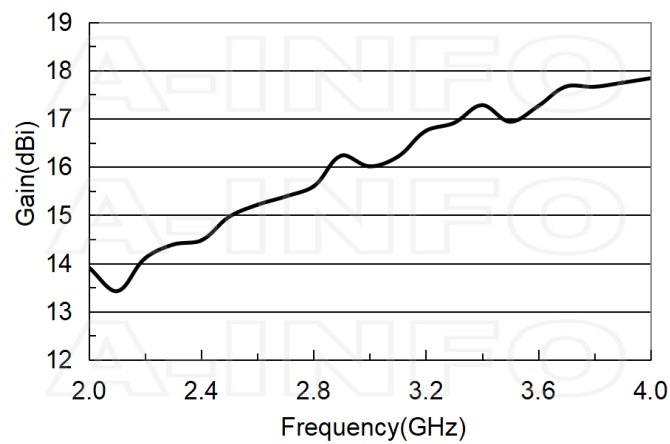


N-Female Output with L Type Mounting Bracket (Option, P/N: LB-340-10-C-L)

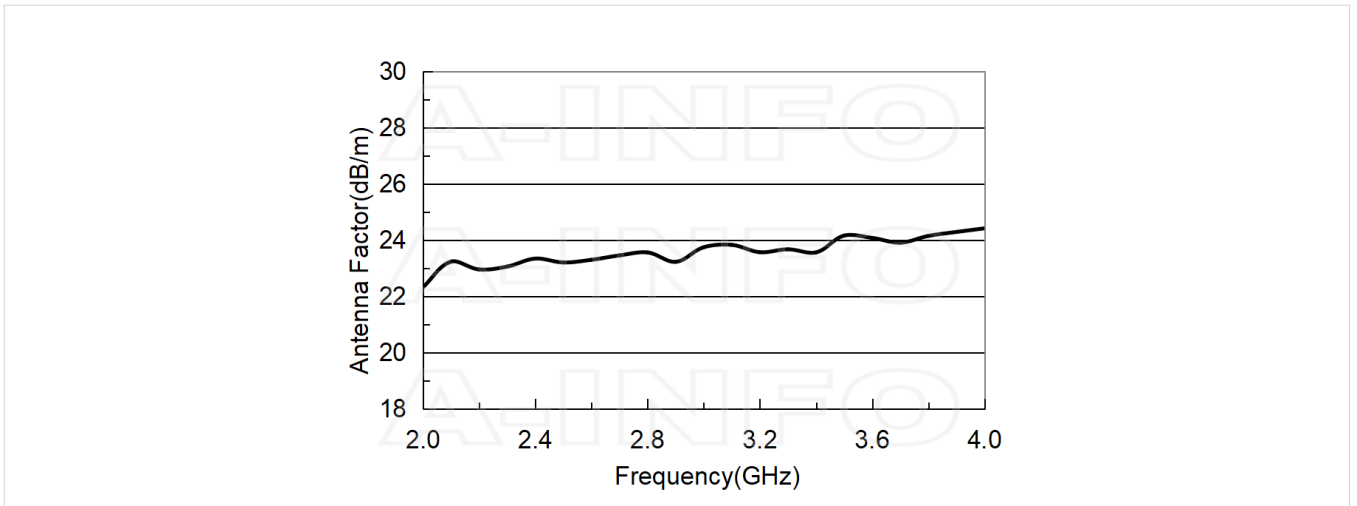


## Typical Test Results

### Gain



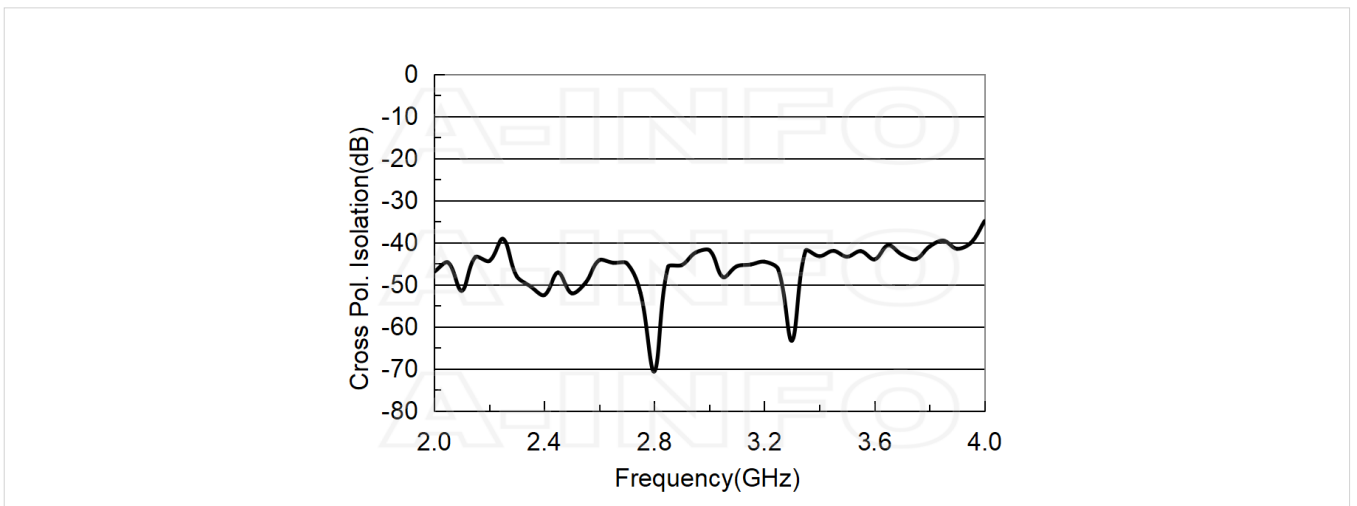
## Antenna Factor



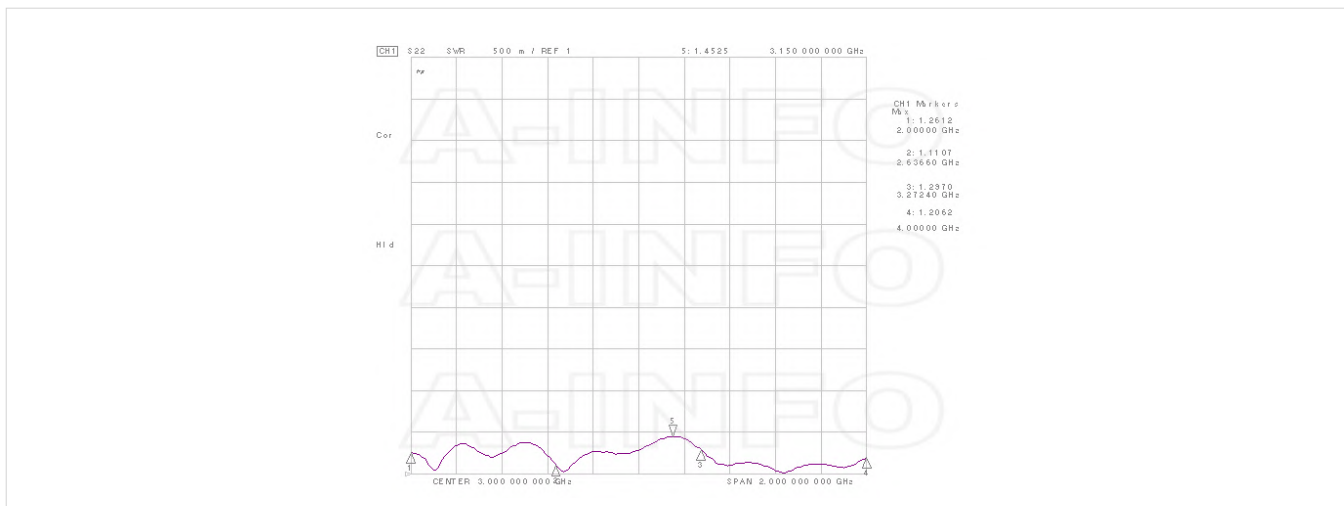
## Antenna Factor (Table)

Frequency(GHz)	Gain(dBi)	AF(dB/m)
2.0	13.9	22.3
2.2	14.1	23.0
2.4	14.5	23.3
2.6	15.2	23.3
2.8	15.6	23.6
3.0	16.0	23.7
3.2	16.7	23.6
3.4	17.3	23.6
3.6	17.3	24.1
3.8	17.7	24.1
4.0	17.8	24.4

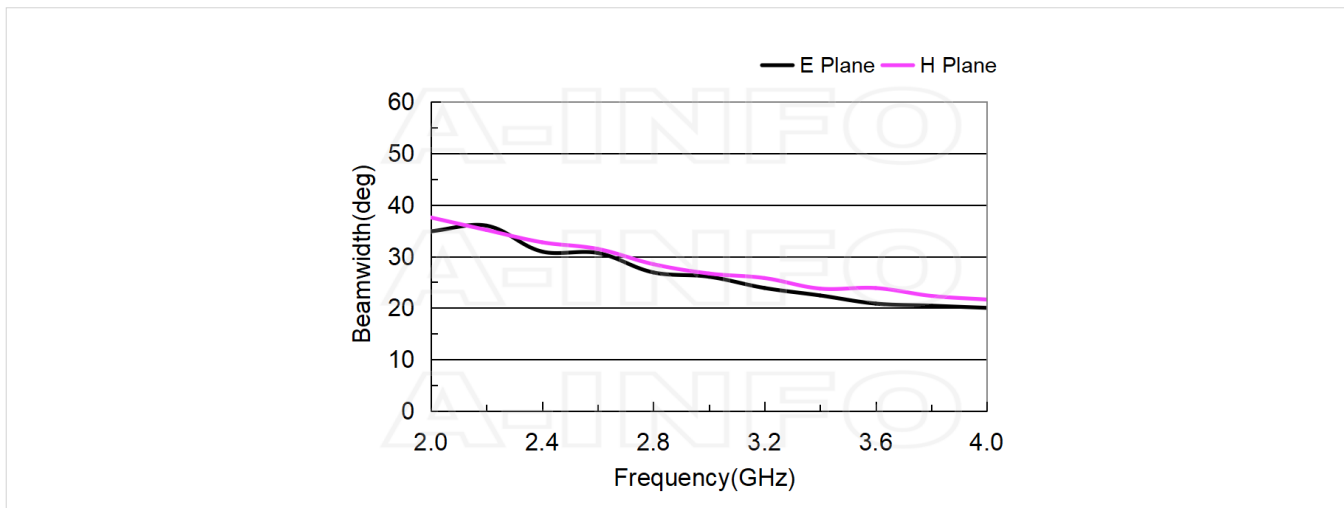
## Cross Polarization Isolation



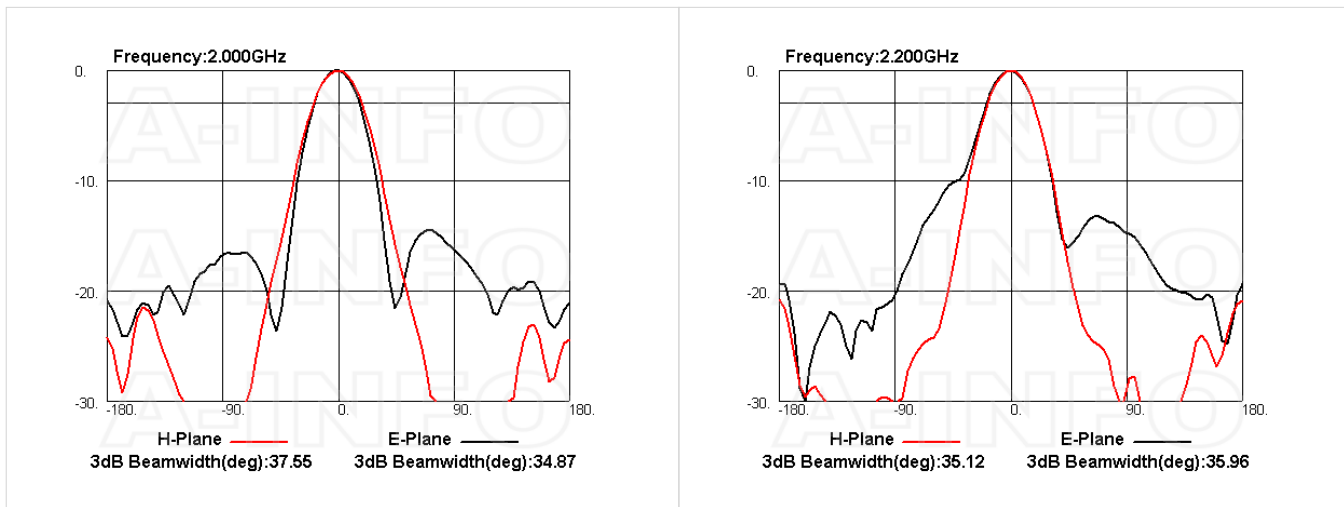
## VSWR

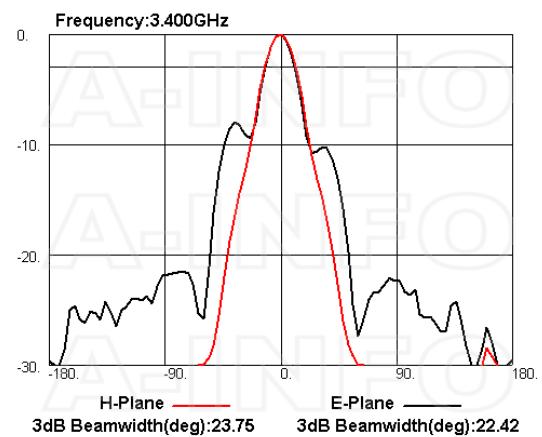
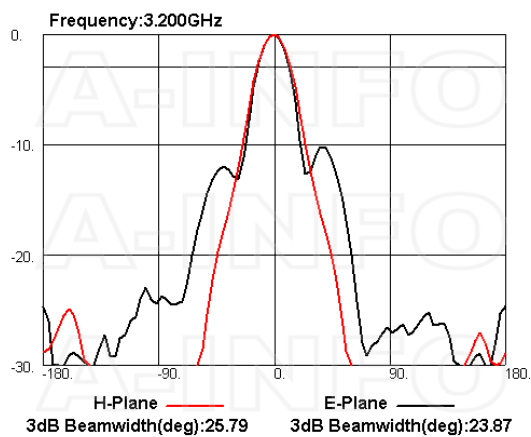
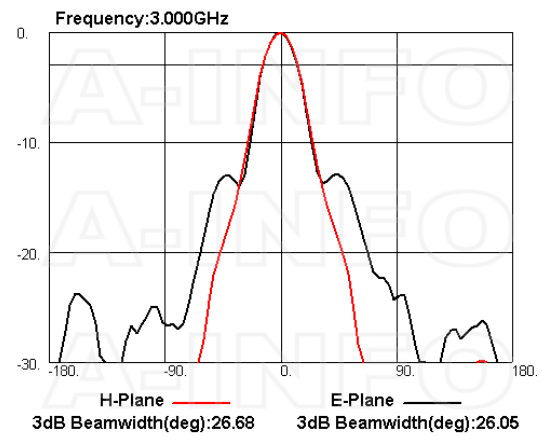
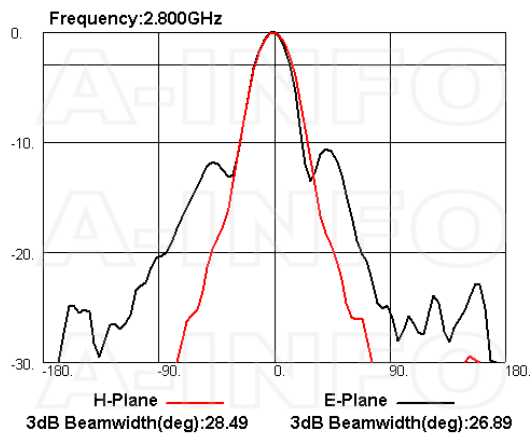
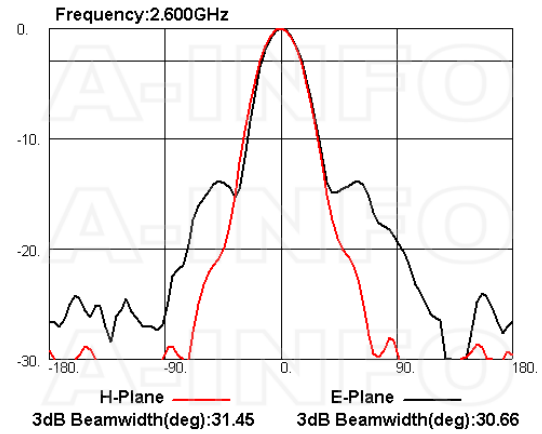
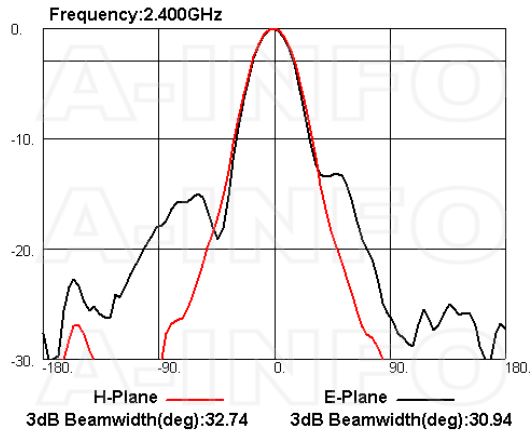


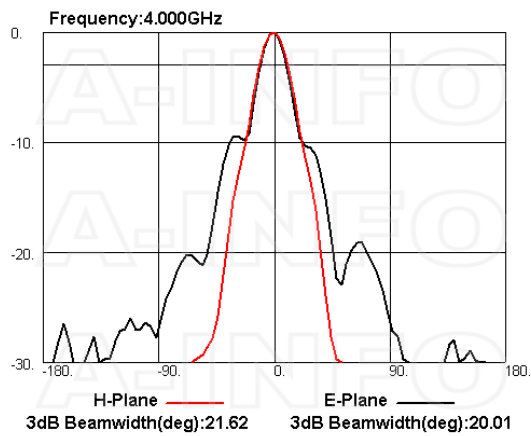
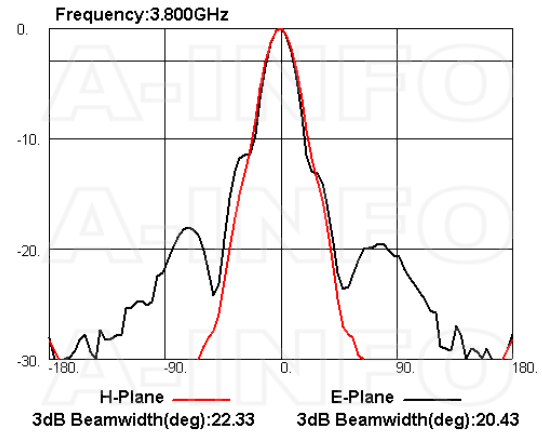
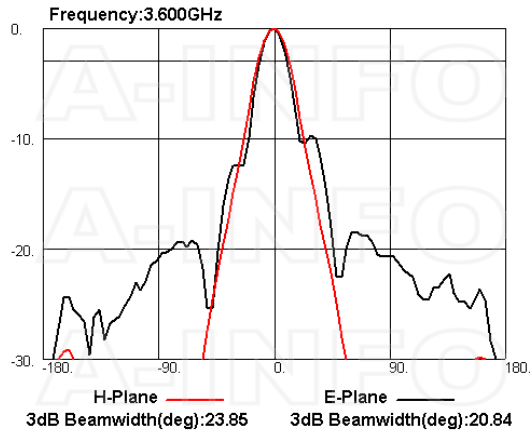
## Beamwidth



## Pattern







## Related Products



LB-340-10-C-MB Round Type Mounting Bracket



LB-340-10-C-L L type mounting bracket



LB-340-10-C-MA Stinger Type Mounting Bracket



Tripod\_50Kg Al Alloy Tripod



Carrying Case\_LB-OH-320-15-C  
Al Alloy Carrying Case



NM-NM-A050-1000 Flexible  
Cable Assembly 1000mm DC-  
18GHz N Male to N Male



NM-NM-A050-1500 Flexible  
Cable Assembly 1500mm DC-  
18GHz N Male to N Male



NM-NM-A050-2000 Flexible  
Cable Assembly 2000mm DC-  
18GHz N Male to N Male



NM-NM-A050-3000 Flexible  
Cable Assembly 3000mm DC-  
18GHz N Male to N Male



NM-NM-A050-5000 Flexible  
Cable Assembly 5000mm DC-  
18GHz N Male to N Male



NM-NM-A050-10000 Flexible  
Cable Assembly 10000mm DC-  
18GHz N Male to N Male



NM-NM-A050-20000 Flexible  
Cable Assembly 20000mm DC-  
18GHz N Male to N Male



NM-NM-A100-500 Flexible Cable  
Assembly 500mm DC- 18GHz N  
Male to N Male



NM-NM-A100-1000 Flexible  
Cable Assembly 1000mm DC-  
18GHz N Male to N Male



NM-NM-A100-1500 Flexible  
Cable Assembly 1500mm DC-  
18GHz N Male to N Male



NM-NM-A100-2000 Flexible  
Cable Assembly 2000mm DC-  
18GHz N Male to N Male



NM-NM-A100-3000 Flexible  
Cable Assembly 3000mm DC-  
18GHz N Male to N Male



NM-NM-A100-5000 Flexible  
Cable Assembly 5000mm DC-  
18GHz N Male to N Male



NM-NM-A100-10000 Flexible  
Cable Assembly 10000mm DC-  
18GHz N Male to N Male

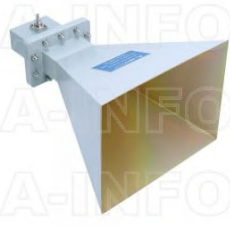


NM-NM-A100-20000 Flexible  
Cable Assembly 20000mm DC-  
18GHz N Male to N Male

## Similar Products



LB-OH-320-15-C-NFSPO Octave Horn Antenna 2-4GHz 15dB Gain N Type Female



LB-OH-320-15-C-SF Octave Horn Antenna 2-4GHz 15dB Gain SMA Female



LB-OH-320-15-C-SFSPO Octave Horn Antenna 2-4GHz 15dB Gain SMA Female

## About this Datasheet

<ul style="list-style-type: none"> <li>● <b>Product Information</b> Product Link: <a href="https://www.ainfoinc.com/lb-oh-320-15-c-nf-octave-horn-antenna-2-4-ghz-15db-gain-n-type-female">https://www.ainfoinc.com/lb-oh-320-15-c-nf-octave-horn-antenna-2-4-ghz-15db-gain-n-type-female</a> Data subject to change without notice. © A-INFO INC. 2024. All Rights Reserved</li> </ul>	<ul style="list-style-type: none"> <li>● <b>Contact Us</b> Address: 60 Tesla, Irvine, CA 92618, USA Website: <a href="http://www.ainfoinc.com">www.ainfoinc.com</a> Email: <a href="mailto:sales@ainfoinc.com">sales@ainfoinc.com</a></li> </ul>	<ul style="list-style-type: none"> <li>● <b>Phone &amp; Fax</b> Phone: +1-949-639-9688 +1-949-639-9608 Fax: +1-949-639-9670</li> </ul>
---	--	--