

LB-OH-159-10-C-SF Octave Horn Antenna 4-8GHz 10dB Gain SMA Female



Octave Horn Antenna Operating From 4GHz to 8GHz With a Nominal 10dB Gain With SMA Female Connector

Product Information

| | |
|-----|-------------------|
| SKU | LB-OH-159-10-C-SF |
|-----|-------------------|

Description

Octave horn Antenna LB-OH-159-10-C-SF, operating from 4 to 8GHz with a nominal 10dB gain and low VSWR 1.5:1 with SMA Female output connector. The model LB-OH-159-10-C-SF has uniform gain through its frequency span, providing efficient performance characteristics and directionality. It can handle 50W continuously and 3000W peak power. Constructed of lightweight corrosion-resistant aluminum, the antenna will provide years of trouble-free indoor and outdoor service. This octave horn antenna is linearly polarized and ideally suited for EMI testing, direction finding, surveillance, antenna gain and pattern measurements and other applications.

Technical Specification

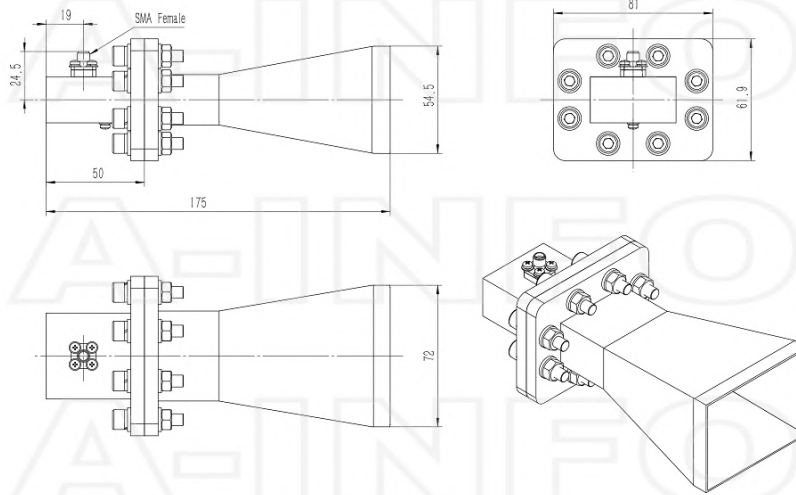
| Electrical Specification | | Interface | |
|------------------------------------|--------|--------------------------|---|
| Frequency, Min (GHz) | 4 | Output Type | Coaxial |
| Frequency, Max (GHz) | 8 | Connector | SMA |
| Gain, Typ (dBi) | 10 | Connector Gender | Female |
| Polarization | Linear | Mechanical Specification | |
| 3dB Beamwidth, E-Plane, Min (Deg.) | 29 | Body Material | Al |
| 3dB Beamwidth, E-Plane, Max (Deg.) | 89 | Finish | Chemical Conversion Coating, Gray Paint |
| 3dB Beamwidth, H-Plane, Min (Deg.) | 31 | Size, W (mm) | 81 |
| 3dB Beamwidth, H-Plane, Max (Deg.) | 75 | Size, H (mm) | 61.9 |
| Cross Pol. Isolation, Typ (dB) | 25 | Size, L (mm) | 175 |
| VSWR, Typ | 1.5:1 | Weight, (kg) | 0.35 |
| Impedance, (Ohm) | 50 | | |
| Power Handling, CW, (W) | 50 | | |
| Power Handling, Peak, (W) | 3000 | | |

Additional Information

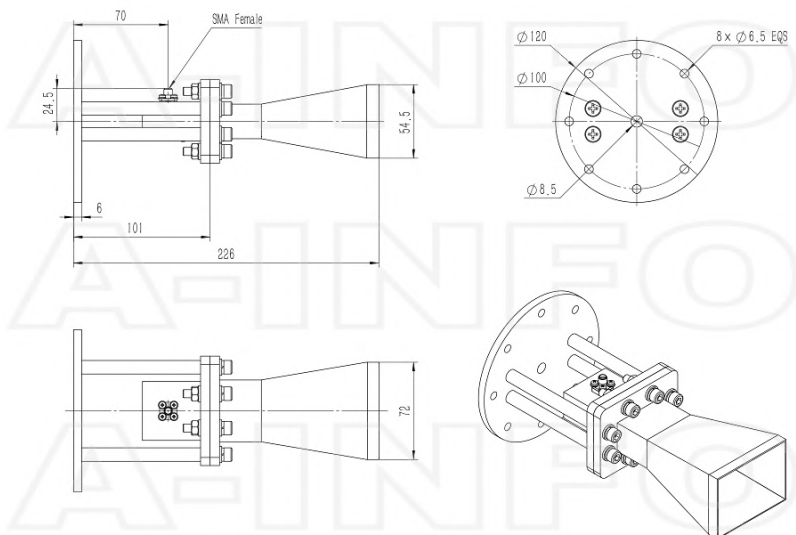
| | | | |
|-------------|---|--------------|---|
| Application | General Purpose Indoor & Outdoor, Fixed | Solution for | Gain Reference Antenna Measurement Far-field Measurement System Intergration |
|-------------|---|--------------|---|

Outline Drawing

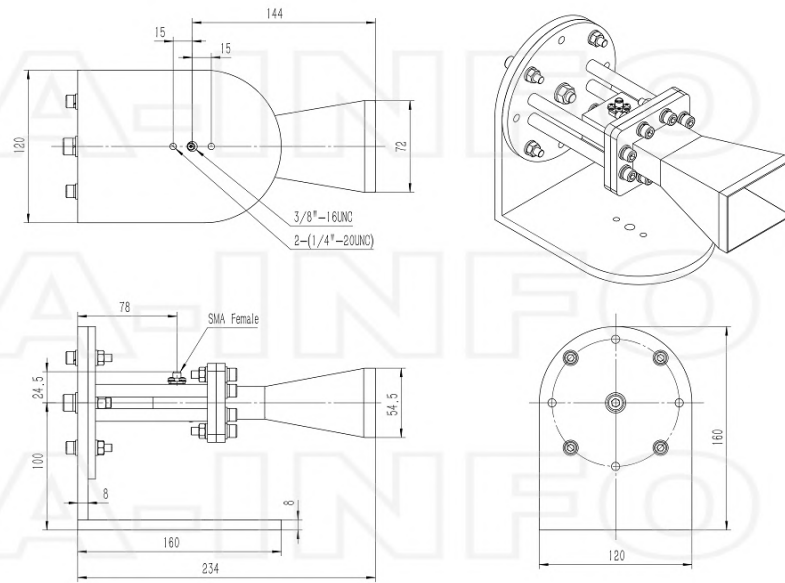
SMA-Female Output (P/N: LB-OH-159-10-C-SF)



SMA-Female Output with Round Mounting Bracket (Option, P/N: LB-159-10-C-MB)

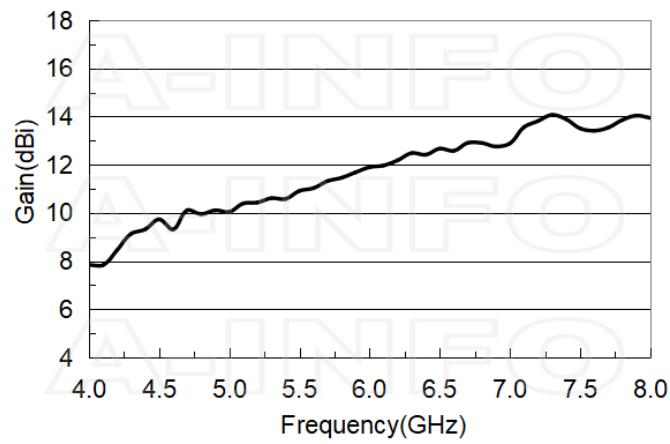


SMA-Female Output with L Type Mounting Bracket (Option, P/N: LB-159-10-C-MBL)

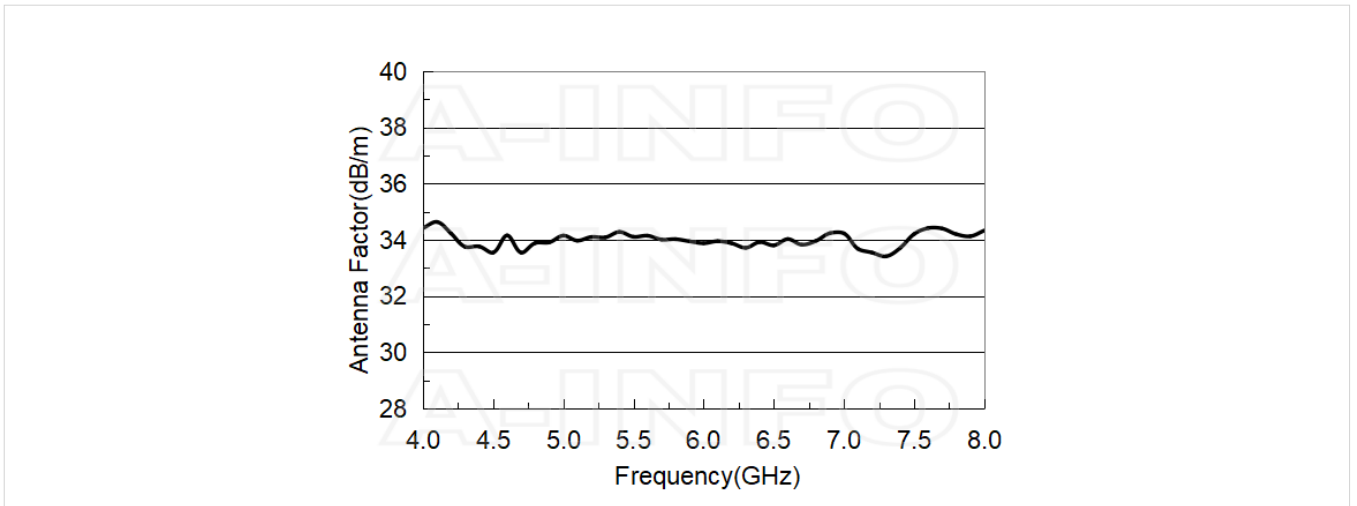


Typical Test Results

Gain



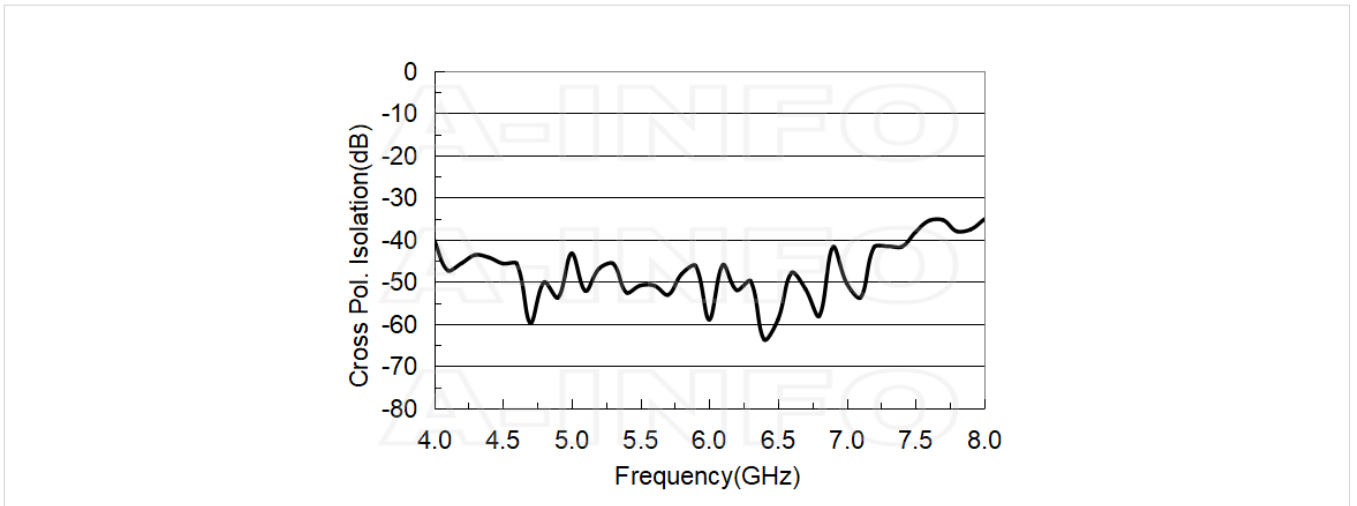
Antenna Factor



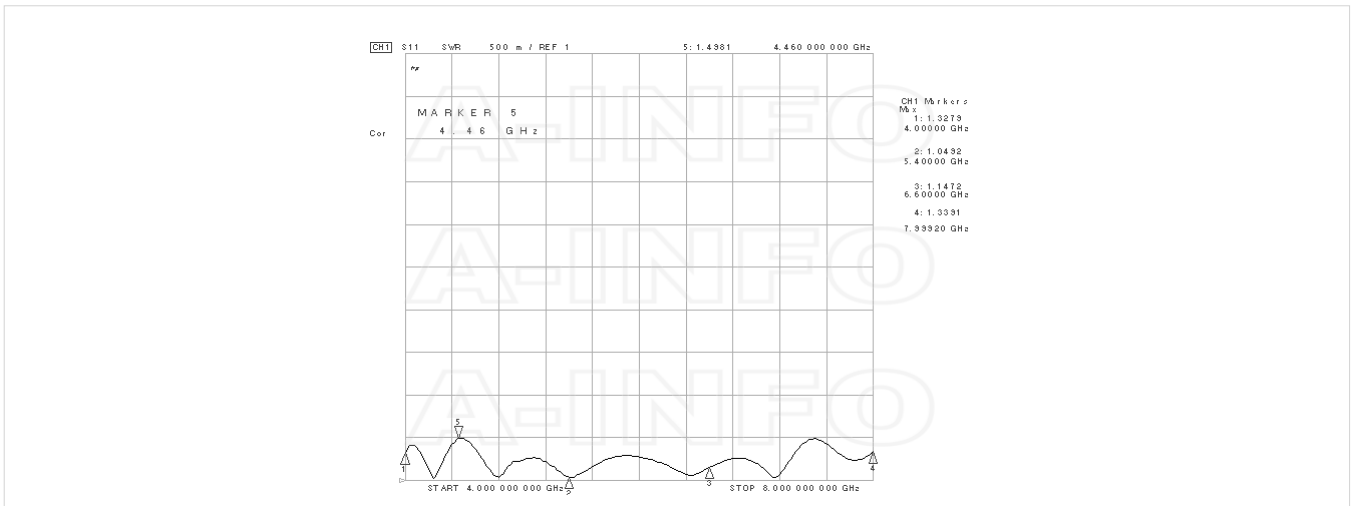
Antenna Factor (Table)

| Frequency(GHz) | Gain(dBi) | AF(dB/m) |
|----------------|-----------|----------|
| 4 | 7.84 | 34.41 |
| 4.25 | 8.85 | 33.92 |
| 4.5 | 9.73 | 33.54 |
| 4.75 | 9.99 | 33.75 |
| 5 | 10.04 | 34.15 |
| 5.25 | 10.55 | 34.07 |
| 5.5 | 10.91 | 34.11 |
| 5.75 | 11.41 | 34.00 |
| 6 | 11.90 | 33.88 |
| 6.25 | 12.30 | 33.83 |
| 6.5 | 12.67 | 33.80 |
| 6.75 | 12.87 | 33.93 |
| 7 | 12.89 | 34.23 |
| 7.25 | 13.99 | 33.42 |
| 7.5 | 13.51 | 34.20 |
| 7.75 | 13.71 | 34.29 |
| 8 | 13.94 | 34.33 |

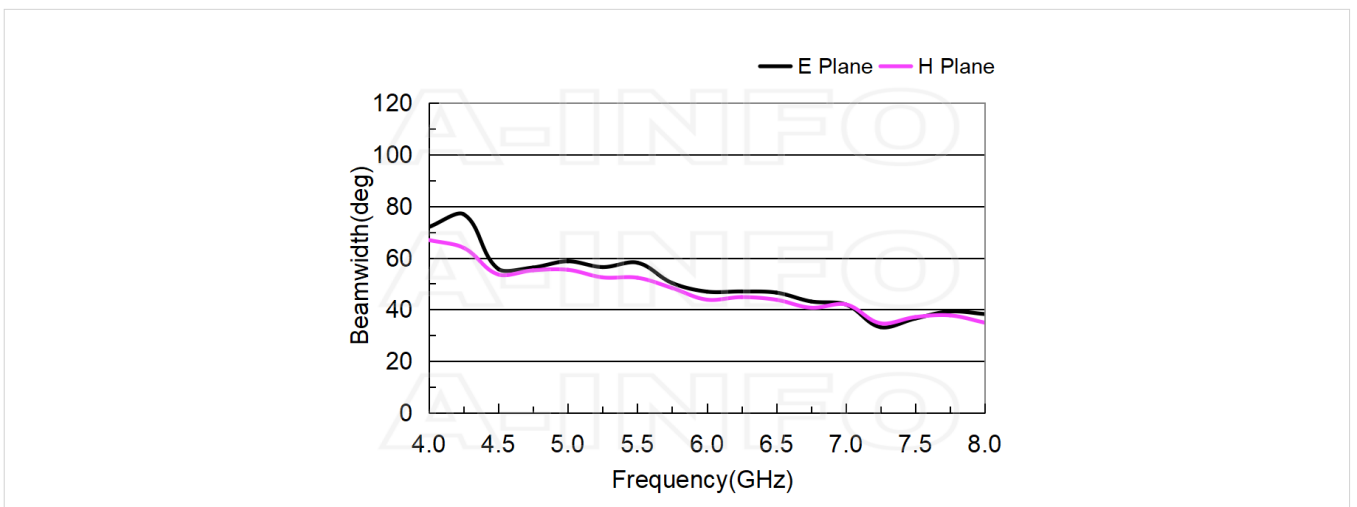
Cross Polarization Isolation



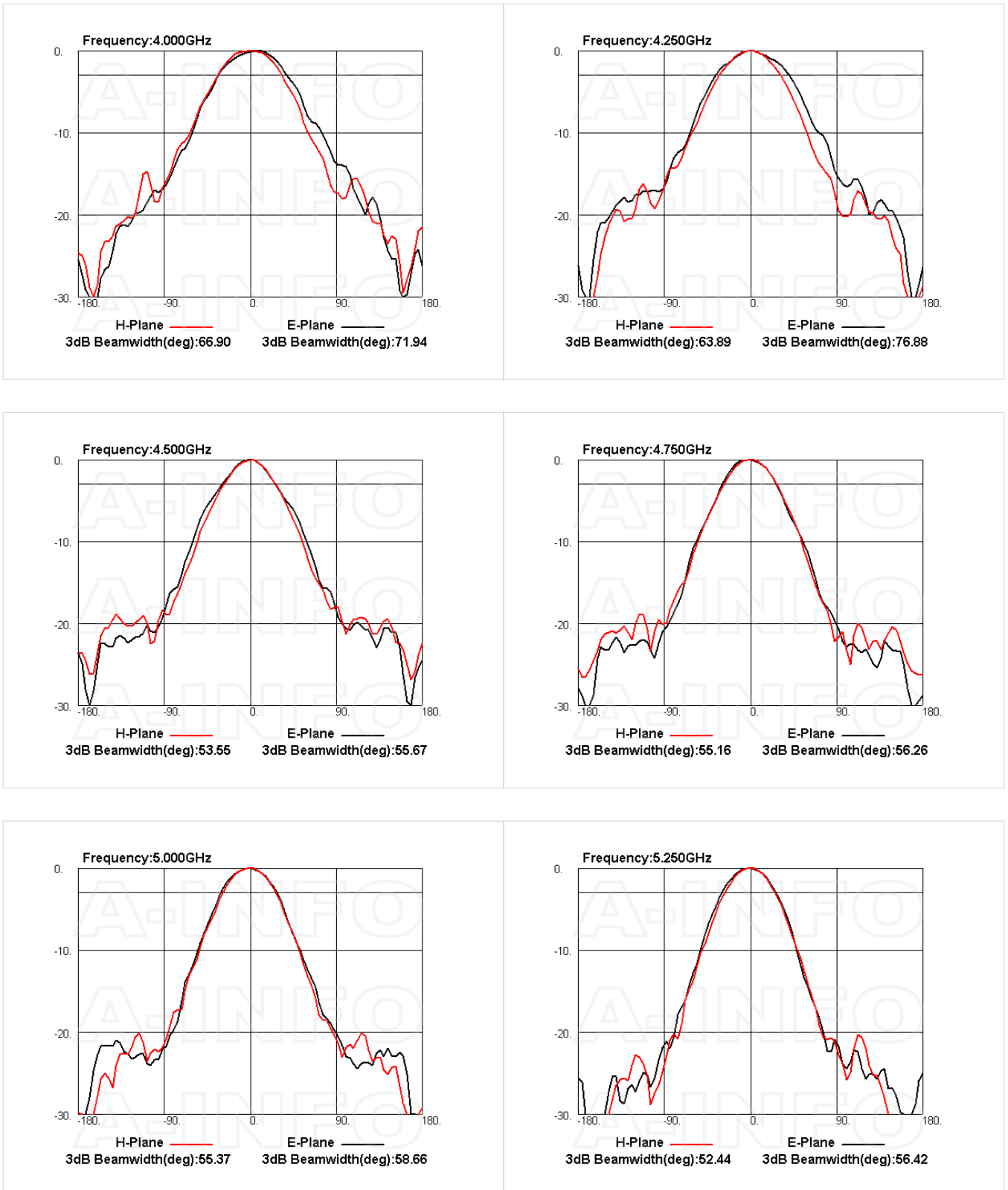
VSWR

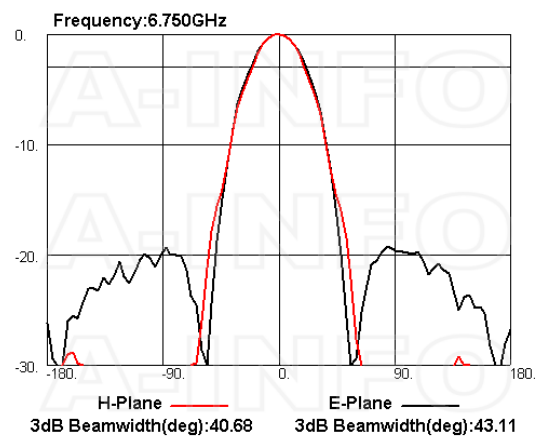
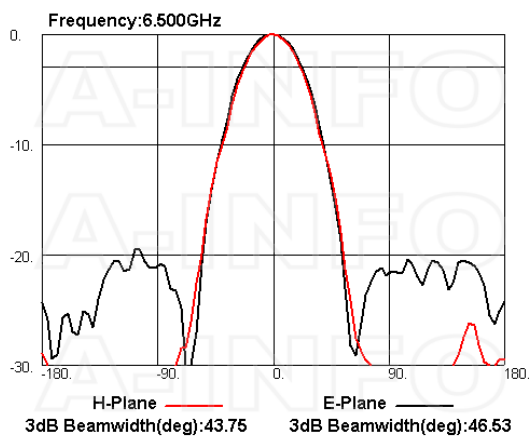
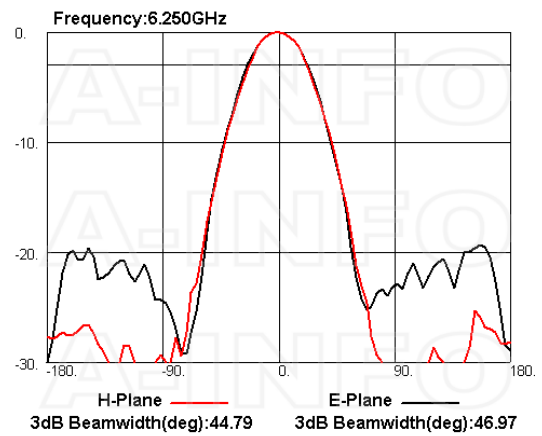
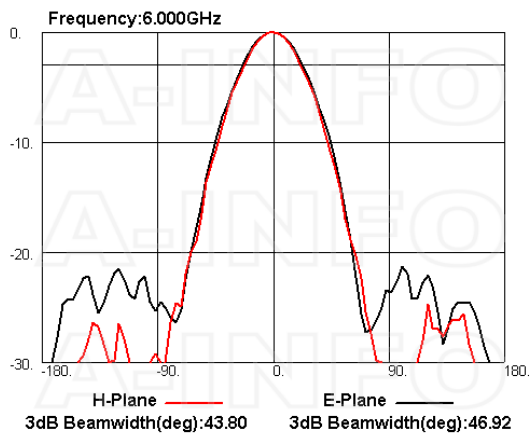
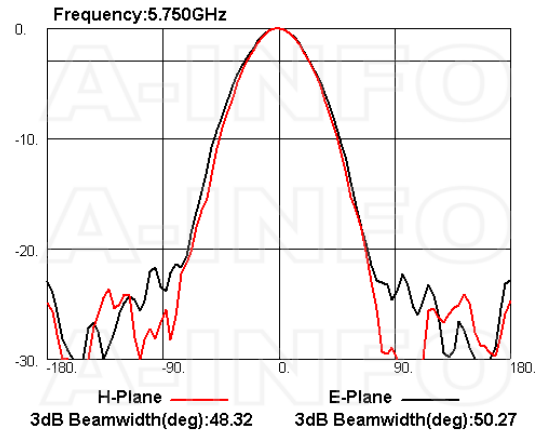
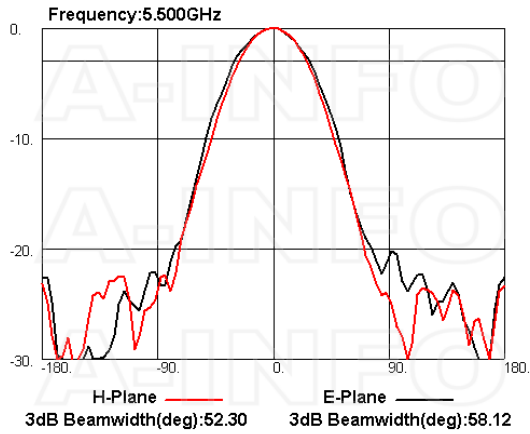


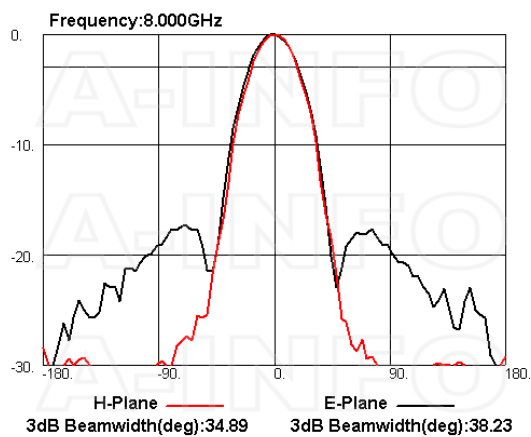
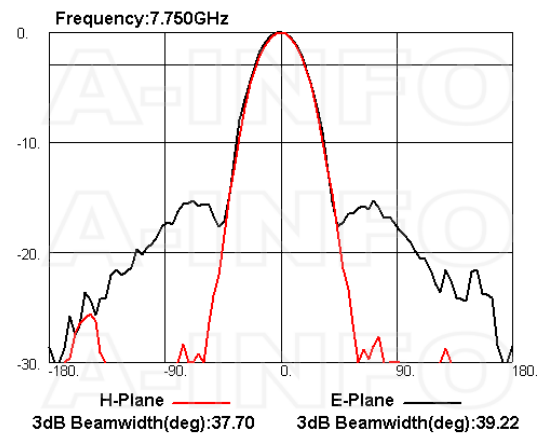
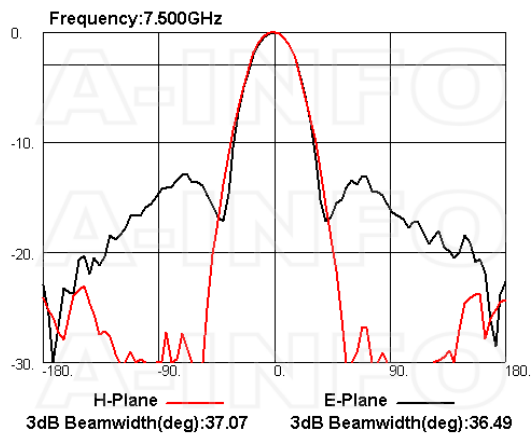
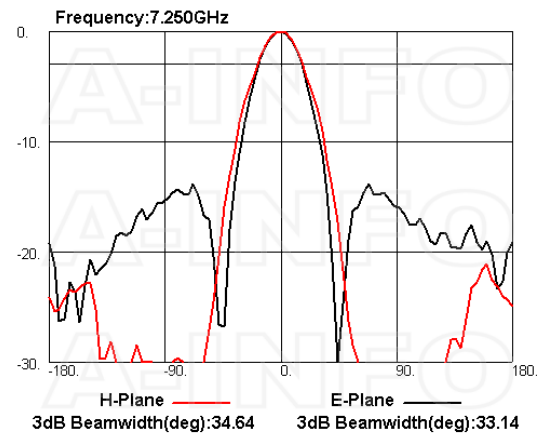
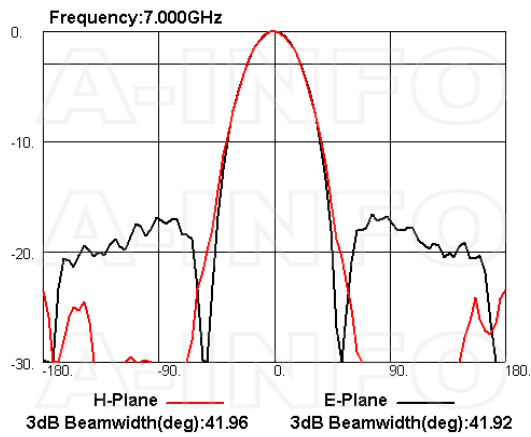
Beamwidth



Pattern







Related Products



LB-159-10-C-MB Round Type Mounting Bracket



LB-159-10-C-MBL L type mounting bracket



SM-SM-A050-1000 Flexible Cable Assembly 1000mm DC- 26.5GHz SMA Male to SMA Male



SM-SM-A050-1500 Flexible Cable Assembly 1500mm DC- 26.5GHz SMA Male to SMA Male



SM-SM-A050-2000 Flexible Cable Assembly 2000mm DC- 26.5GHz SMA Male to SMA Male



SM-SM-A050-3000 Flexible Cable Assembly 3000mm DC- 26.5GHz SMA Male to SMA Male



SM-SM-A050-5000 Flexible Cable Assembly 5000mm DC- 26.5GHz SMA Male to SMA Male



SM-SM-A050-10000 Flexible Cable Assembly 10000mm DC- 26.5GHz SMA Male to SMA Male



SM-SM-A080-200 Flexible Cable Assembly 200mm DC- 26.5GHz SMA Male to SMA Male



SM-SM-A080-300 Flexible Cable Assembly 300mm DC- 26.5GHz SMA Male to SMA Male



SM-SM-A080-500 Flexible Cable Assembly 500mm DC- 26.5GHz SMA Male to SMA Male



SM-SM-A080-1000 Flexible Cable Assembly 1000mm DC- 26.5GHz SMA Male to SMA Male



SM-SM-A080-1500 Flexible Cable Assembly 1500mm DC- 26.5GHz SMA Male to SMA Male



SM-SM-A080-2000 Flexible Cable Assembly 2000mm DC- 26.5GHz SMA Male to SMA Male



SM-SM-A080-3000 Flexible Cable Assembly 3000mm DC- 26.5GHz SMA Male to SMA Male



SM-SM-A080-5000 Flexible Cable Assembly 5000mm DC- 26.5GHz SMA Male to SMA Male



SM-SM-A080-10000 Flexible Cable Assembly 10000mm DC-26.5GHz SMA Male to SMA Male



SM-SM-A080-20000 Flexible Cable Assembly 20000mm DC-26.5GHz SMA Male to SMA Male



SM-SM-A100-100 Flexible Cable Assembly 100mm DC-18GHz SMA Male to SMA Male



SM-SM-A100-200 Flexible Cable Assembly 200mm DC-18GHz SMA Male to SMA Male



SM-SM-A100-300 Flexible Cable Assembly 300mm DC-18GHz SMA Male to SMA Male



SM-SM-A100-500 Flexible Cable Assembly 500mm DC-18GHz SMA Male to SMA Male



SM-SM-A100-1000 Flexible Cable Assembly 1000mm DC-18GHz SMA Male to SMA Male



SM-SM-A100-1500 Flexible Cable Assembly 1500mm DC-18GHz SMA Male to SMA Male



SM-SM-A100-2000 Flexible Cable Assembly 2000mm DC-18GHz SMA Male to SMA Male



SM-SM-A100-3000 Flexible Cable Assembly 3000mm DC-18GHz SMA Male to SMA Male



SM-SM-A100-5000 Flexible Cable Assembly 5000mm DC-18GHz SMA Male to SMA Male



SM-SM-A100-10000 Flexible Cable Assembly 10000mm DC-18GHz SMA Male to SMA Male

Similar Products



LB-OH-159-10-C-NF Octave Horn Antenna 4-8GHz 10dB Gain N Type Female



LB-OH-159-10-C-NFSPO Octave Horn Antenna 4-8GHz 10dB Gain N Type Female



LB-OH-159-10-C-SFSPO Octave Horn Antenna 4-8GHz 10dB Gain SMA Female



LB-OH-159-10-C-TF Octave Horn Antenna 4-8GHz 10dB Gain TNC Female



LB-OH-159-10-C-TFSPO Octave Horn Antenna 4-8GHz 10dB Gain TNC Female



LB-OH-159-10-C-7 Octave Horn Antenna 4-8GHz 10dB Gain 7mm



LB-OH-159-10-C-7SPO Octave Horn Antenna 4-8GHz 10dB Gain 7mm



LB-OH-159-10-C-3.5F Octave Horn Antenna 4-8GHz 10dB Gain 3.5mm Female



LB-OH-159-10-C-3.5FSPO Octave Horn Antenna 4-8GHz 10dB Gain 3.5mm Female

About this Datasheet

| | | |
|---|--|---|
| <ul style="list-style-type: none"> ● Product Information Product Link: https://www.ainfoinc.com/lb-oh-159-10-c-sf-octave-horn-antenna-4-8-ghz-10db-gain-sma-female-1750 Data subject to change without notice. © A-INFO INC. 2024. All Rights Reserved | <ul style="list-style-type: none"> ● Contact Us Address: 60 Tesla, Irvine, CA 92618, USA Website: www.ainfoinc.com Email: sales@ainfoinc.com | <ul style="list-style-type: none"> ● Phone & Fax Phone: +1-949-639-9688 +1-949-639-9608 Fax: +1-949-639-9670 |
|---|--|---|