



LB-OH-112-15-C-TF Octave Horn Antenna 6-12GHz 15dB Gain TNC Female

Octave Horn Antenna Operating From 6GHz to 12GHz With a Nominal 15dB Gain With TNC Female Connector

Product Information

SKU	LB-OH-112-15-C-TF
-----	-------------------

Description

Octave horn antenna LB-OH-112-15-C-TF, operating from 6 to 12Hz with a nominal 15dB gain and low VSWR 1.5:1 with TNC Female output connector. The model LB-OH-112-15-C-TF has uniform gain through its frequency span, providing efficient performance characteristics and directionality. It can handle 150W continuously and 3000W peak power. Constructed of lightweight corrosion-resistant aluminum, the antenna will provide years of trouble-free indoor and outdoor service. This octave horn antenna is linearly polarized and ideally suited for EMI testing, direction finding, surveillance, antenna gain and pattern measurements and other applications.

Technical Specification

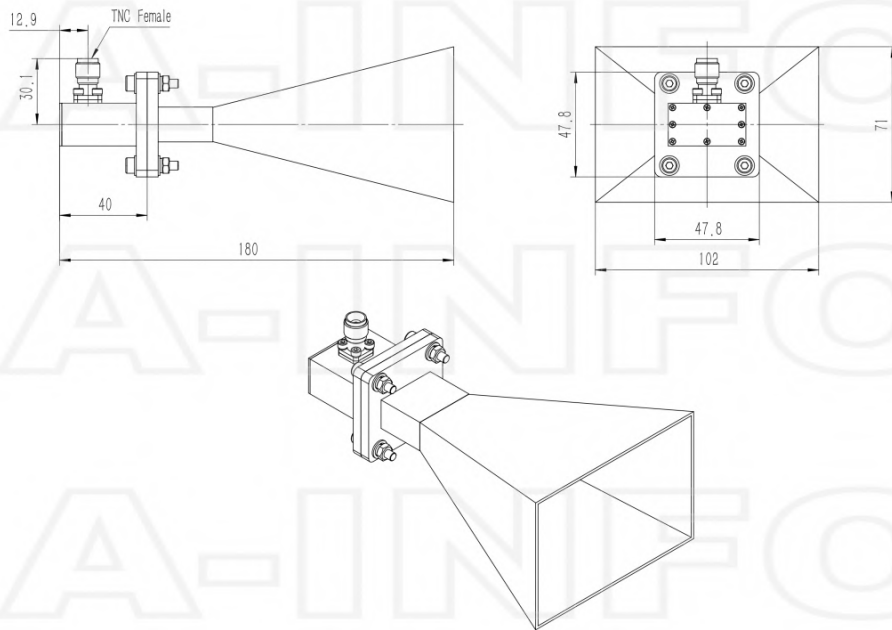
Electrical Specification		Interface	
Frequency, Min (GHz)	6	Output Type	Coaxial
Frequency, Max (GHz)	12	Connector	TNC
Gain, Typ (dBi)	15	Connector Gender	Female
Polarization	Linear	Mechanical Specification	
3dB Beamwidth, E-Plane, Min (Deg.)	16	Body Material	Al
3dB Beamwidth, E-Plane, Max (Deg.)	41	Finish	Chemical Conversion Coating, Gray Paint
3dB Beamwidth, H-Plane, Min (Deg.)	16	Size, W (mm)	102
3dB Beamwidth, H-Plane, Max (Deg.)	37	Size, H (mm)	71
Cross Pol. Isolation, Typ (dB)	35	Size, L (mm)	180
VSWR, Typ	1.5:1	Weight, (kg)	0.209
Impedance, (Ohm)	50		
Power Handling, CW, (W)	150		
Power Handling, Peak, (W)	3000		

Additional Information

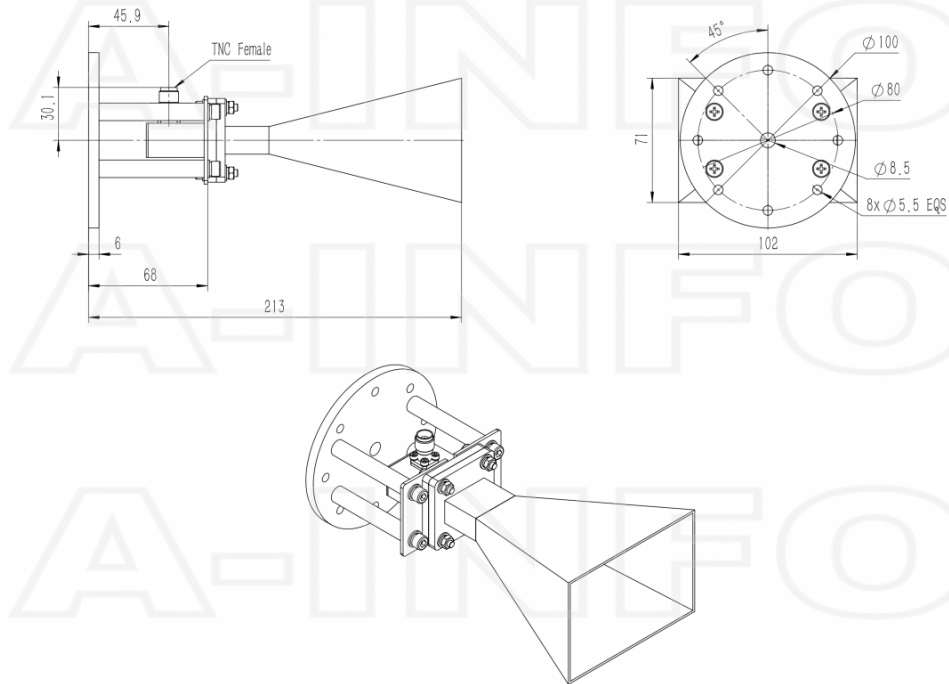
Application	General Purpose Indoor & Outdoor, Fixed	Solution for	Gain Reference Antenna Measurement Far-field Measurement System Intergration
-------------	---	--------------	---

Outline Drawing

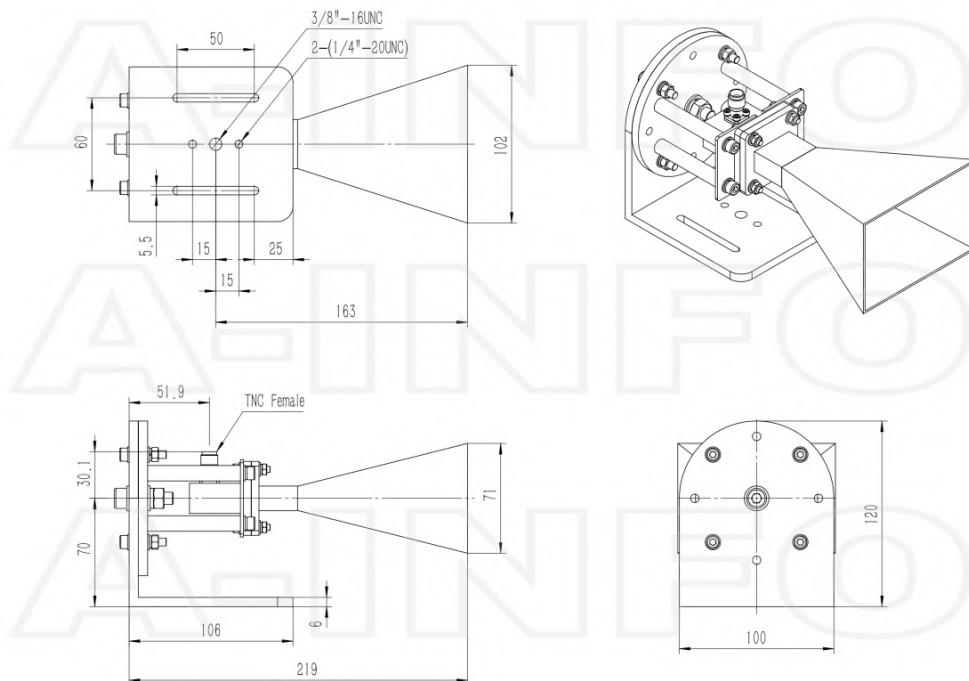
TNC-Female Output (P/N: LB-OH-112-15-C-TF)



TNC-Female Output with Round Mounting Bracket (Option, P/N: LB-112-10-C-MB)

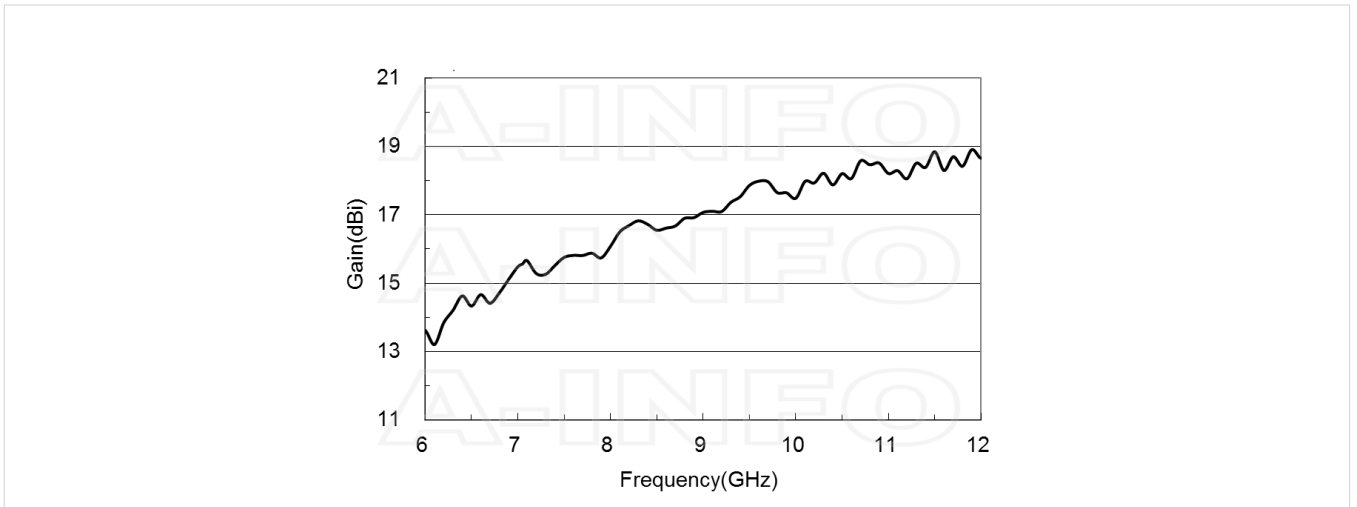


TNC-Female Output with L Type Mounting Bracket (Option, P/N: LB-112-10-C-MBL)

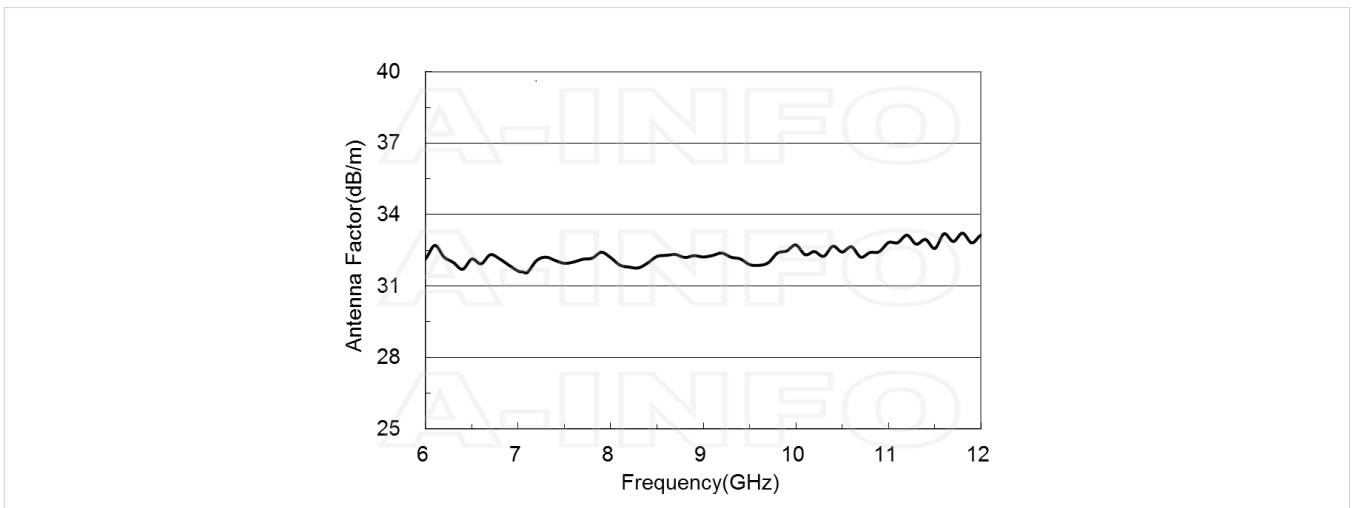


Typical Test Results

Gain



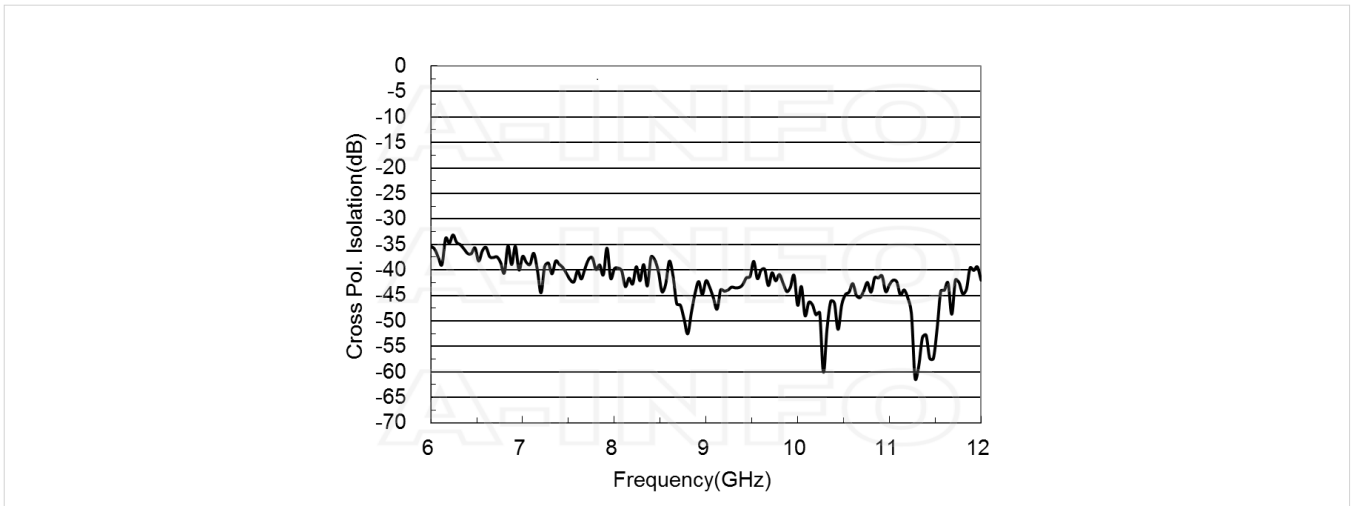
Antenna Factor



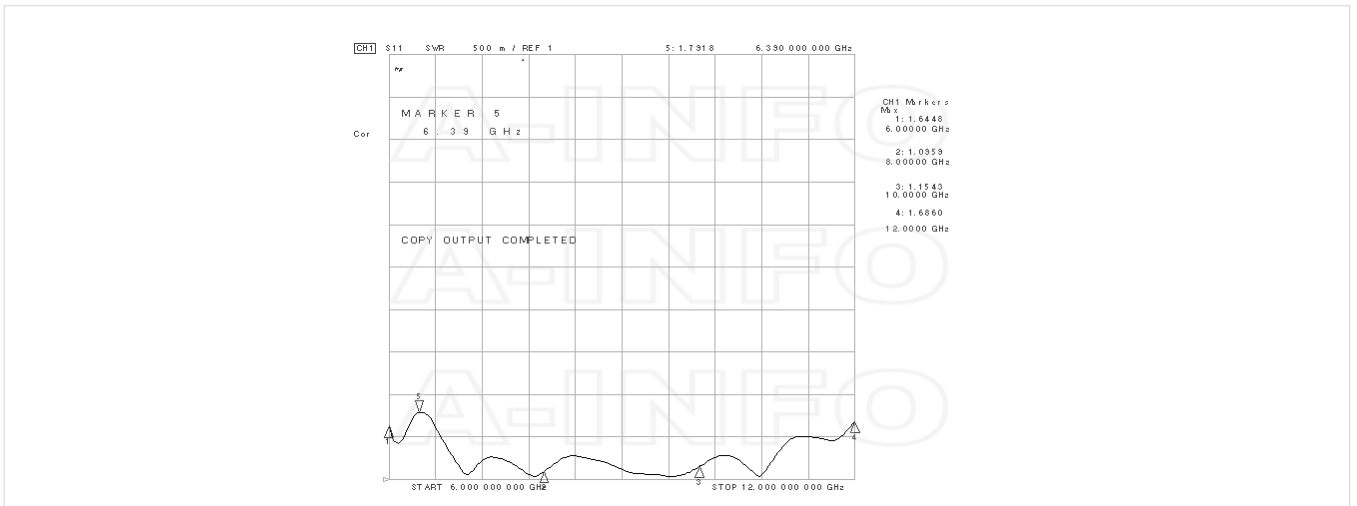
Antenna Factor (Table)

Frequency(GHz)	Gain(dBi)	AF(dB/m)
6.0	13.62	32.15
6.5	14.33	32.14
7.0	15.48	31.63
7.5	15.76	31.96
8.0	16.08	32.19
8.5	16.55	32.25
9.0	17.07	32.22
9.5	17.86	31.90
10.0	17.48	32.73
10.5	18.21	32.43
11.0	18.21	32.83
11.5	18.84	32.58
12.0	18.66	33.14

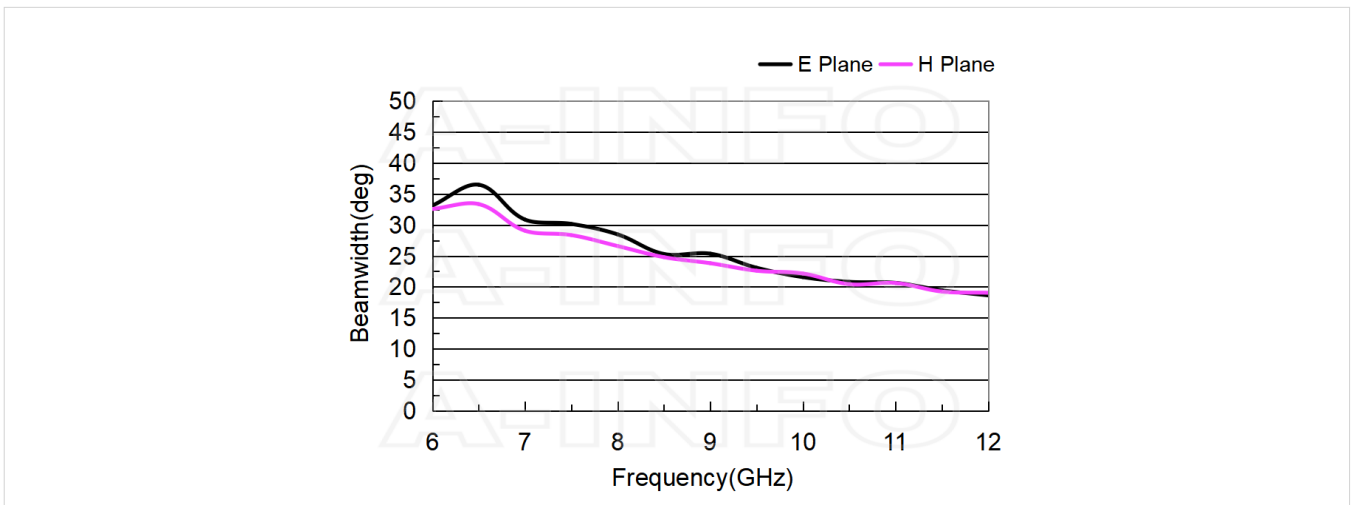
Cross Polarization Isolation



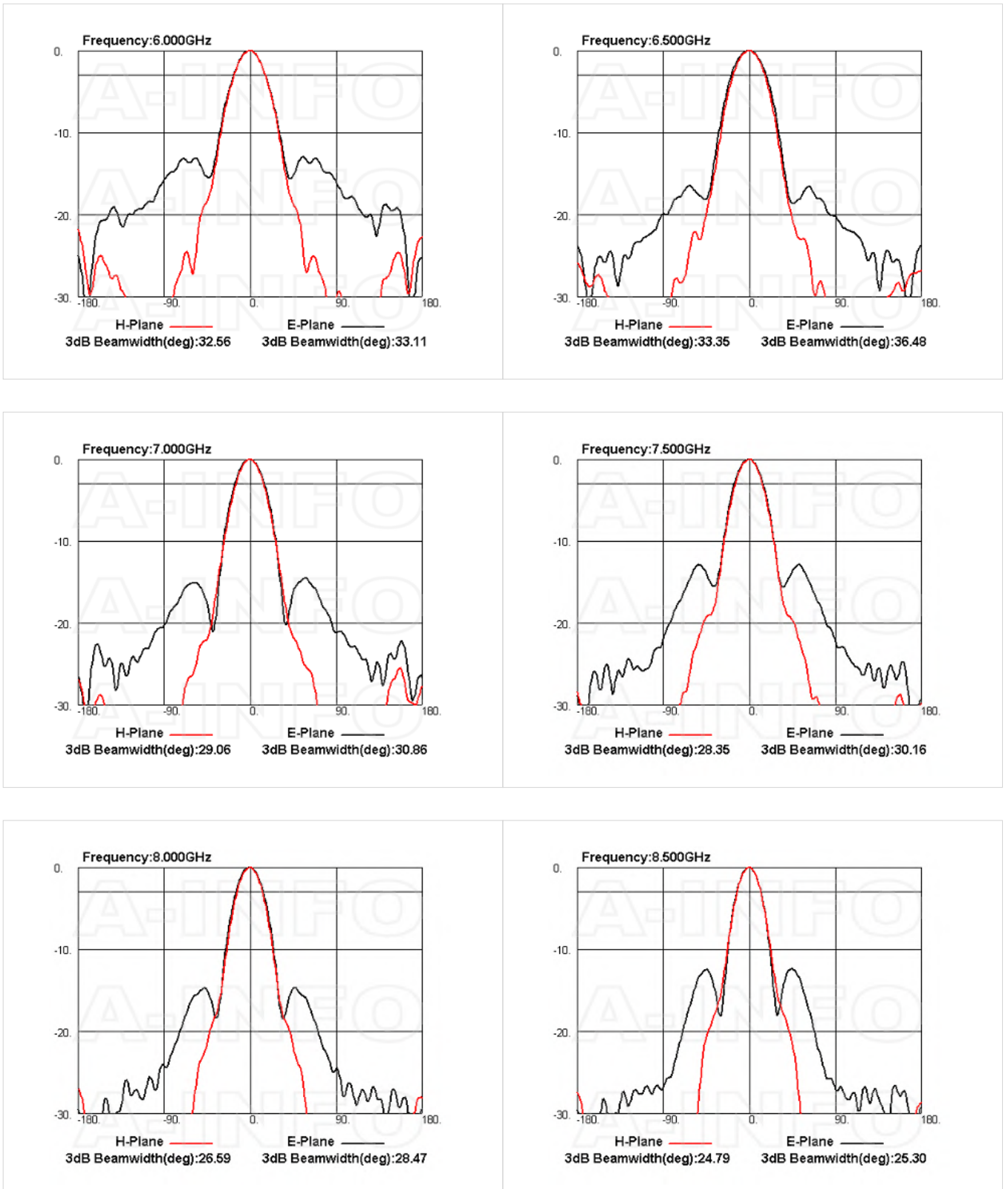
VSWR

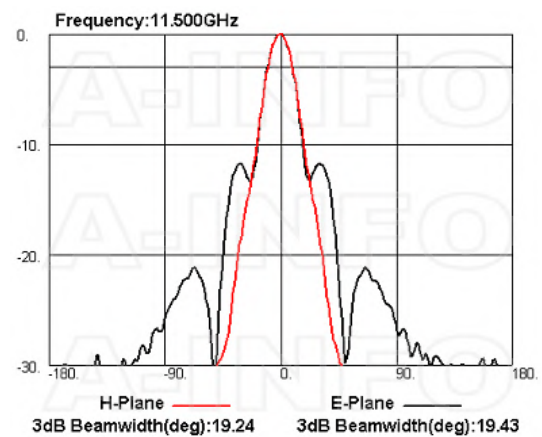
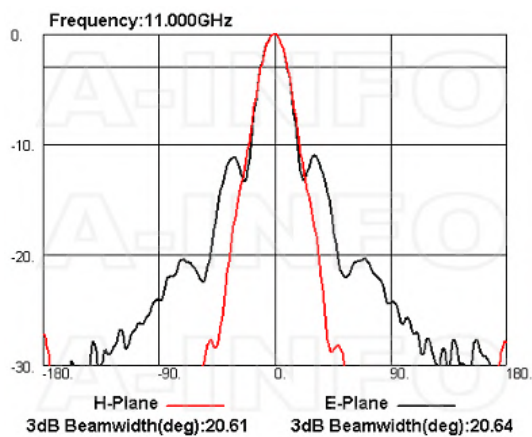
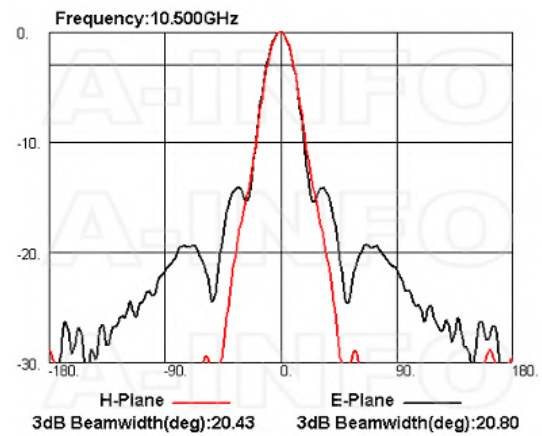
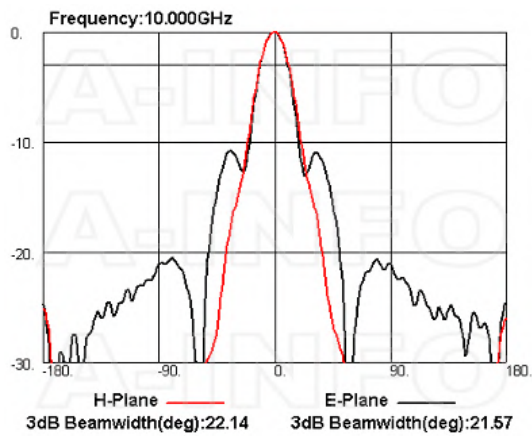
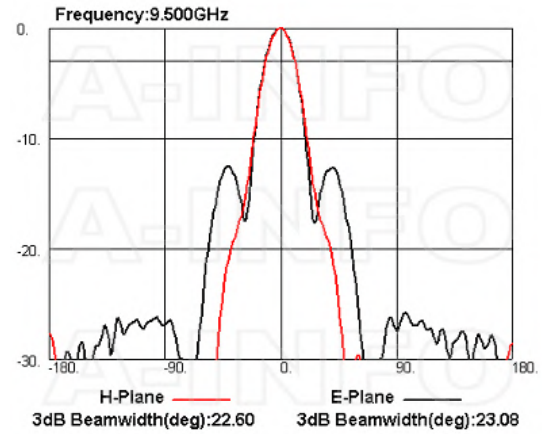
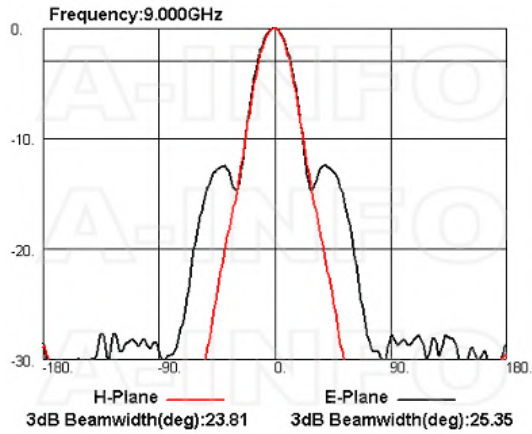


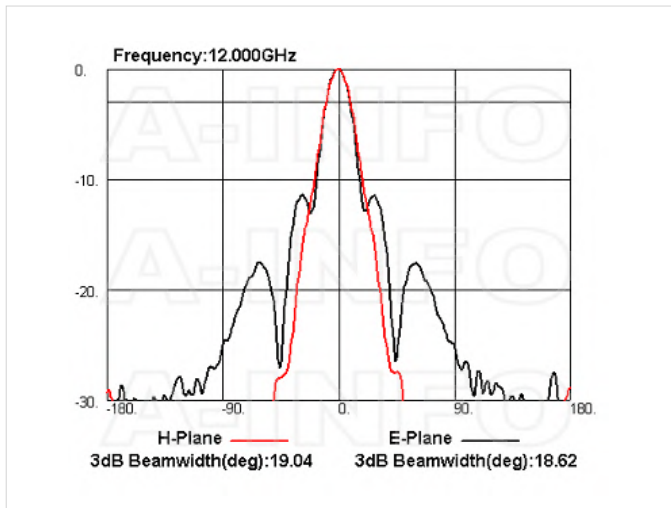
Beamwidth



Pattern







Related Products



LB-112-10-C-MB Round Type Mounting Bracket



LB-112-10-C-MBL L type mounting bracket



Tripod_15Kg Al Alloy Tripod



3033HL Wooden Tripod



3033QM Wooden Tripod Metalfree

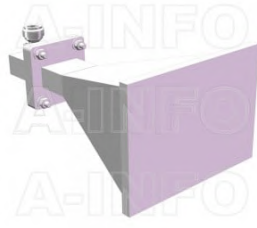


Carrying Case_LB-112-15-C Al Alloy Carrying Case

Similar Products



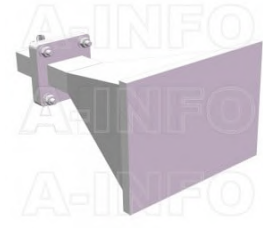
LB-OH-112-15-C-NF Octave Horn Antenna 6-12GHz 15dB Gain N Type Female



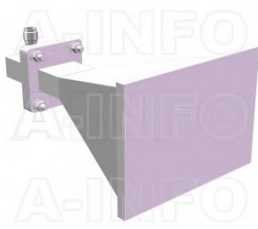
LB-OH-112-15-C-NFSPO Octave Horn Antenna 6-12GHz 15dB Gain N Type Female



LB-OH-112-15-C-SF Octave Horn Antenna 6-12GHz 15dB Gain SMA Female



LB-OH-112-15-C-SFSPO Octave Horn Antenna 6-12GHz 15dB Gain SMA Female



LB-OH-112-15-C-TFSPO Octave Horn Antenna 6-12GHz 15dB Gain TNC Female



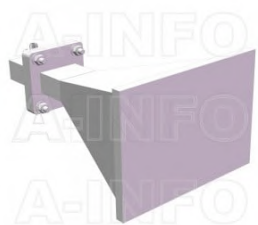
LB-OH-112-15-C-7 Octave Horn Antenna 6-12GHz 15dB Gain 7mm



LB-OH-112-15-C-7SPO Octave Horn Antenna 6-12GHz 15dB Gain 7mm



LB-OH-112-15-C-3.5F Octave Horn Antenna 6-12GHz 15dB Gain 3.5mm Female



LB-OH-112-15-C-3.5FSPO Octave Horn Antenna 6-12GHz 15dB Gain 3.5mm Female

About this Datasheet

- **Product Information**

Product Link:
<https://www.ainfoinc.com/lb-oh-112-15-c-tf-octave-horn-antenna-6-12-ghz-15db-gain-tnc-female>
 Data subject to change without notice.
 © A-INFO INC. 2024. All Rights Reserved

- **Contact Us**

Address:
 60 Tesla, Irvine, CA 92618, USA

Website:
www.ainfoinc.com

Email:
sales@ainfoinc.com

- **Phone & Fax**

Phone:
 +1-949-639-9688
 +1-949-639-9608

Fax:
 +1-949-639-9670