

LB-75180-20-C-NF Multi Octave Horn Antenna 7.5-18GHz 20dB Gain N Type Female



Multi Octave Horn Antenna Operating From 7.5GHz to 18GHz With a Nominal 20dB Gain With N Type Female Connector

Product Information

SKU	LB-75180-20-C-NF
-----	------------------

Description

Multi octave horn antenna LB-75180-20-C-NF, operating from 7.5 to 18GHz with a nominal 20dB gain and low VSWR 1.5:1 with N Type Female output connector. The model LB-75180-20-C-NF has uniform gain through its frequency span, providing efficient performance characteristics and directionality. It can handle 150W continuously and 3000W peak power. Constructed of lightweight corrosion-resistant aluminum, the antenna will provide years of trouble-free indoor and outdoor service. This multi octave horn antenna is linearly polarized and ideally suited for EMI testing, direction finding, surveillance, antenna gain and pattern measurements and other applications.

Technical Specification

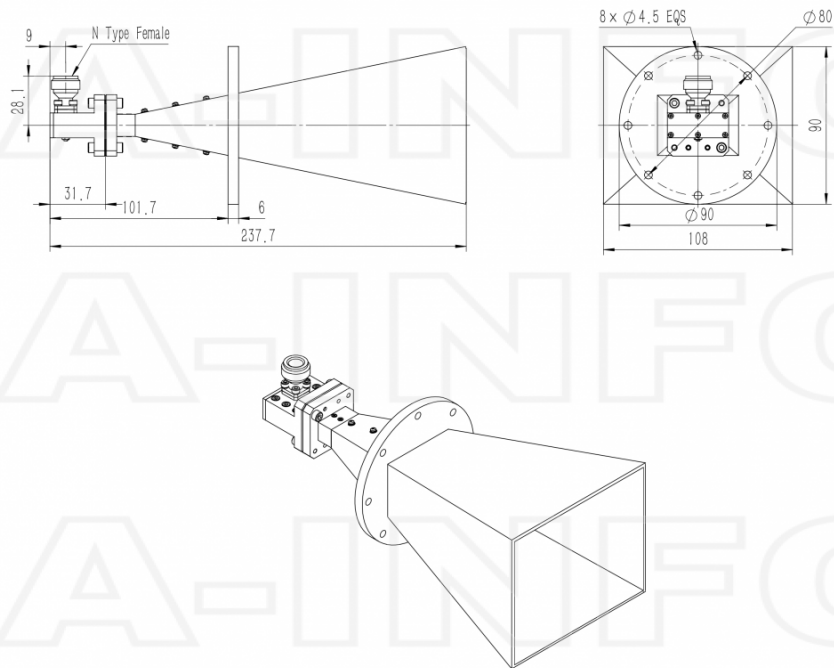
Electrical Specification		Interface	
Frequency, Min (GHz)	7.5	Output Type	Coaxial
Frequency, Max (GHz)	18	Connector	N Type
Waveguide Type	Double Ridge	Connector Gender	Female
Waveguide Size EIA WRD	WRD750	Mechanical Specification	
Gain, Typ (dBi)	20	Figure	C Type
Polarization	Linear	Body Material	Al
3dB Beamwidth, E-Plane, Min (Deg.)	8	Finish	Passivation and Chemical Conversion Coating, Gray Paint
3dB Beamwidth, E-Plane, Max (Deg.)	26	Size, W (mm)	108
3dB Beamwidth, H-Plane, Min (Deg.)	9	Size, H (mm)	90
3dB Beamwidth, H-Plane, Max (Deg.)	29	Size, L (mm)	237.7
Cross Pol. Isolation, Typ (dB)	40	Weight, (kg)	0.5
VSWR, Typ	1.5:1		
Impedance, (Ohm)	50		
Power Handling, CW, (W)	150		
Power Handling, Peak, (W)	3000		

Additional Information

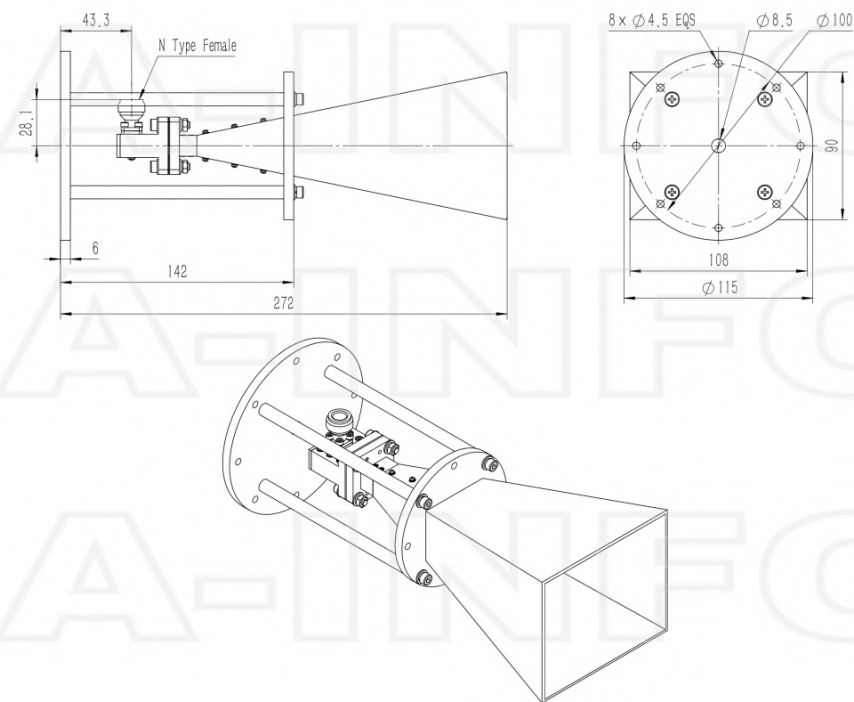
Application	General Purpose Indoor & Outdoor, Fixed	Solution for	Gain Reference Antenna Measurement Far-field Measurement System Intergration
-------------	---	--------------	---

Outline Drawing

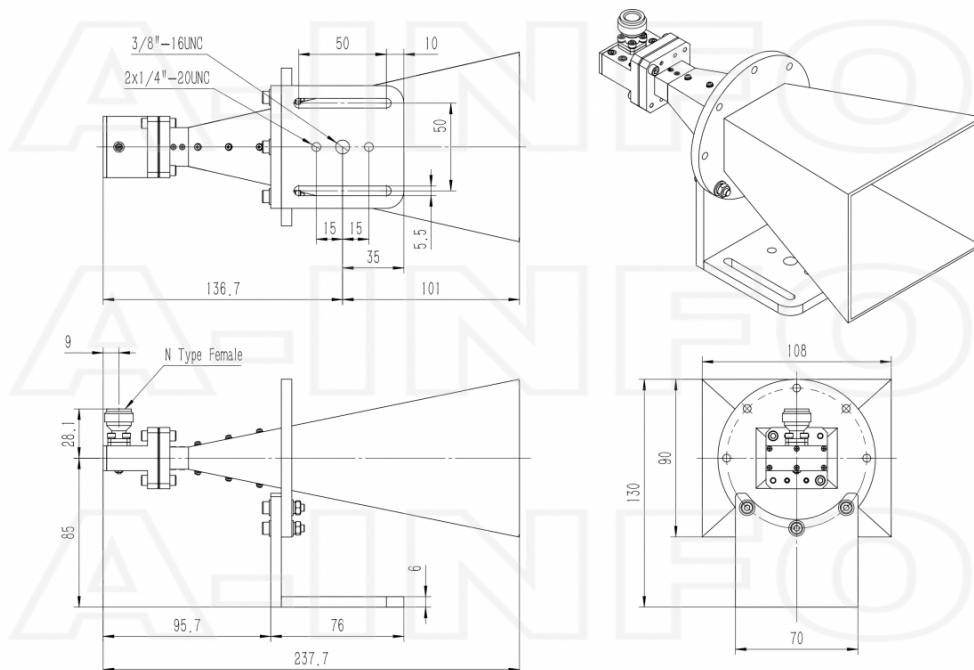
N-Female Output (P/N: LB-75180-20-C-NF)



N-Female Output with Round Mounting Bracket (Option, P/N: LB-65180-20-C-MB)

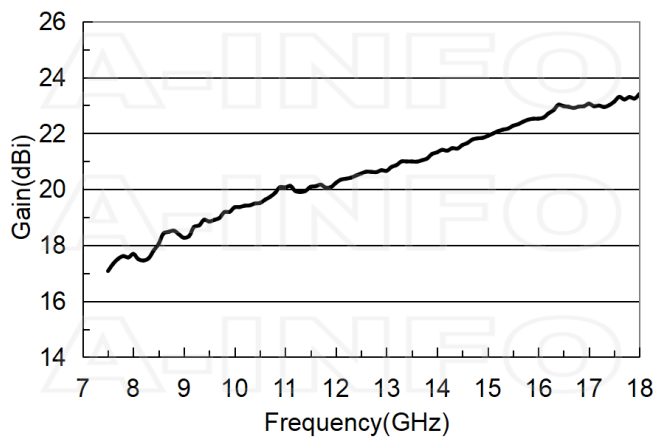


N-Female Output with L Type Mounting Bracket (Option, P/N: LB-65180-20-C-L)

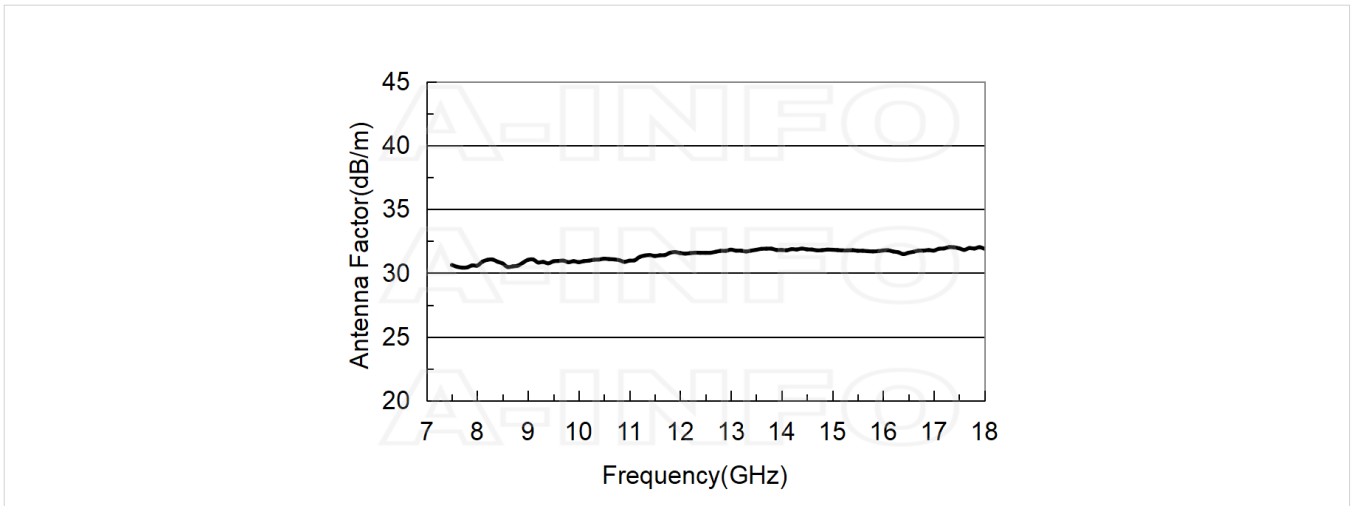


Typical Test Results

Gain



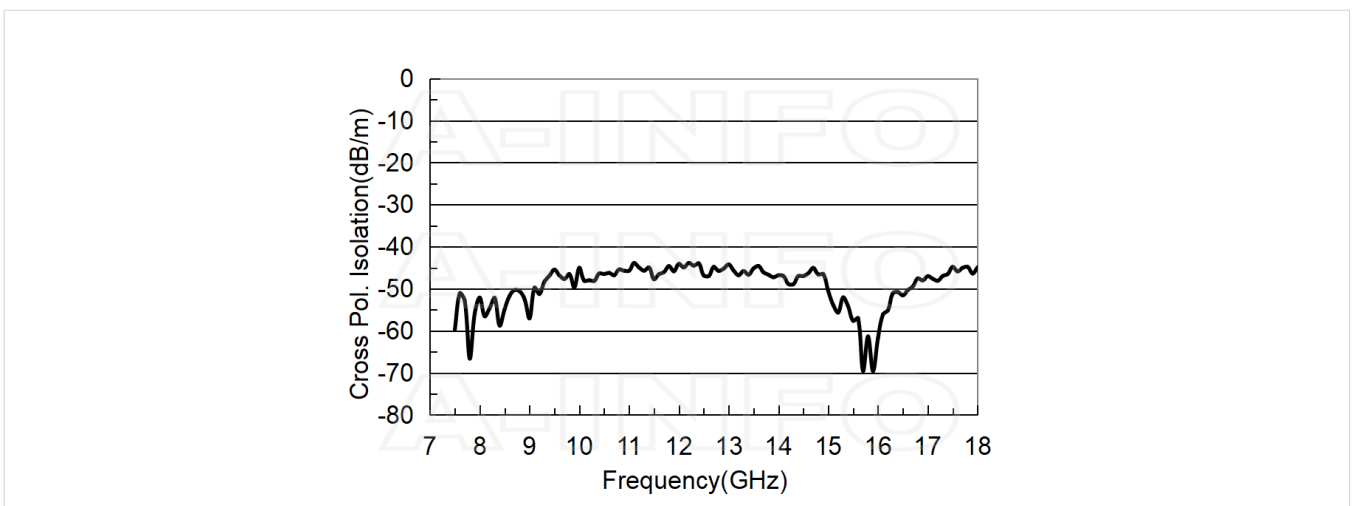
Antenna Factor



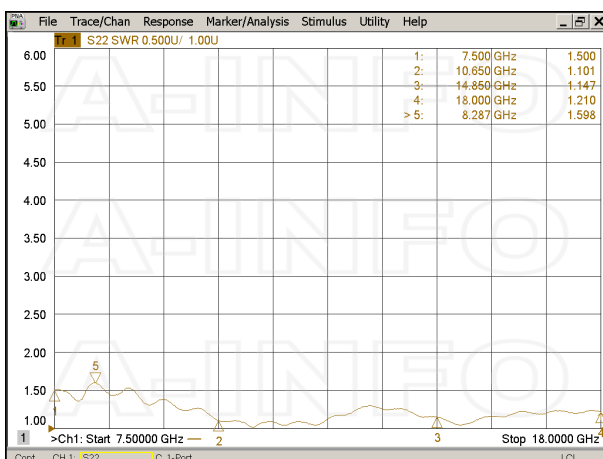
Antenna Factor (Table)

Frequency(GHz)	Gain(dBi)	Antenna Factor(dB/m)
7.5	17.08	30.63
8.0	17.69	30.58
9.0	18.26	31.03
10.0	19.35	30.86
11.0	20.07	30.97
12.0	20.23	31.57
13.0	20.66	31.83
14.0	21.32	31.81
15.0	21.91	31.82
16.0	22.52	31.77
17.0	23.06	31.76
18.0	23.41	31.90

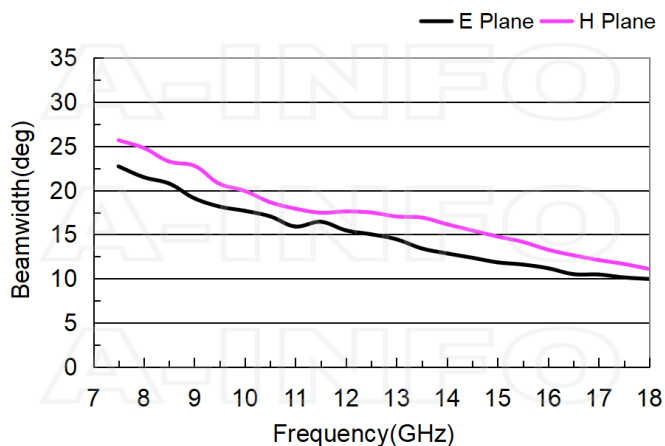
Cross Polarization Isolation



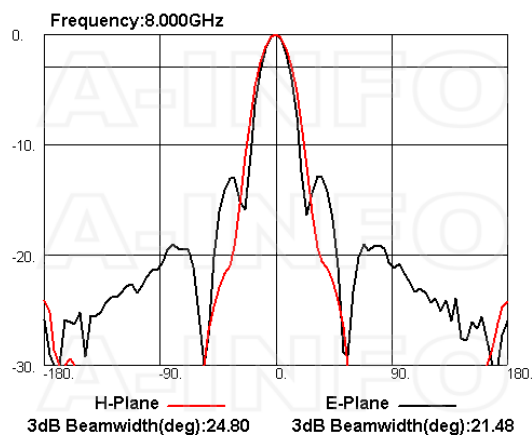
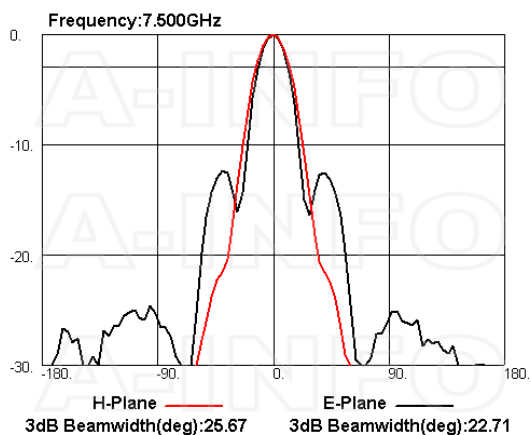
VSWR

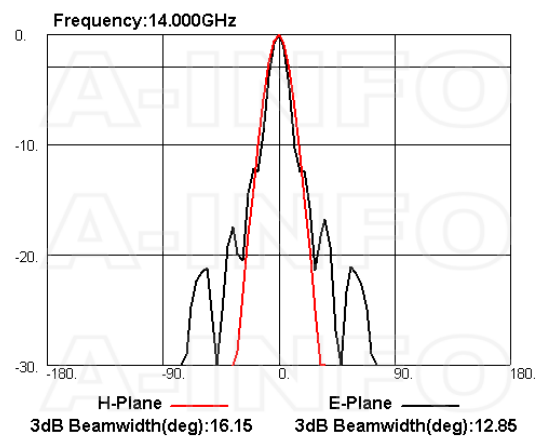
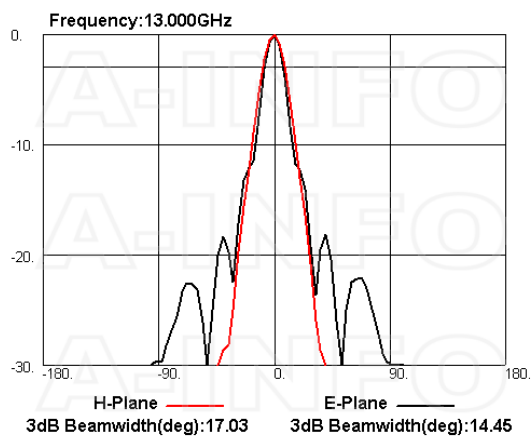
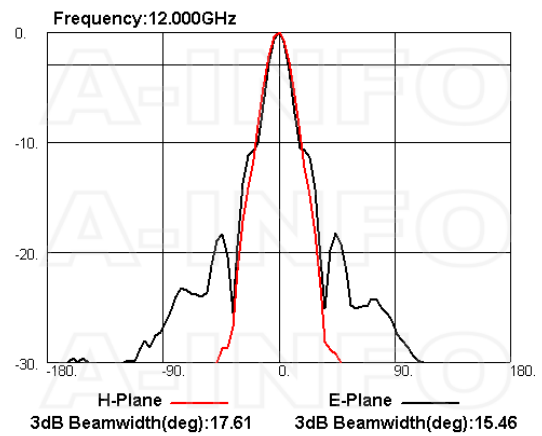
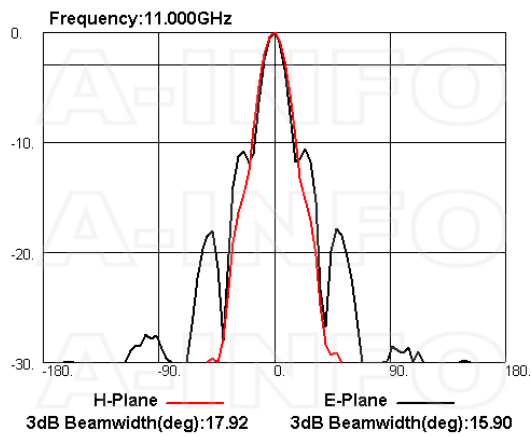
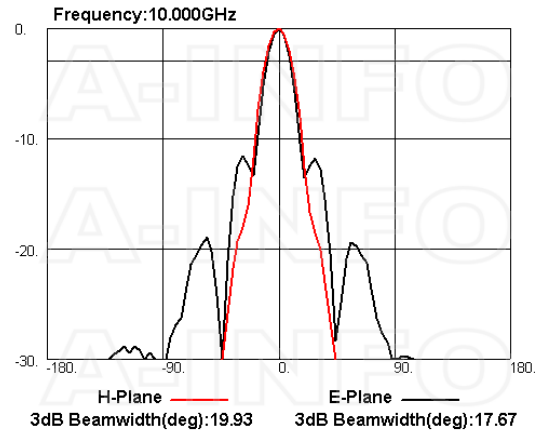
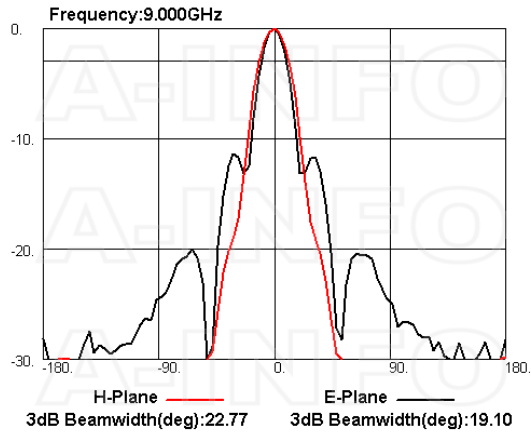


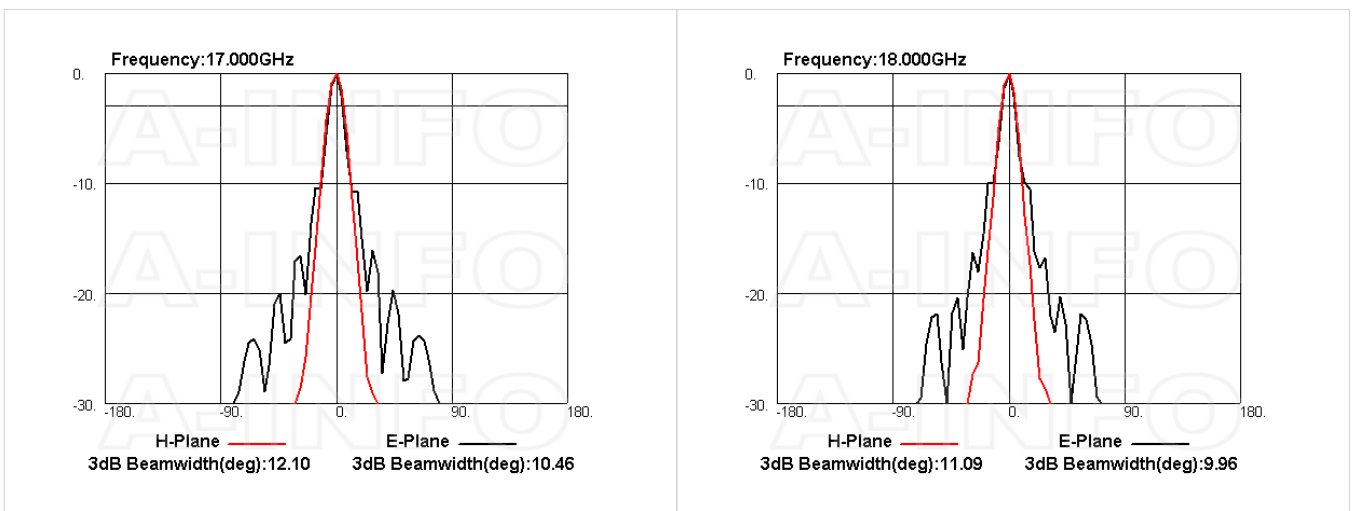
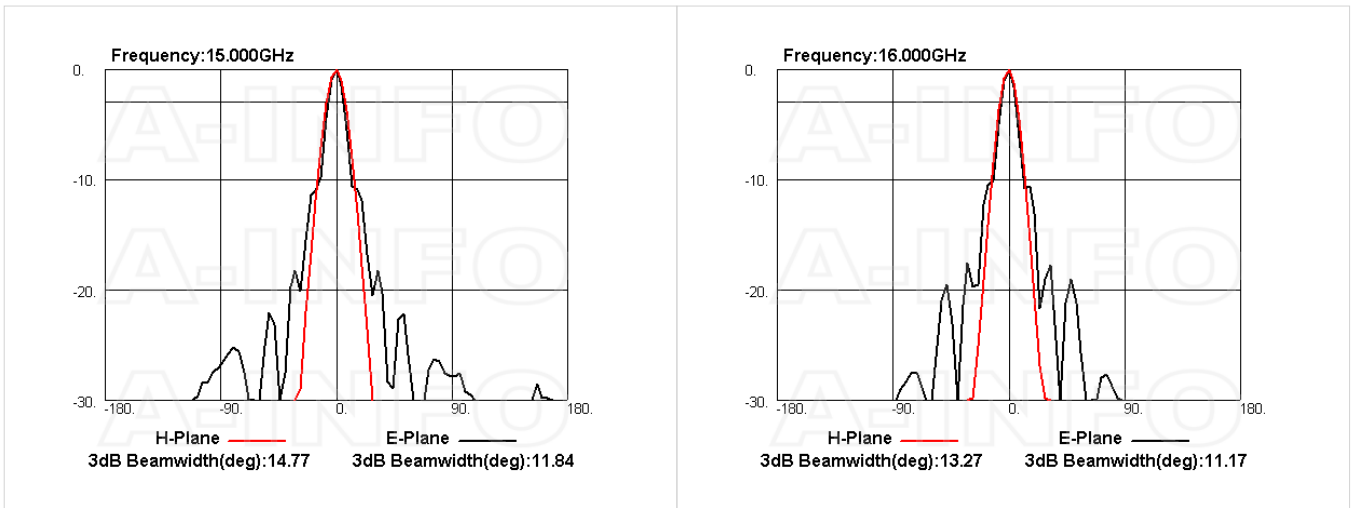
Beamwidth



Pattern







Related Products



LB-65180-20-C-MB Round Type Mounting Bracket



LB-65180-20-C-L L type mounting bracket



LB-65180-20-C-MA Stinger Type Mounting Bracket



Tripod_15Kg Al Alloy Tripod



3033HL Wooden Tripod



3033QM Wooden Tripod Metalfree



Carrying Case_LB-75180-20-C Al Alloy Carrying Case



NM-NM-A050-1000 Flexible Cable Assembly 1000mm DC-18GHz N Male to N Male



NM-NM-A050-1500 Flexible Cable Assembly 1500mm DC-18GHz N Male to N Male



NM-NM-A050-2000 Flexible Cable Assembly 2000mm DC-18GHz N Male to N Male



NM-NM-A050-3000 Flexible Cable Assembly 3000mm DC-18GHz N Male to N Male



NM-NM-A050-5000 Flexible Cable Assembly 5000mm DC-18GHz N Male to N Male



NM-NM-A050-10000 Flexible Cable Assembly 10000mm DC-18GHz N Male to N Male



NM-NM-A050-20000 Flexible Cable Assembly 20000mm DC-18GHz N Male to N Male



NM-NM-A100-500 Flexible Cable Assembly 500mm DC-18GHz N Male to N Male



NM-NM-A100-1000 Flexible Cable Assembly 1000mm DC-18GHz N Male to N Male



NM-NM-A100-1500 Flexible Cable Assembly 1500mm DC-18GHz N Male to N Male



NM-NM-A100-2000 Flexible Cable Assembly 2000mm DC-18GHz N Male to N Male



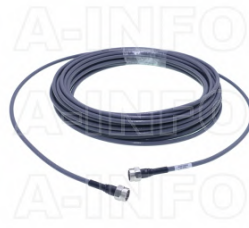
NM-NM-A100-3000 Flexible Cable Assembly 3000mm DC-18GHz N Male to N Male



NM-NM-A100-5000 Flexible Cable Assembly 5000mm DC-18GHz N Male to N Male



NM-NM-A100-10000 Flexible Cable Assembly 10000mm DC-18GHz N Male to N Male

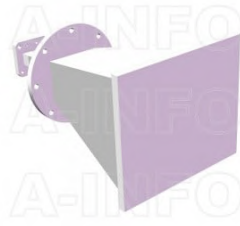


NM-NM-A100-20000 Flexible Cable Assembly 20000mm DC-18GHz N Male to N Male

Similar Products



LB-75180-20-A Multi Octave Horn Antenna 7.5-18GHz 20dB Gain Double Ridge Waveguide Interface



LB-75180-20-ASPO Multi Octave Horn Antenna 7.5-18GHz 20dB Gain Double Ridge Waveguide Interface



LB-75180-20-C-SF Multi Octave Horn Antenna 7.5-18GHz 20dB Gain SMA Female



LB-75180-20-C-SFSPO Multi Octave Horn Antenna 7.5-18GHz 20dB Gain SMA Female



LB-75180-20-C-NFSPO Multi Octave Horn Antenna 7.5-18GHz 20dB Gain N Type Female



LB-75180-20-C-HNF Multi Octave Horn Antenna 7.5-18GHz 20dB Gain High Power N Type Female



LB-75180-20-C-HNFSPO Multi Octave Horn Antenna 7.5-18GHz 20dB Gain High Power N Type Female

About this Datasheet

<ul style="list-style-type: none"> ● Product Information Product Link: https://www.ainfoinc.com/lb-75180-20-c-nf-multi-octave-horn-antenna-7-5-18-ghz-20db-gain-n-type-female Data subject to change without notice. © A-INFO INC. 2024. All Rights Reserved 	<ul style="list-style-type: none"> ● Contact Us Address: 60 Tesla, Irvine, CA 92618, USA Website: www.ainfoinc.com Email: sales@ainfoinc.com 	<ul style="list-style-type: none"> ● Phone & Fax Phone: +1-949-639-9688 +1-949-639-9608 Fax: +1-949-639-9670
---	--	---