

LB-65180-23-A Multi Octave Horn Antenna 6.5-18GHz 23dB Gain Double Ridge Waveguide Interface



Multi Octave Horn Antenna From 6.5GHz to 18GHz With a Nominal 23dB Gain With Double Ridge Waveguide Interface

Product Information

SKU	LB-65180-23-A
-----	---------------

Description

Multi octave horn antenna LB-65180-23-A, operating from 6.5 to 18GHz with a nominal 23dB gain and low VSWR 1.25:1 with FPWRD650D28 output. The model LB-65180-23-A has uniform gain through its frequency span, providing efficient performance characteristics and directionality. Constructed of lightweight corrosion-resistant aluminum, the antenna will provide years of trouble-free indoor and outdoor service. This multi octave horn antenna is linearly polarized and ideally suited for EMI testing, direction finding, surveillance, antenna gain and pattern measurements and other applications.

Technical Specification

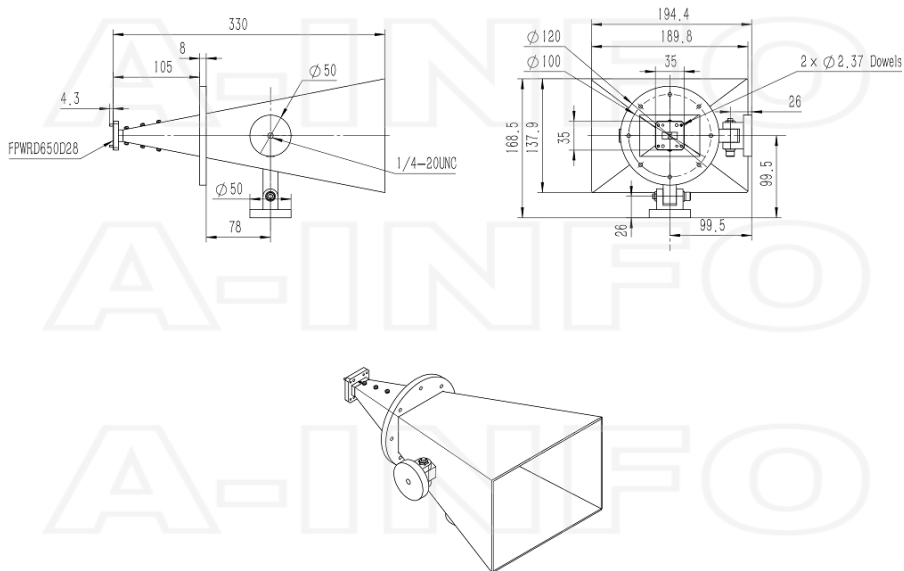
Electrical Specification		Interface	
Frequency, Min (GHz)	6.5	Output Type	Waveguide
Frequency, Max (GHz)	18	Flange Designation, WRD	FPWRD650D28
Waveguide Type	Double Ridge	Mechanical Specification	
Waveguide Size EIA WRD	WRD650	Figure	A Type
Gain, Typ (dBi)	23	Body Material	Al
Polarization	Linear	Finish	Chemical Conversion Coating, Gray Paint
3dB Beamwidth, E-Plane, Min (Deg.)	6	Size, W (mm)	194.4
3dB Beamwidth, E-Plane, Max (Deg.)	20	Size, H (mm)	168.5
3dB Beamwidth, H-Plane, Min (Deg.)	7	Size, L (mm)	330
3dB Beamwidth, H-Plane, Max (Deg.)	20	Weight, (kg)	1.18
Cross Pol. Isolation, Typ (dB)	40		
VSWR, Typ	1.25:1		

Additional Information

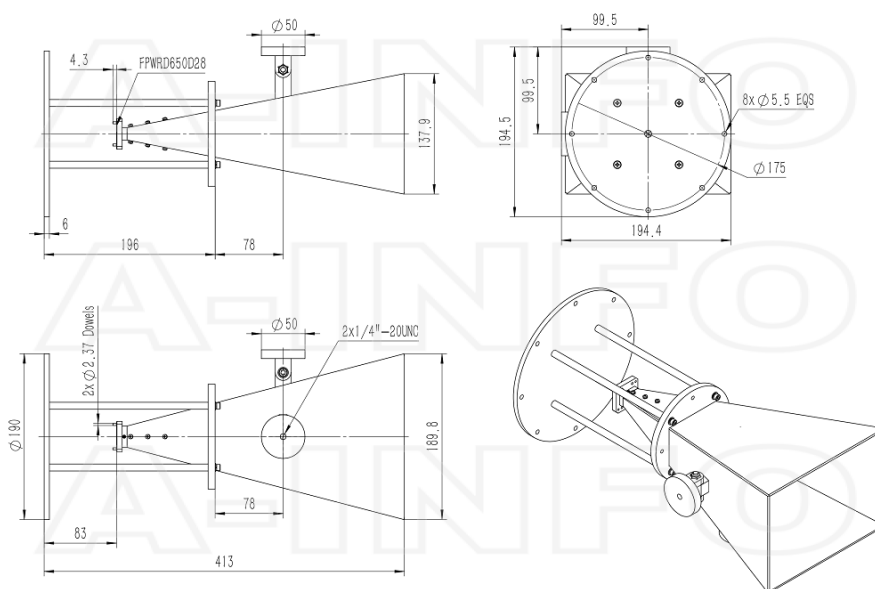
Application	General Purpose Indoor & Outdoor, Fixed	Solution for	Gain Reference Antenna Measurement Far-field Measurement System Intergration
-------------	---	--------------	--

Outline Drawing

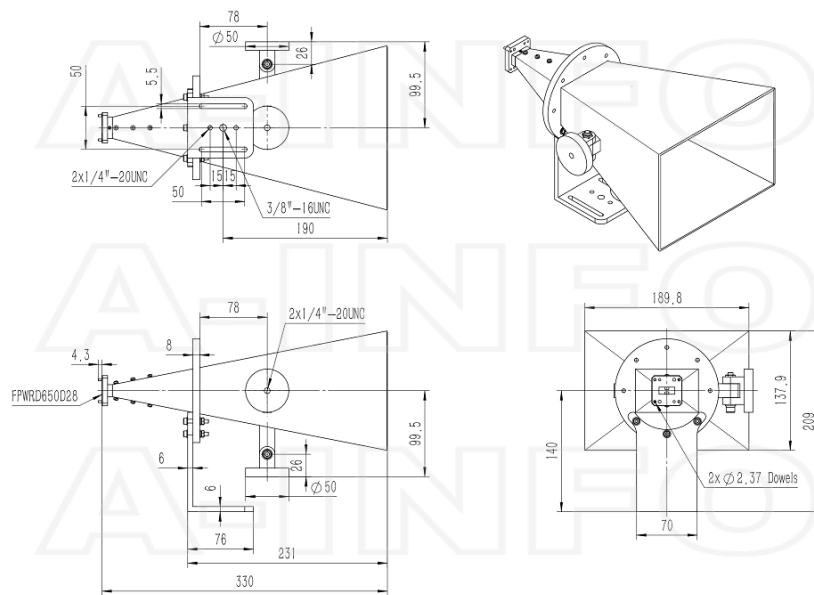
FPWRD650D28 Output (P/N: LB-65180-23-A)



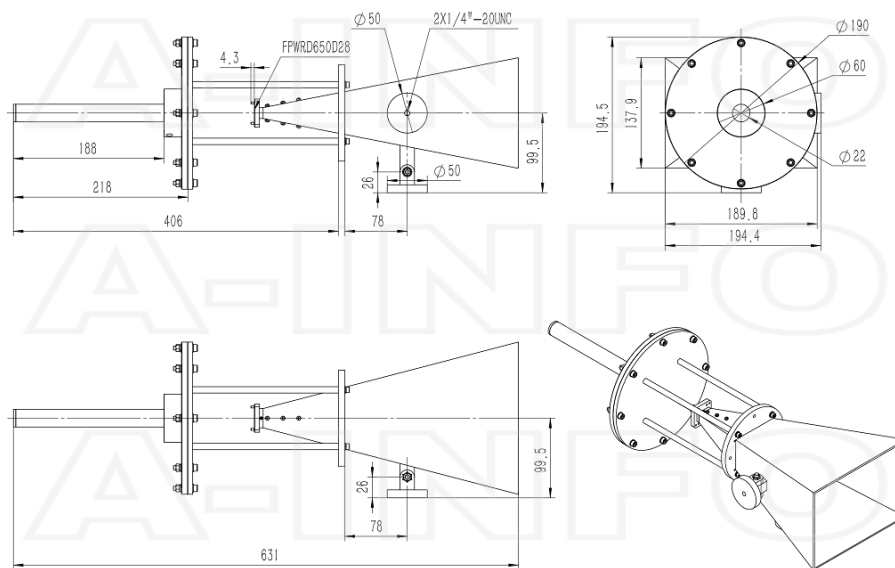
FPWRD650D28 Output with Round Mounting Bracket (Option, P/N: LB-51-25-MB2)



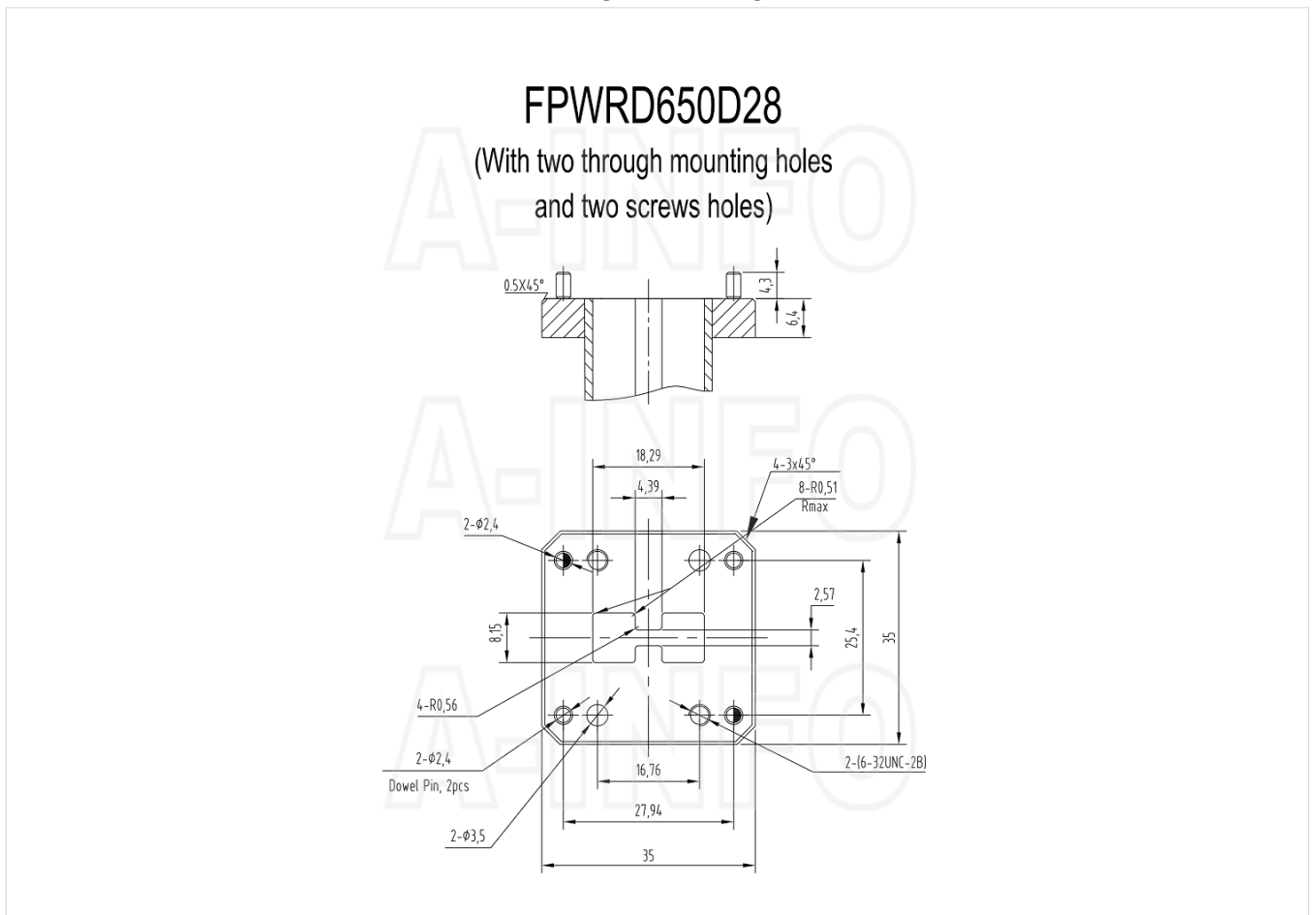
FPWRD650D28 Output with L Type Mounting Bracket (Option, P/N: LB-51-25-L2)



FPWRD650D28 Output with Stinger Type Bracket (Option, P/N: LB-60180-23-C-MA)

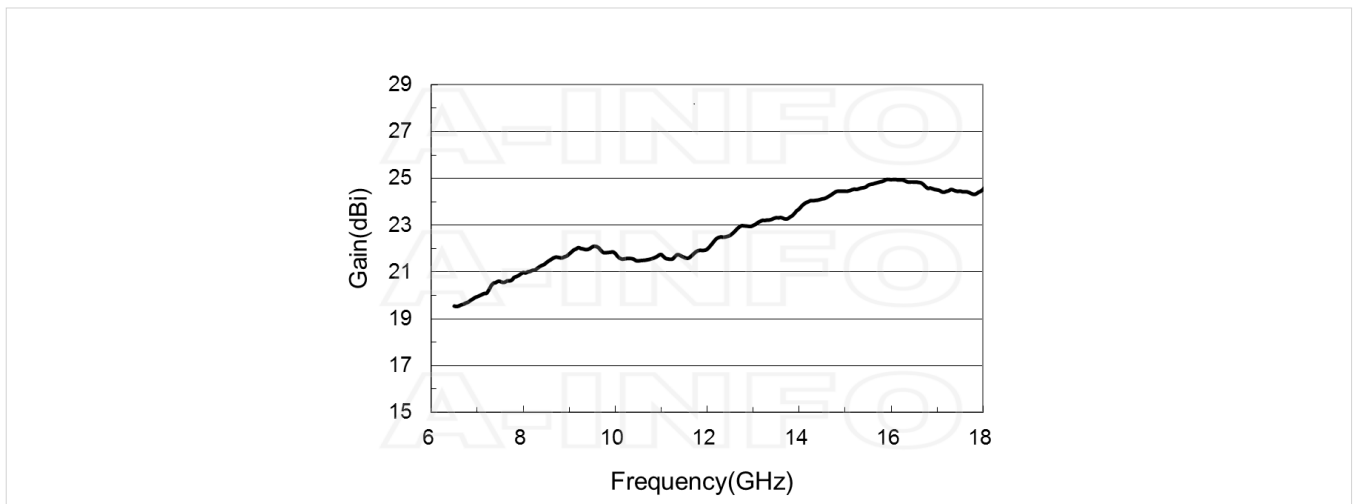


Flange Drawing

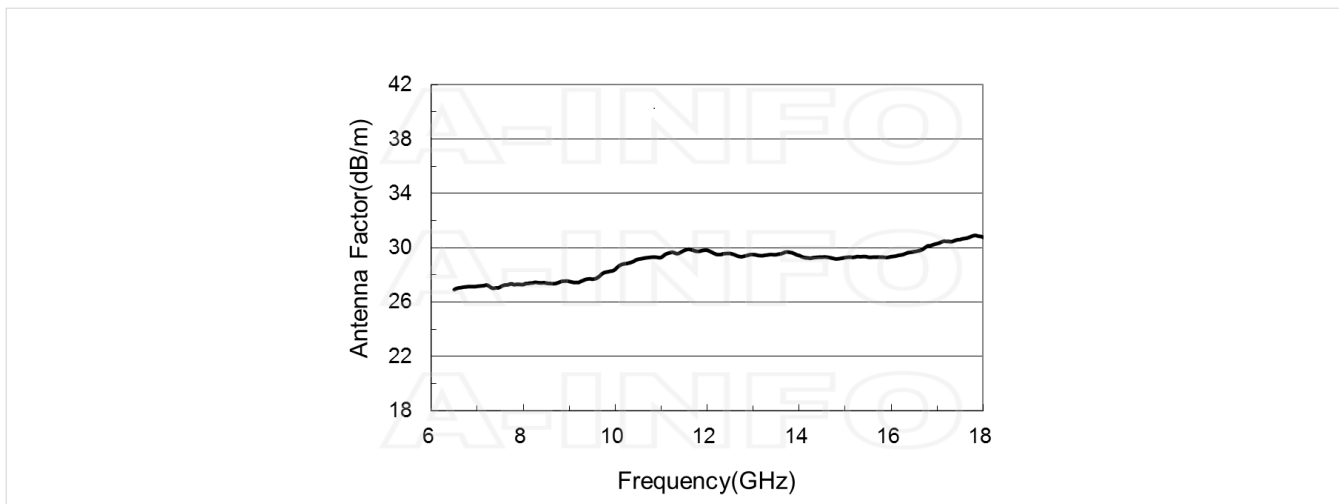


Typical Test Results

Gain



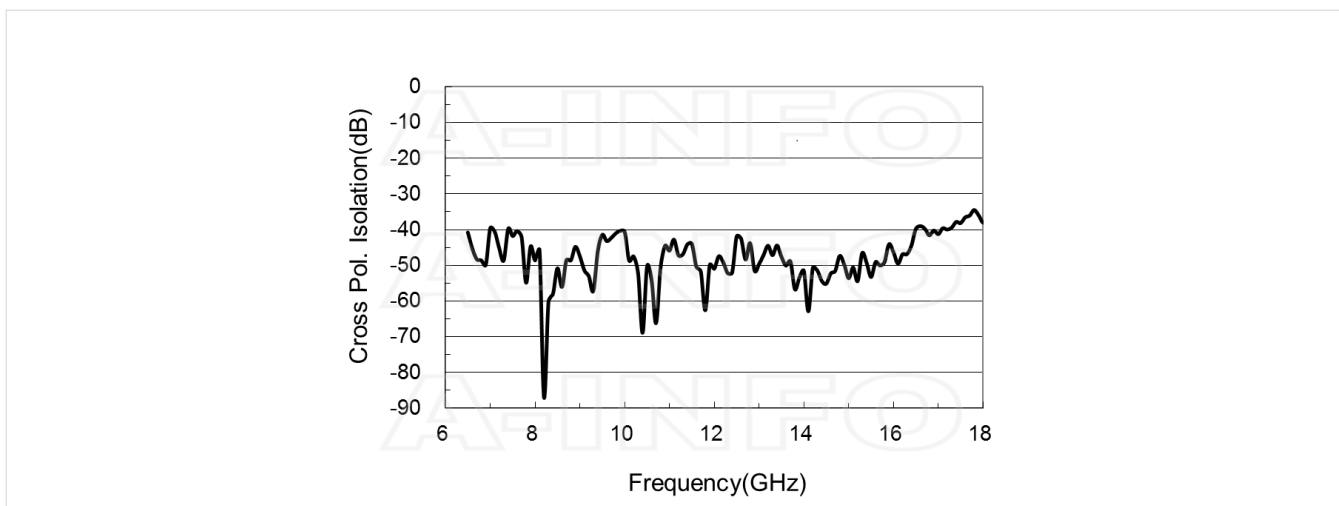
Antenna Factor



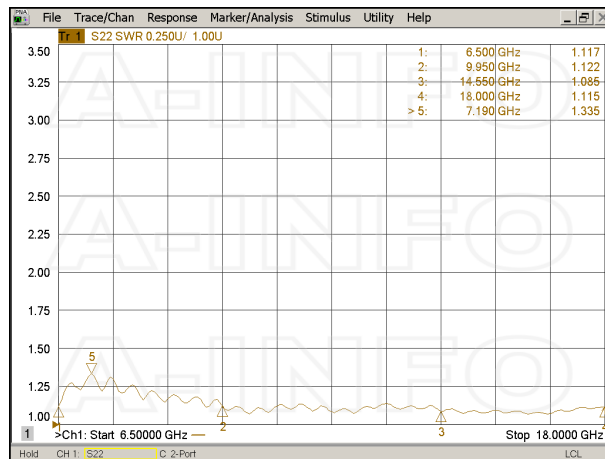
Antenna Factor (Table)

Frequency(GHz)	Gain(dBi)	AF(dB/m)
6.5	19.54	26.93
7.0	19.94	27.17
8.0	20.98	27.29
9.0	21.77	27.52
10.0	21.80	28.41
11.0	21.75	29.29
12.0	21.97	29.82
13.0	22.99	29.50
14.0	23.69	29.44
15.0	24.45	29.28
16.0	24.95	29.35
17.0	24.51	30.31
18.0	24.53	30.78

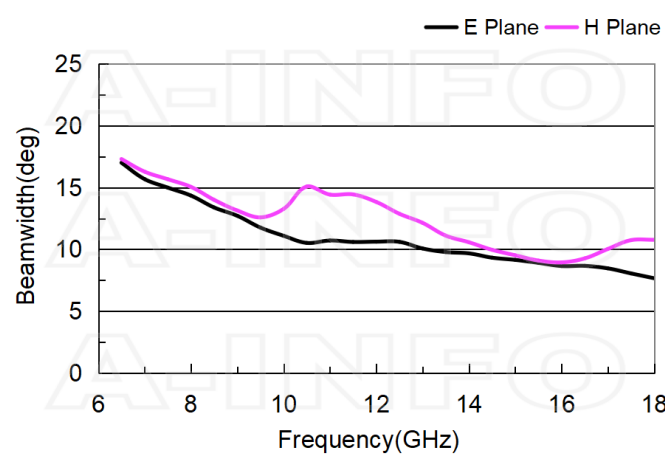
Cross Polarization Isolation



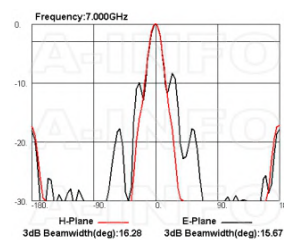
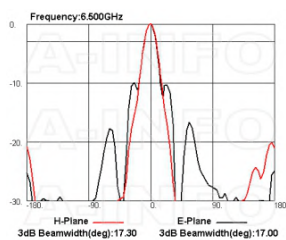
VSWR

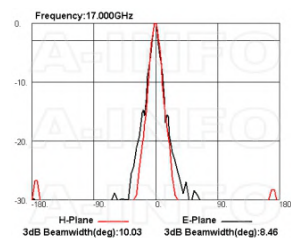
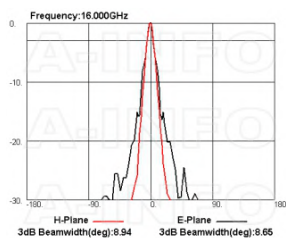
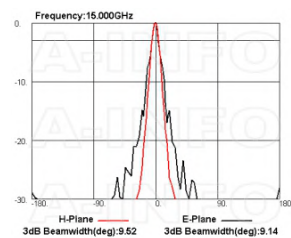
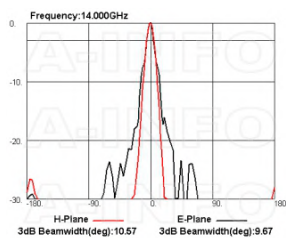
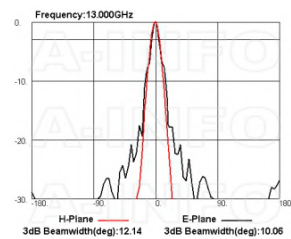
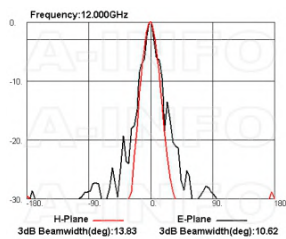
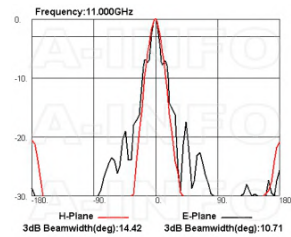
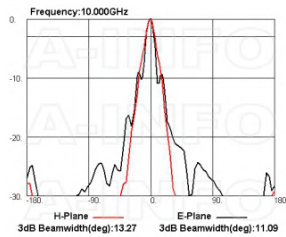
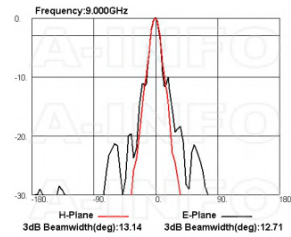
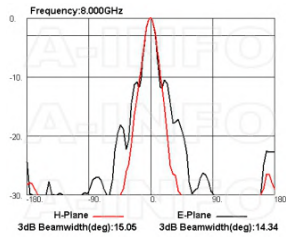


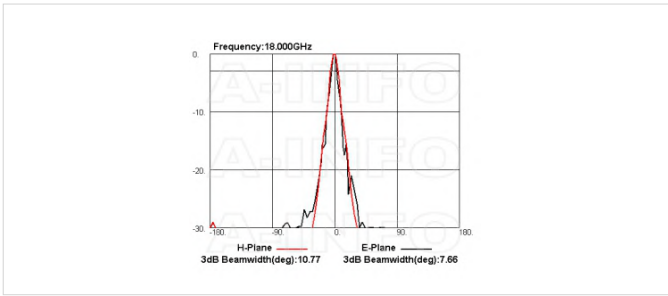
Beamwidth



Pattern







Related Products



650DRWCAN_Cu Right Angle Double Ridge Waveguide to Coaxial Adapter 6.5-18GHz WRD650 to N Type Female



650DRWCAS_Cu Right Angle Double Ridge Waveguide to Coaxial Adapter 6.5-18GHz WRD650 to SMA Female



650DRWECAN_Cu Endlaunch Double Ridge Waveguide to Coaxial Adapter 6.5-18GHz WRD650 to N Type Female



650DRWECANM_Cu Endlaunch Double Ridge Waveguide to Coaxial Adapter 6.5-18GHz WRD650 to N Type Male



650DRWECAS_Cu Endlaunch Double Ridge Waveguide to Coaxial Adapter 6.5-18GHz WRD650 to SMA Female



650DRWHCAN_Cu Right Angle High Power Double Ridge Waveguide to Coaxial Adapter 6.5-18GHz WRD650 to N Type Female



LB-51-25-MB2 Round Type Mounting Bracket



LB-51-25-L2 L type mounting bracket



Tripod_15Kg Al Alloy Tripod



3033HL Wooden Tripod



3033QM Wooden Tripod Metalfree

Similar Products



LB-65180-23-C-NF Multi Octave
Horn Antenna 6.5-18GHz 23dB
Gain N Type Female



LB-65180-23-C-SF Multi Octave
Horn Antenna 6.5-18GHz 23dB
Gain SMA Female



LB-65180-23-C-HNF Multi Octave
Horn Antenna 6.5-18GHz 23dB
Gain High Power N Type Female

About this Datasheet

<ul style="list-style-type: none"> ● Product Information Product Link: https://www.ainfoinc.com/lb-65180-23-a-multi-octave-horn-antenna-6-5-18-ghz-23db-gain-fpwr650d28 Data subject to change without notice. © A-INFO INC. 2024. All Rights Reserved 	<ul style="list-style-type: none"> ● Contact Us Address: 60 Tesla, Irvine, CA 92618, USA Website: www.ainfoinc.com Email: sales@ainfoinc.com 	<ul style="list-style-type: none"> ● Phone & Fax Phone: +1-949-639-9688 +1-949-639-9608 Fax: +1-949-639-9670
---	--	---