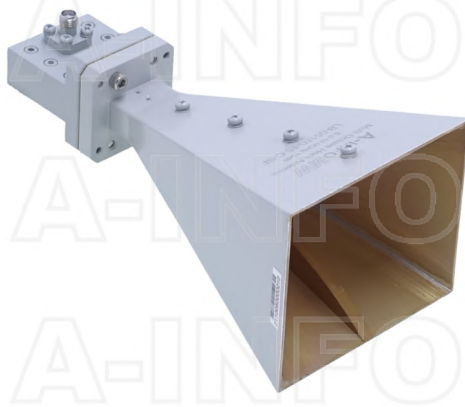


LB-60180-15-C-SF Multi Octave Horn Antenna 6.0-18.0GHz 15dB Gain  
SMA Female



Multi Octave Horn Antenna Operating From 6.0GHz to 18.0GHz With a Nominal 15dB Gain With SMA Female Connector

### Product Information

SKU	LB-60180-15-C-SF
-----	------------------

### Description

Multi octave horn antenna LB-60180-15-C-SF, operating from 6.0 to 18.0GHz with a nominal 15dB gain and low VSWR 1.5:1 with SMA Female output connector. The model LB-60180-15-C-SF has uniform gain through its frequency span, providing efficient performance characteristics and directionality. It can handle 50W continuously and 1000W peak power. Constructed of lightweight corrosion-resistant aluminum, the antenna will provide years of trouble-free indoor and outdoor service. This multi octave horn antenna is linearly polarized and ideally suited for EMI testing, direction finding, surveillance, antenna gain and pattern measurements and other applications.

## Technical Specification

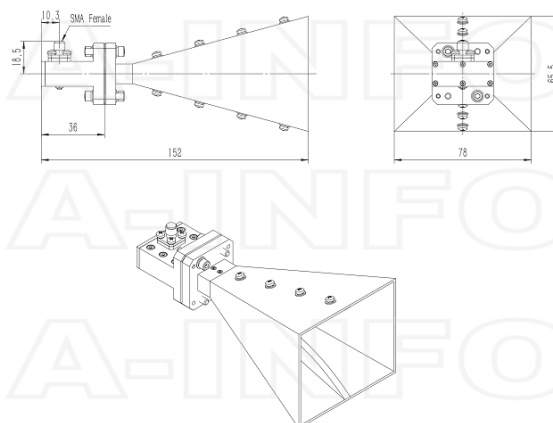
Electrical Specification		Interface	
Frequency, Min (GHz)	6	Output Type	Coaxial
Frequency, Max (GHz)	18	Connector	SMA
Waveguide Type	Double Ridge	Connector Gender	Female
Waveguide Size EIA WRD	WRD650	Mechanical Specification	
Gain, Typ (dBi)	15	Figure	C Type
Polarization	Linear	Body Material	Al
3dB Beamwidth, E-Plane, Min (Deg.)	18	Finish	Passivation and Chemical Conversion Coating, Gray Paint
3dB Beamwidth, E-Plane, Max (Deg.)	42	Size, W (mm)	78
3dB Beamwidth, H-Plane, Min (Deg.)	16	Size, H (mm)	65.5
3dB Beamwidth, H-Plane, Max (Deg.)	51	Size, L (mm)	152
Cross Pol. Isolation, Typ (dB)	40	Weight, (kg)	0.28
VSWR, Typ	1.5:1		
Impedance, (Ohm)	50		
Power Handling, CW, (W)	50		
Power Handling, Peak, (W)	1000		

## Additional Information

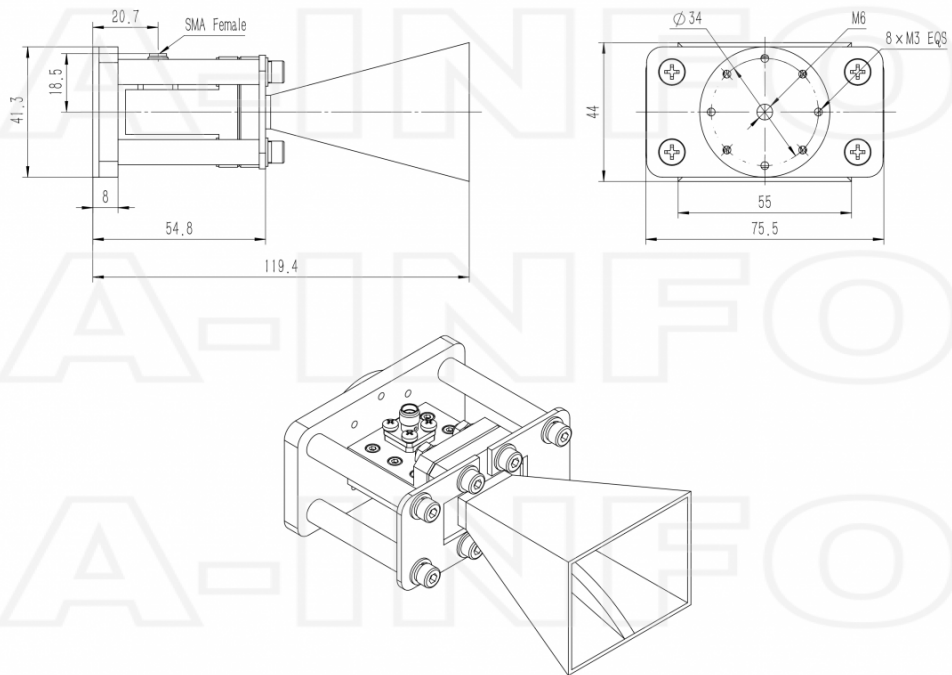
Application	General Purpose Indoor & Outdoor, Fixed	Solution for	Gain Reference Antenna Measurement Far-field Measurement System Intergration
-------------	---	--------------	---

## Outline Drawing

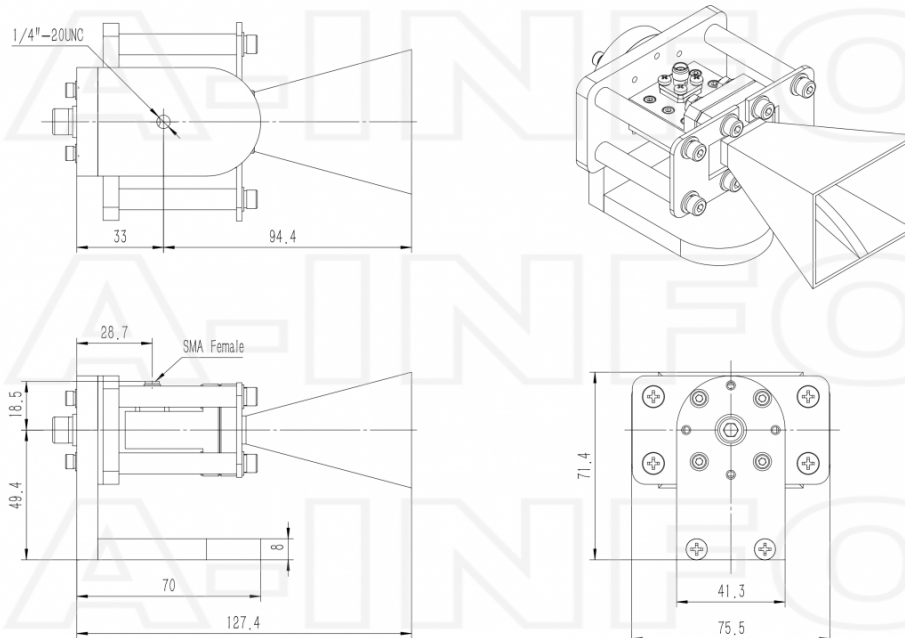
SMA-Female Output (P/N: LB-60180-15-C-SF)



SMA-Female Output with Round Mounting Bracket (Option, P/N: LB-65180-10-C-MB)

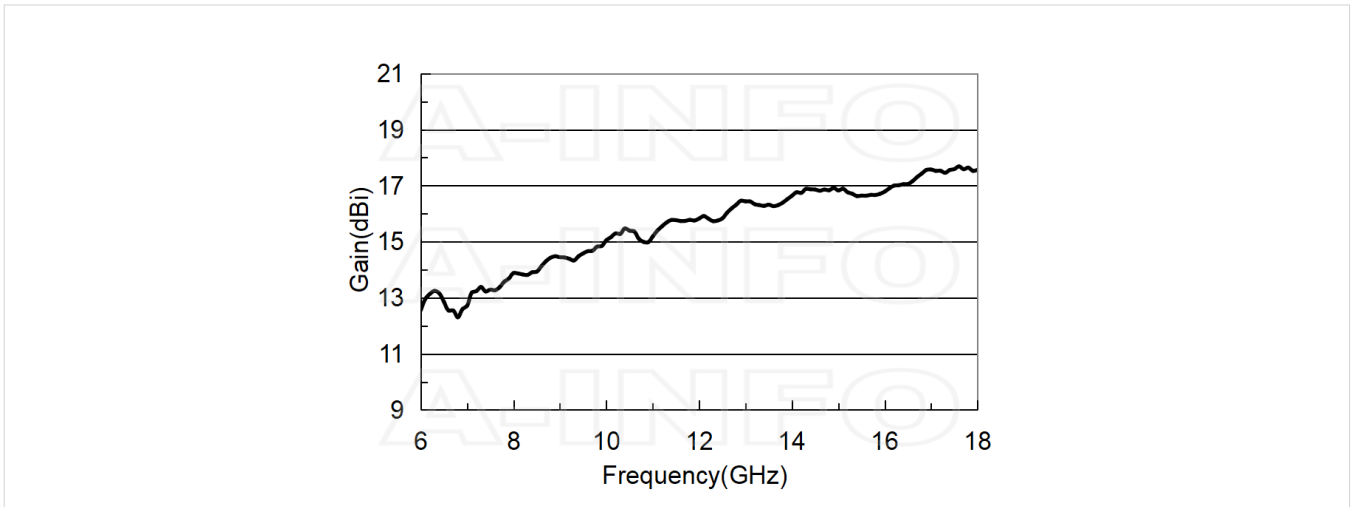


SMA-Female Output with L Type Mounting Bracket (Option, P/N: LB-65180-10-C-MBL)

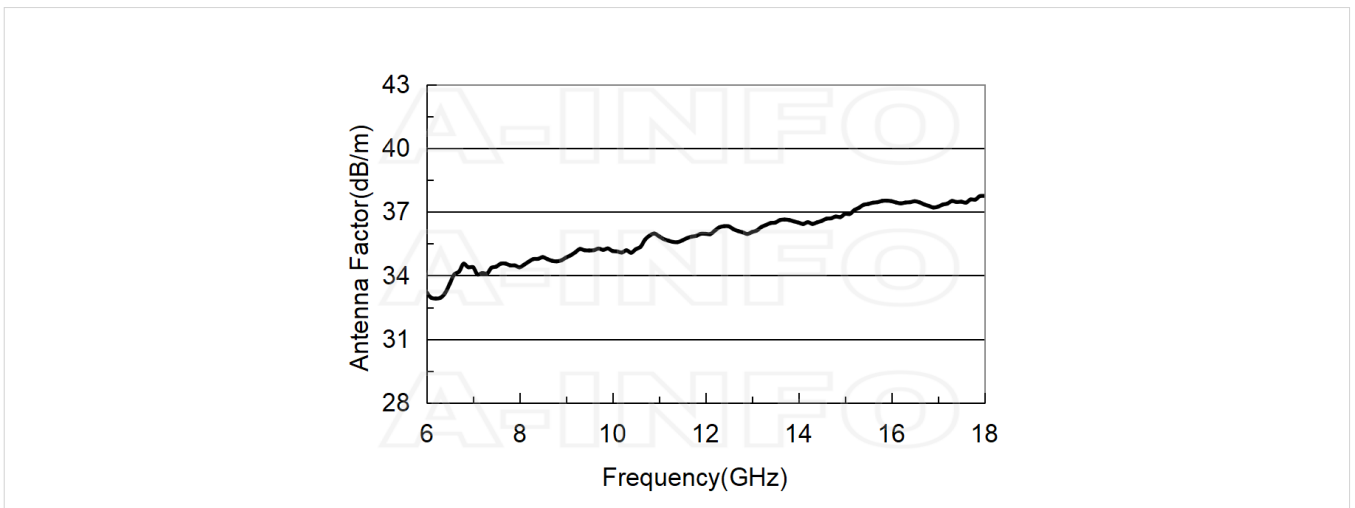


## Typical Test Results

### Gain



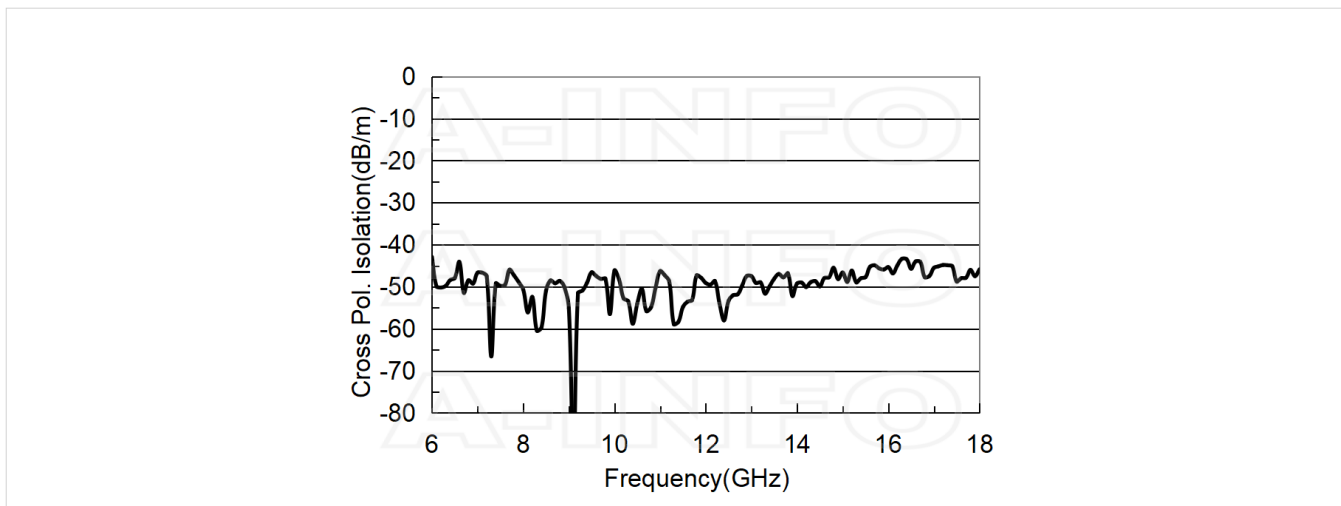
### Antenna Factor



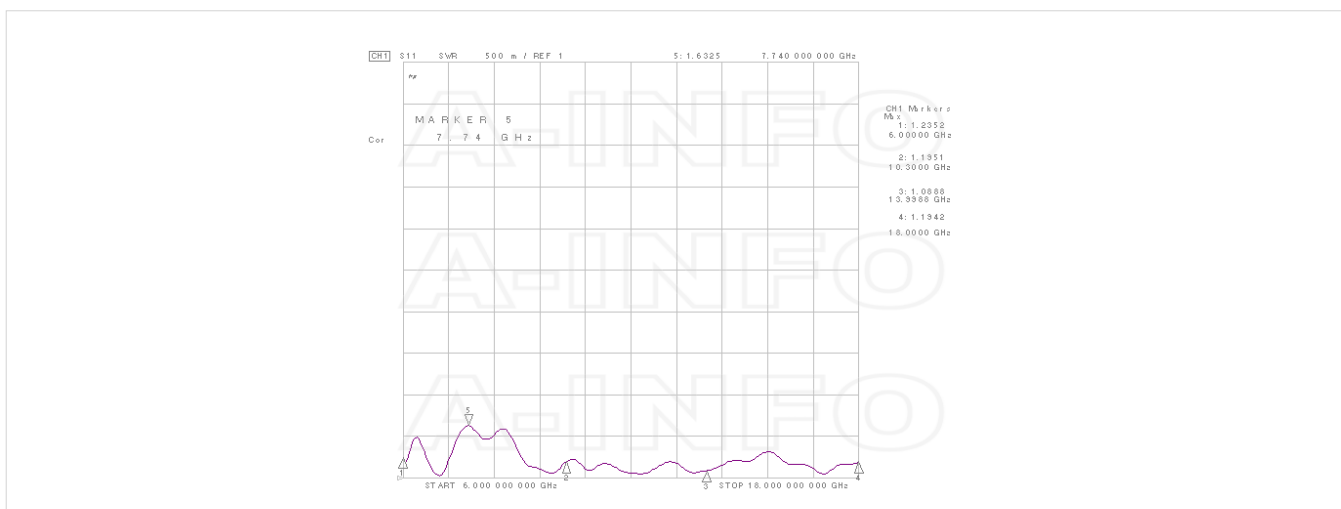
### Antenna Factor (Table)

Frequency(GHz)	Gain(dBi )	Antenna Factor(dB/m)
6.0	12.55	33.22
7.0	12.72	34.39
8.0	13.88	34.39
9.0	14.45	34.85
10.0	15.05	35.16
11.0	15.19	35.85
12.0	15.83	35.97
13.0	16.44	36.05
14.0	16.64	36.49
15.0	16.83	36.90
16.0	16.79	37.50
17.0	17.57	37.24
18.0	17.56	37.75

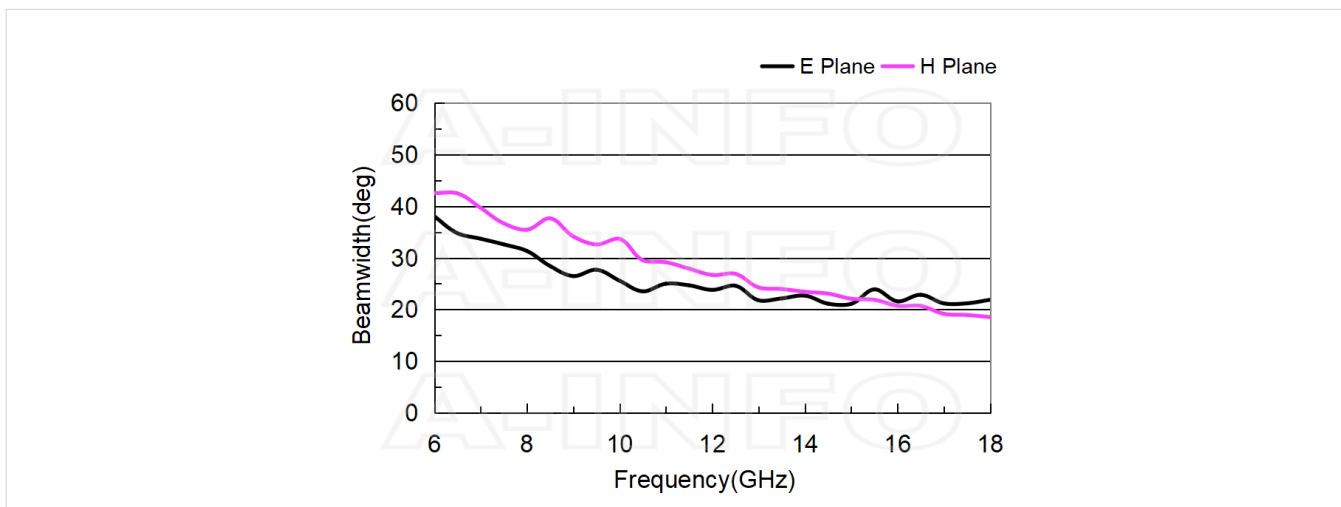
## Cross Polarization Isolation



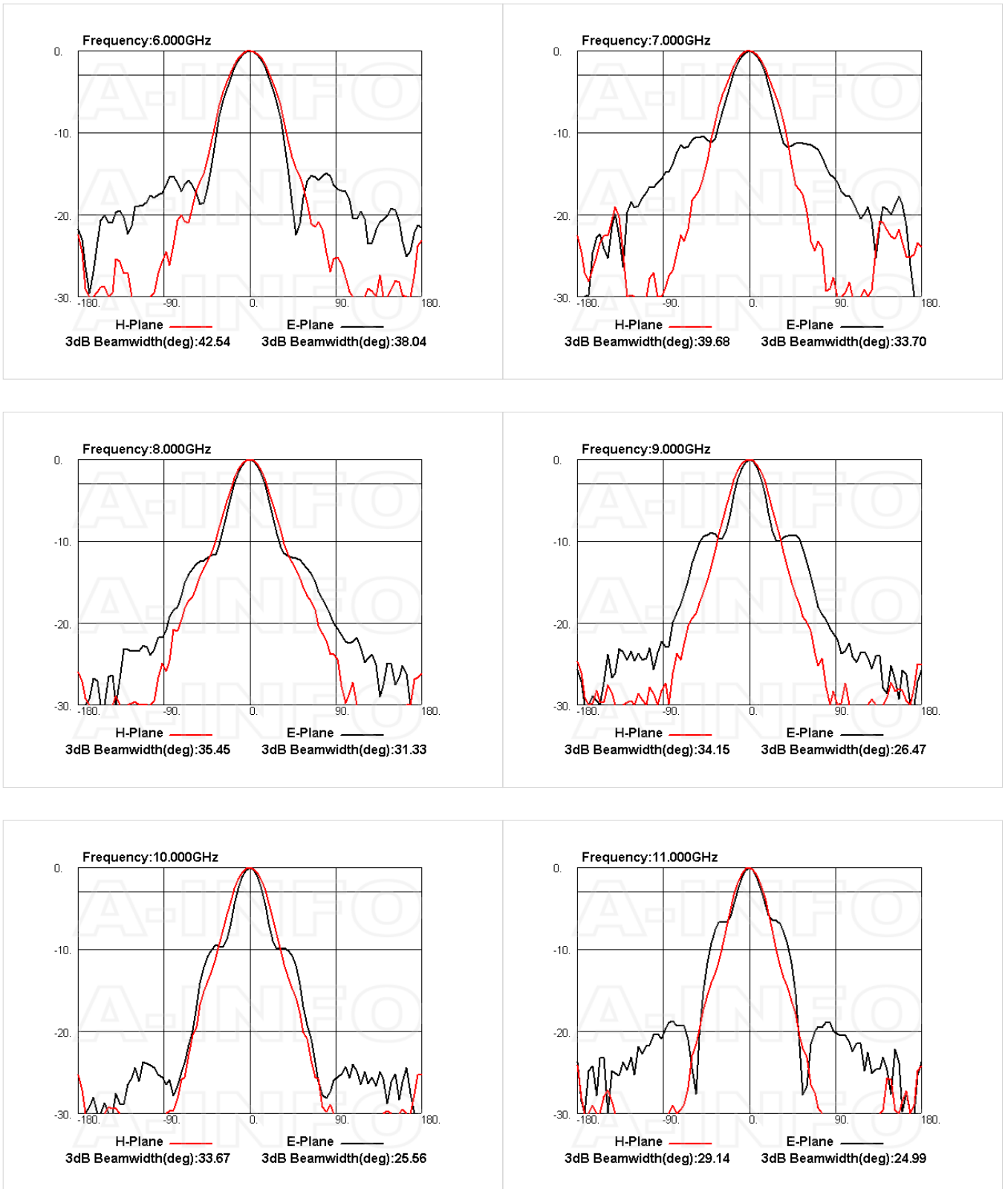
## VSWR

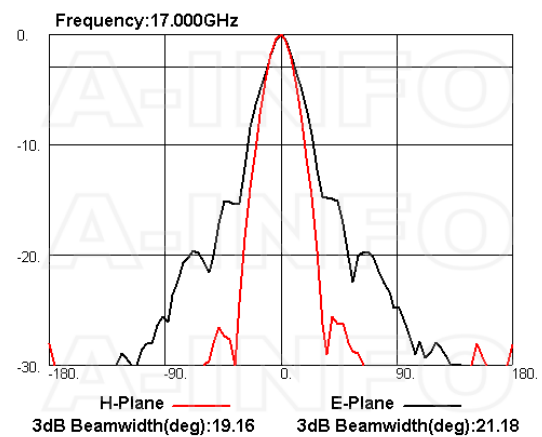
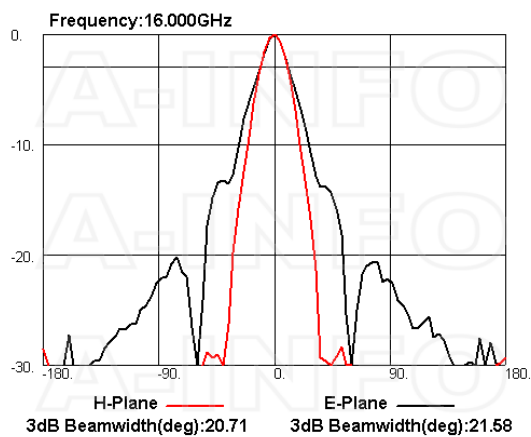
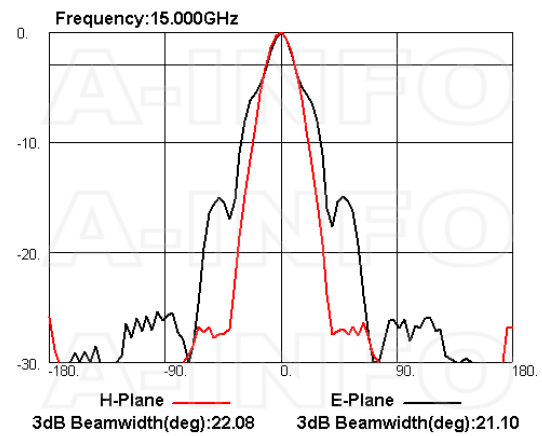
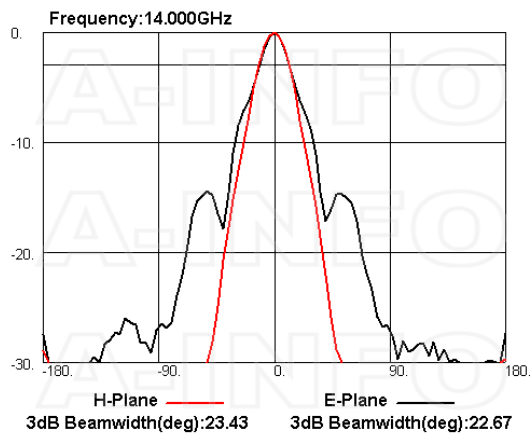
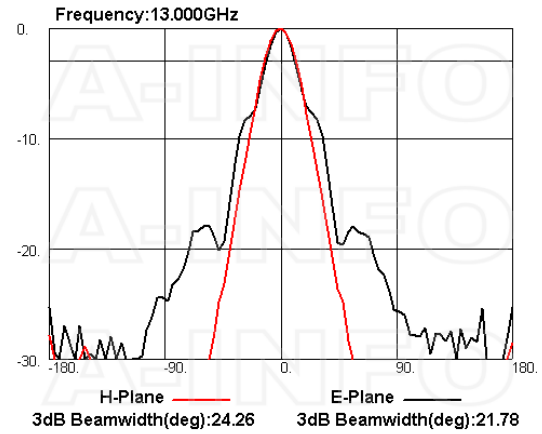
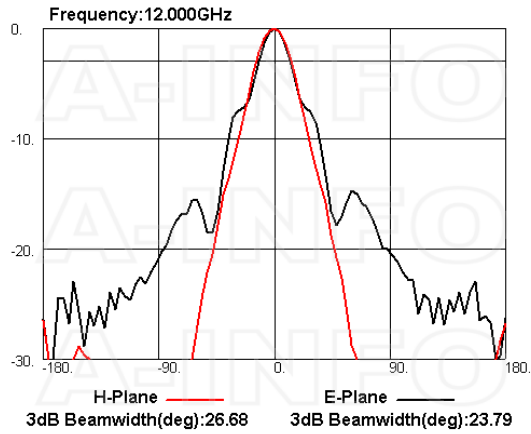


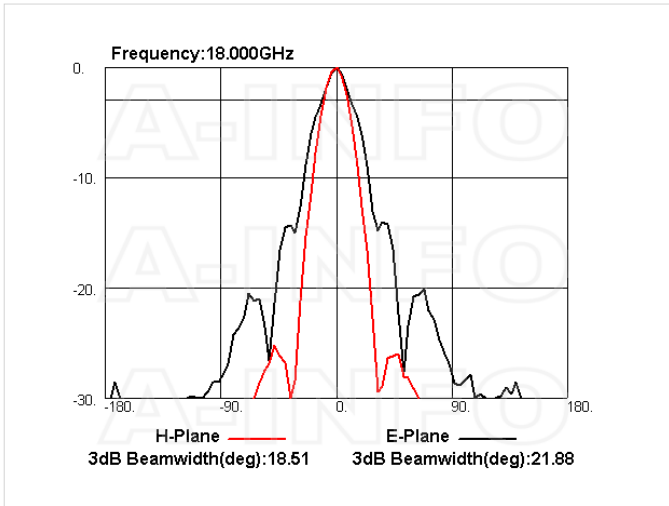
## Beamwidth



## Pattern







## Related Products



LB-65180-10-C-MB Round Type Mounting Bracket



LB-65180-10-C-MBL L type mounting bracket



Tripod\_15Kg Al Alloy Tripod



3033HL Wooden Tripod



3033QM Wooden Tripod Metalfree



Carrying Case\_LB-65180-15-C Al Alloy Carrying Case



SM-SM-A050-500 Flexible Cable Assembly 500mm DC- 26.5GHz SMA Male to SMA Male



SM-SM-A050-1000 Flexible Cable Assembly 1000mm DC- 26.5GHz SMA Male to SMA Male



SM-SM-A050-1500 Flexible Cable Assembly 1500mm DC- 26.5GHz SMA Male to SMA Male



SM-SM-A050-2000 Flexible Cable Assembly 2000mm DC- 26.5GHz SMA Male to SMA Male



SM-SM-A050-3000 Flexible Cable Assembly 3000mm DC- 26.5GHz SMA Male to SMA Male



SM-SM-A050-5000 Flexible Cable Assembly 5000mm DC- 26.5GHz SMA Male to SMA Male



SM-SM-A050-10000 Flexible Cable Assembly 10000mm DC-26.5GHz SMA Male to SMA Male



SM-SM-A080-500 Flexible Cable Assembly 500mm DC- 26.5GHz SMA Male to SMA Male



SM-SM-A080-1000 Flexible Cable Assembly 1000mm DC- 26.5GHz SMA Male to SMA Male



SM-SM-A080-1500 Flexible Cable Assembly 1500mm DC- 26.5GHz SMA Male to SMA Male



SM-SM-A080-2000 Flexible Cable Assembly 2000mm DC- 26.5GHz SMA Male to SMA Male



SM-SM-A080-3000 Flexible Cable Assembly 3000mm DC- 26.5GHz SMA Male to SMA Male



SM-SM-A080-5000 Flexible Cable Assembly 5000mm DC- 26.5GHz SMA Male to SMA Male



SM-SM-A080-10000 Flexible Cable Assembly 10000mm DC- 26.5GHz SMA Male to SMA Male



SM-SM-A080-20000 Flexible Cable Assembly 20000mm DC- 26.5GHz SMA Male to SMA Male



SM-SM-A100-100 Flexible Cable Assembly 100mm DC- 18GHz SMA Male to SMA Male



SM-SM-A100-200 Flexible Cable Assembly 200mm DC- 18GHz SMA Male to SMA Male



SM-SM-A100-300 Flexible Cable Assembly 300mm DC- 18GHz SMA Male to SMA Male



SM-SM-A100-500 Flexible Cable Assembly 500mm DC- 18GHz SMA Male to SMA Male



SM-SM-A100-1000 Flexible Cable Assembly 1000mm DC- 18GHz SMA Male to SMA Male



SM-SM-A100-1500 Flexible Cable Assembly 1500mm DC- 18GHz SMA Male to SMA Male



SM-SM-A100-2000 Flexible Cable Assembly 2000mm DC- 18GHz SMA Male to SMA Male



SM-SM-A100-3000 Flexible Cable Assembly 3000mm DC- 18GHz SMA Male to SMA Male



SM-SM-A100-5000 Flexible Cable Assembly 5000mm DC- 18GHz SMA Male to SMA Male

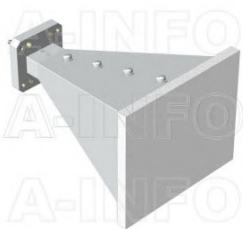


SM-SM-A100-10000 Flexible Cable Assembly 10000mm DC- 18GHz SMA Male to SMA Male

## Similar Products



LB-60180-15-A Multi Octave Horn Antenna 6.0-18.0GHz 15dB Gain Double Ridge Waveguide Interface



LB-60180-15-ASPO Multi Octave Horn Antenna 6.0-18.0GHz 15dB Gain Double Ridge Waveguide Interface



LB-60180-15-C-NF Multi Octave Horn Antenna 6.0-18.0GHz 15dB Gain N Type Female



LB-60180-15-C-NFSPO Multi Octave Horn Antenna 6.0-18.0GHz 15dB Gain N Type Female



LB-60180-15-C-SFSPO Multi Octave Horn Antenna 6.0-18.0GHz 15dB Gain SMA Female



LB-60180-15-C-HNF Multi Octave Horn Antenna 6.0-18.0GHz 15dB Gain High Power N Type Female



LB-60180-15-C-HNFSPO Multi Octave Horn Antenna 6.0-18.0GHz 15dB Gain High Power N Type Female

## About this Datasheet

<p>● <b>Product Information</b>                  Product Link:  <a href="https://www.ainfoinc.com/lb-60180-15-c-sf-multi-octave-horn-antenna-6-0-18-0-ghz-15db-gain-sma-female">https://www.ainfoinc.com/lb-60180-15-c-sf-multi-octave-horn-antenna-6-0-18-0-ghz-15db-gain-sma-female</a>                  Data subject to change without notice.                  © A-INFO INC. 2024. All Rights Reserved</p>	<p>● <b>Contact Us</b>                  Address:                  60 Tesla, Irvine, CA 92618, USA                   Website:  <a href="http://www.ainfoinc.com">www.ainfoinc.com</a>                   Email:  <a href="mailto:sales@ainfoinc.com">sales@ainfoinc.com</a></p>	<p>● <b>Phone &amp; Fax</b>                  Phone:                  +1-949-639-9688                  +1-949-639-9608                   Fax:                  +1-949-639-9670</p>
--	---	---