



LB-58160-20-C-SF Multi Octave Horn Antenna 5.8-16GHz 20dB Gain SMA Female

Multi Octave Horn Antenna Operating From 5.8GHz to 16GHz With a Nominal 20dB Gain With SMA Female Connector

### Product Information

SKU	LB-58160-20-C-SF
-----	------------------

### Description

Multi octave horn antenna LB-58160-20-C-SF, operating from 5.8 to 16GHz with a nominal 20dB gain and low VSWR 1.5:1 with SMA Female output connector. The model LB-58160-20-C-SF has uniform gain through its frequency span, providing efficient performance characteristics and directionality. It can handle 50W continuously and 1000W peak power. Constructed of lightweight corrosion-resistant aluminum, the antenna will provide years of trouble-free indoor and outdoor service. This multi octave horn antenna is linearly polarized and ideally suited for EMI testing, direction finding, surveillance, antenna gain and pattern measurements and other applications.

## Technical Specification

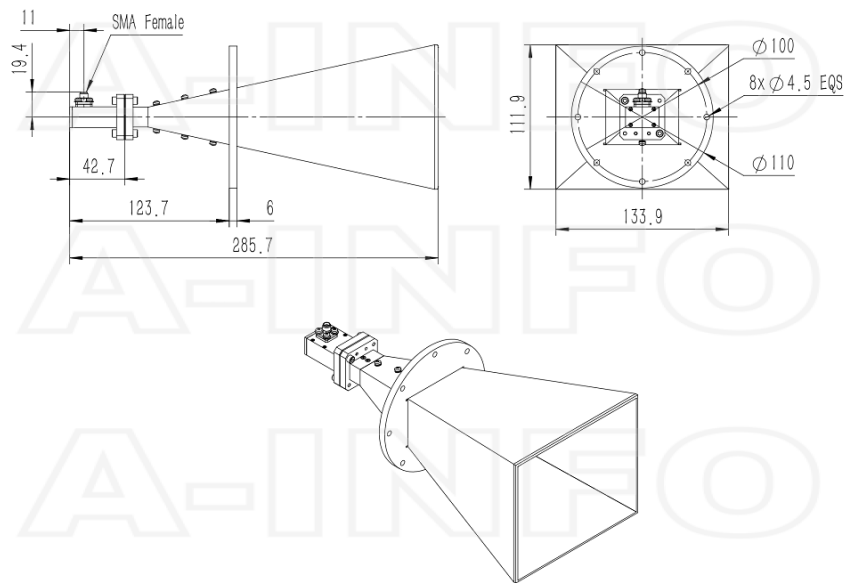
Electrical Specification		Interface	
Frequency, Min (GHz)	5.8	Output Type	Coaxial
Frequency, Max (GHz)	16	Connector	SMA
Waveguide Type	Double Ridge	Connector Gender	Female
Waveguide Size EIA WRD	WRD580	Mechanical Specification	
Gain, Typ (dBi)	20	Figure	C Type
Polarization	Linear	Body Material	Al
3dB Beamwidth, E-Plane, Min (Deg.)	7	Finish	Passivation and Chemical Conversion Coating, Gray Paint
3dB Beamwidth, E-Plane, Max (Deg.)	26	Size, W (mm)	134
3dB Beamwidth, H-Plane, Min (Deg.)	8	Size, H (mm)	111.9
3dB Beamwidth, H-Plane, Max (Deg.)	29	Size, L (mm)	285.7
Cross Pol. Isolation, Typ (dB)	40	Weight, (kg)	0.74
VSWR, Typ	1.5:1		
Impedance, (Ohm)	50		
Power Handling, CW, (W)	50		
Power Handling, Peak, (W)	1000		

## Additional Information

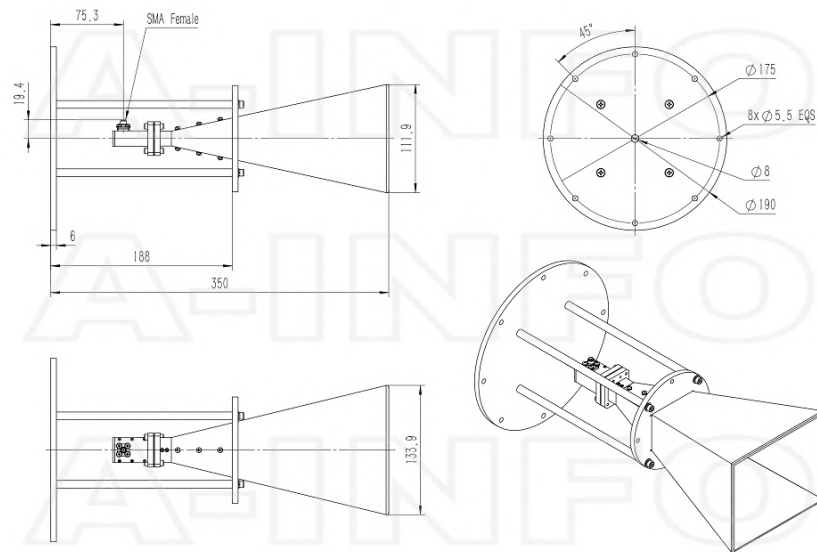
Application	General Purpose Indoor & Outdoor, Fixed	Solution for	Gain Reference Antenna Measurement Far-field Measurement System Intergration
-------------	---	--------------	---

## Outline Drawing

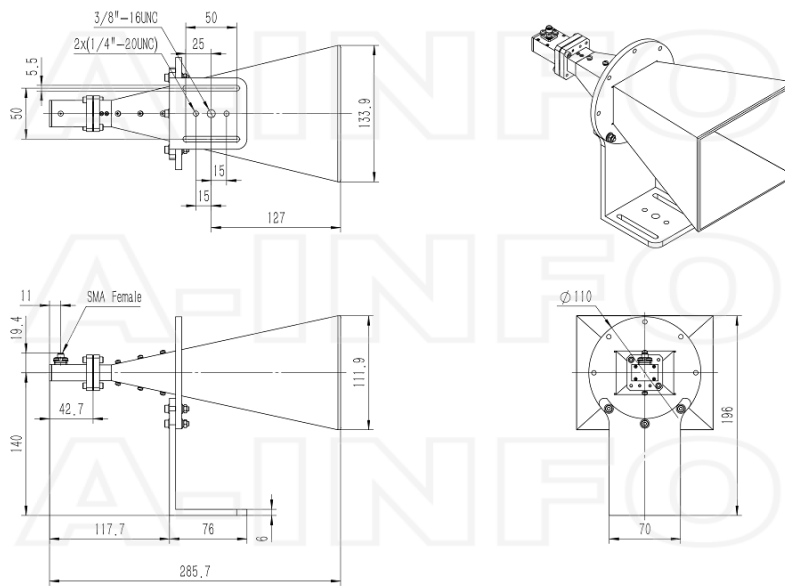
SMA-Female Output (P/N: LB-58160-20-C-SF)



SMA-Female Output with Round Mounting Bracket (Option, P/N: LB-51-25-MB2)

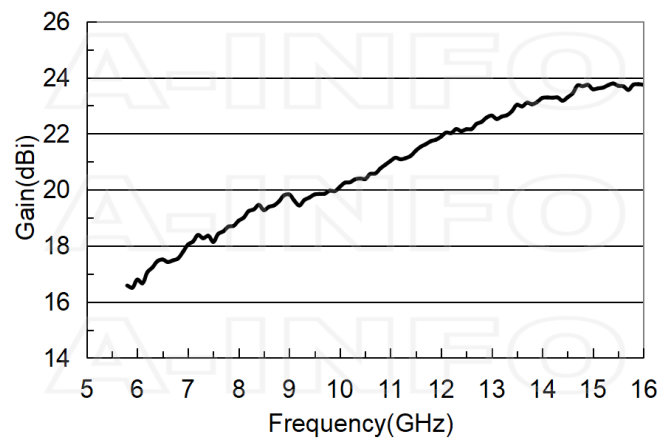


SMA-Female Output with L Type Mounting Bracket (Option, P/N: LB-51-25-L2)

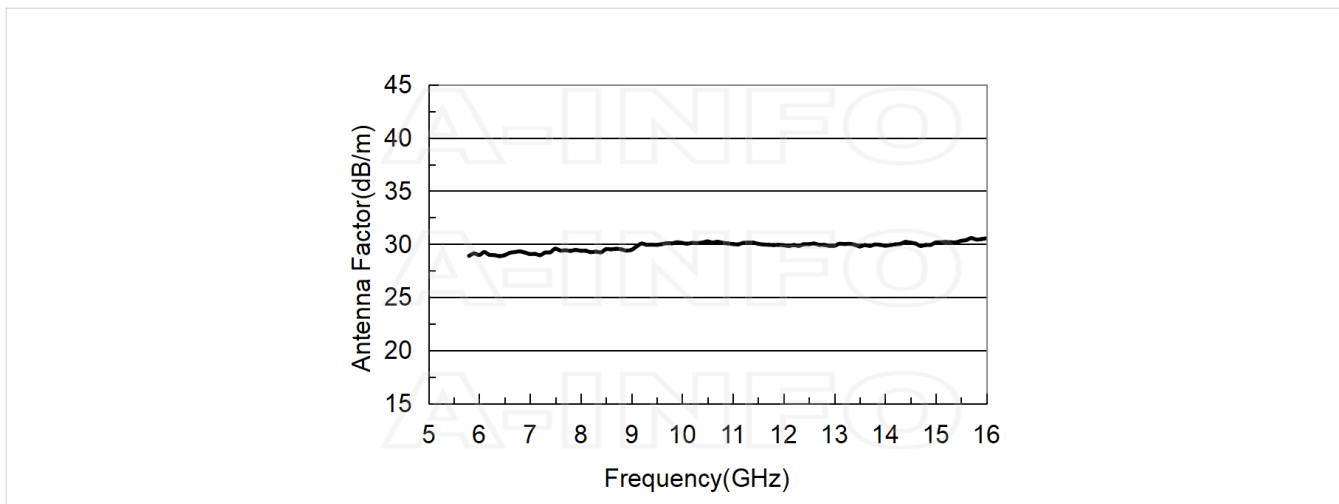


## Typical Test Results

### Gain



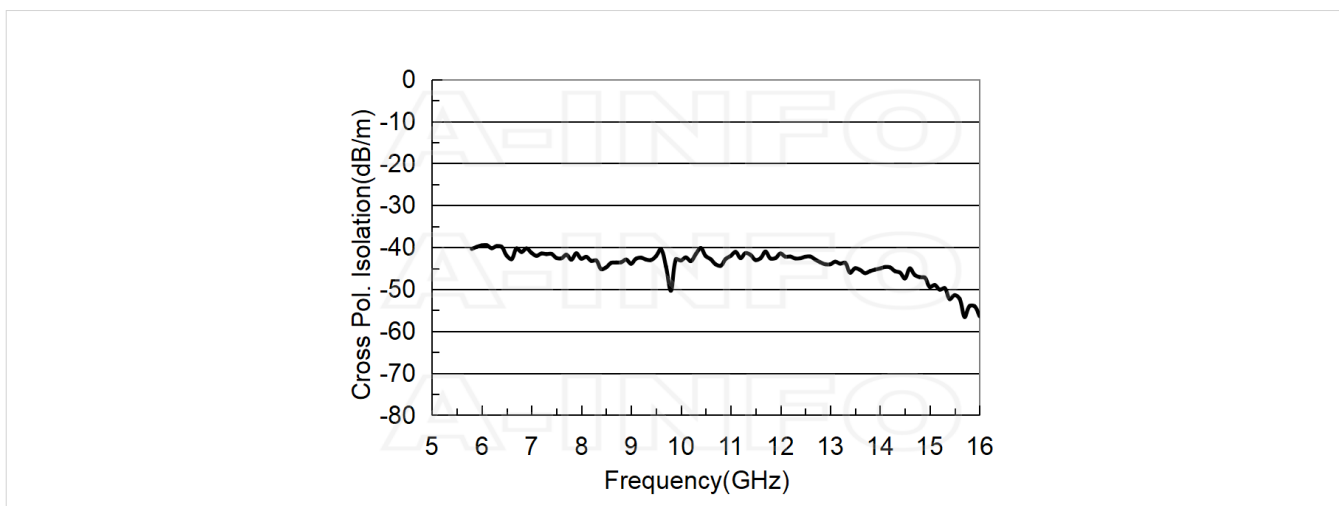
## Antenna Factor



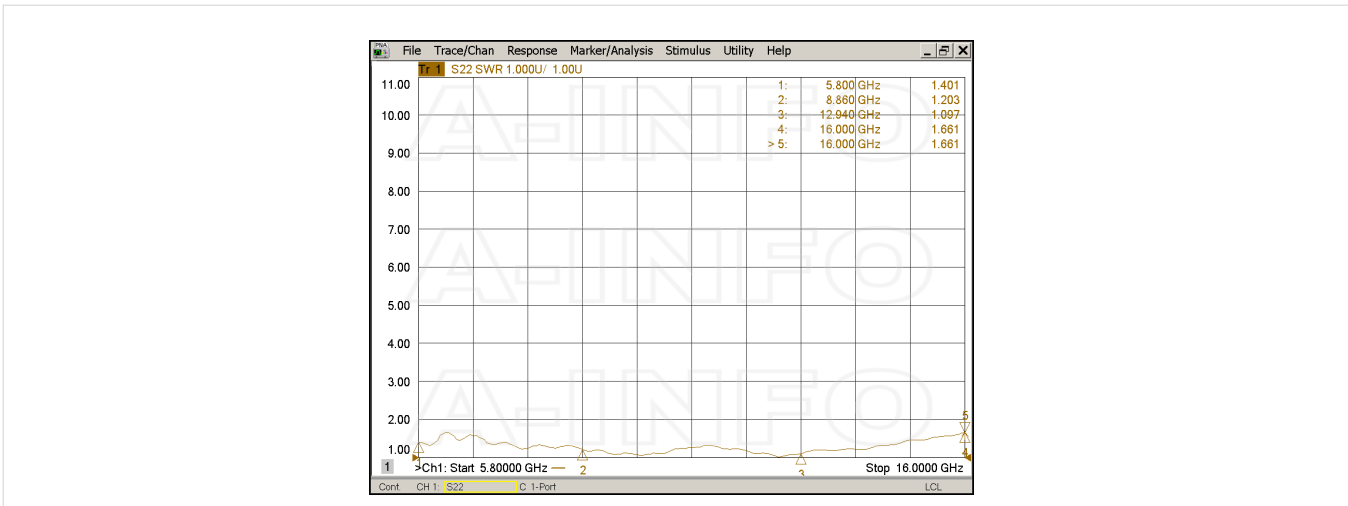
## Antenna Factor (Table)

Frequency(GHz)	Gain(dBi)	AF(dB/m)
5.8	16.58	28.90
6.0	16.79	28.98
7.0	18.04	29.07
8.0	18.89	29.38
9.0	19.83	29.46
10.0	20.10	30.11
11.0	21.02	30.01
12.0	21.89	29.90
13.0	22.64	29.85
14.0	23.27	29.86
15.0	23.58	30.15
16.0	23.74	30.55

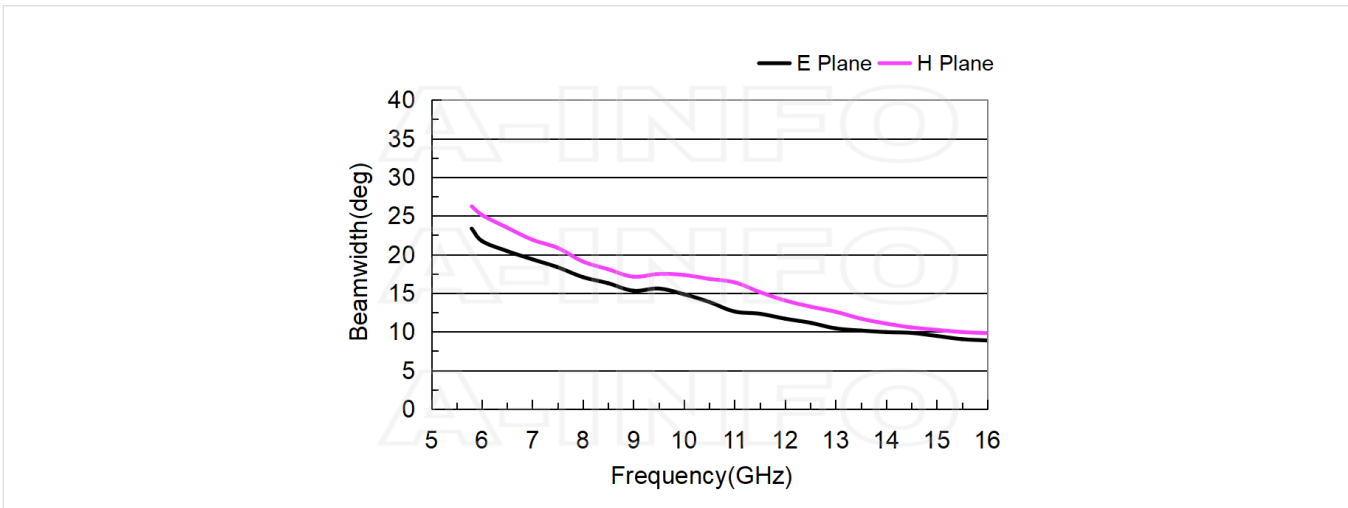
## Cross Polarization Isolation



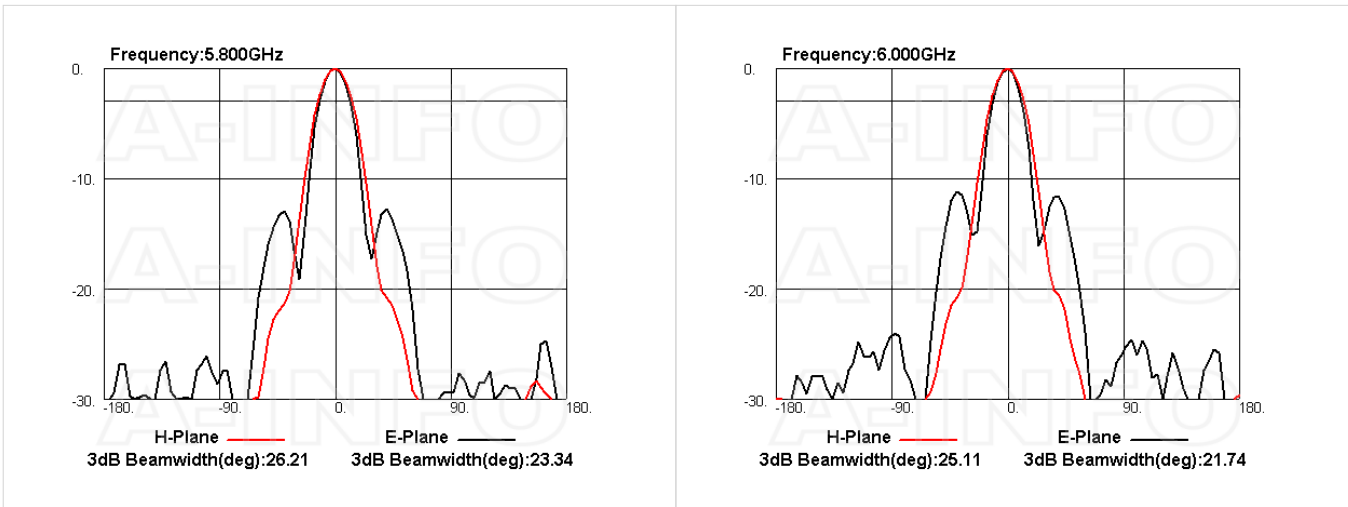
## VSWR

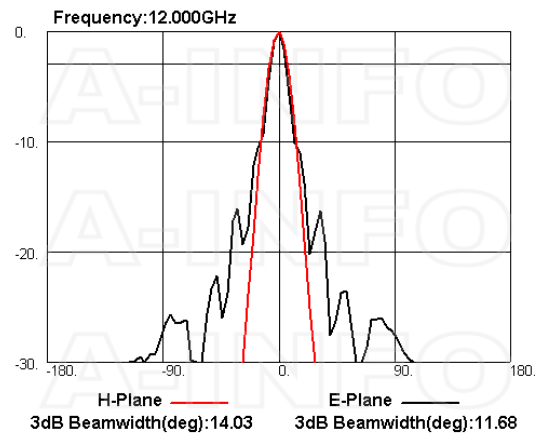
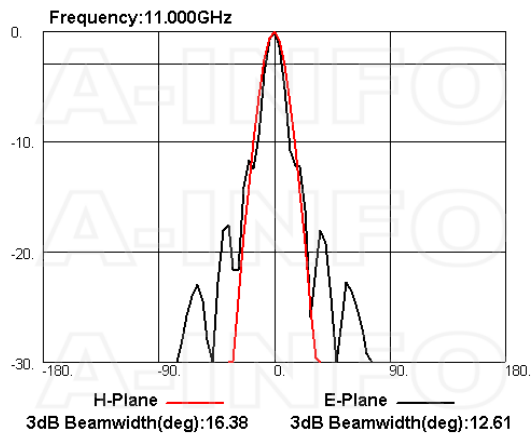
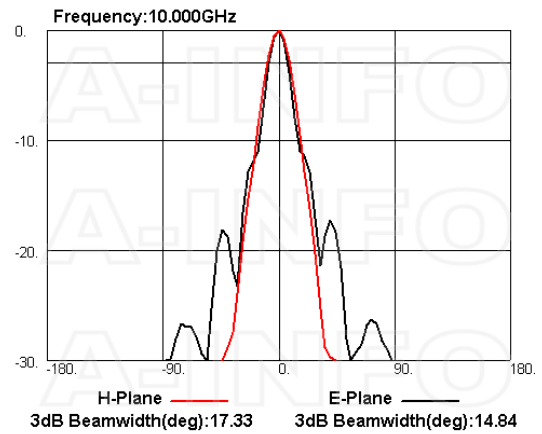
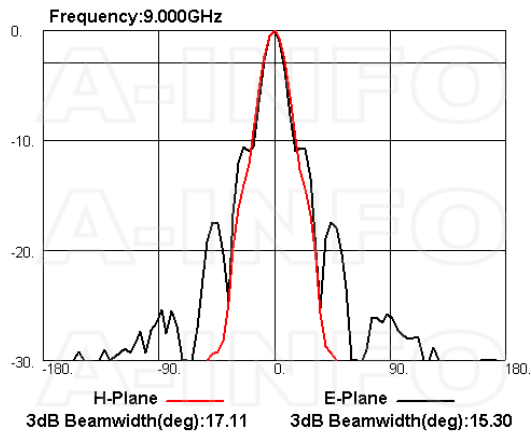
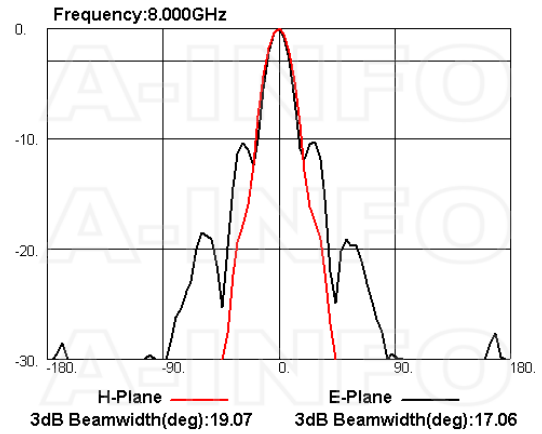
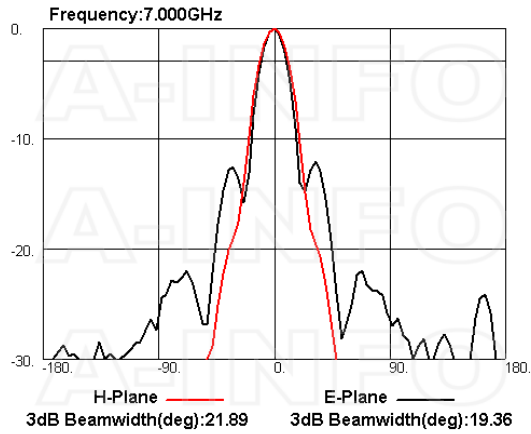


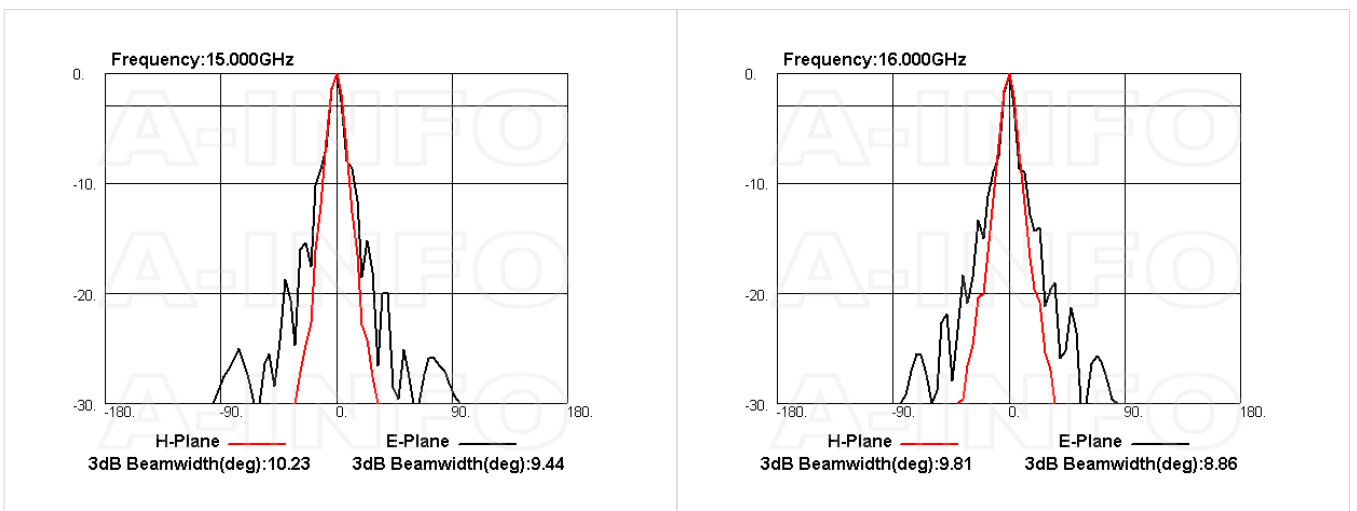
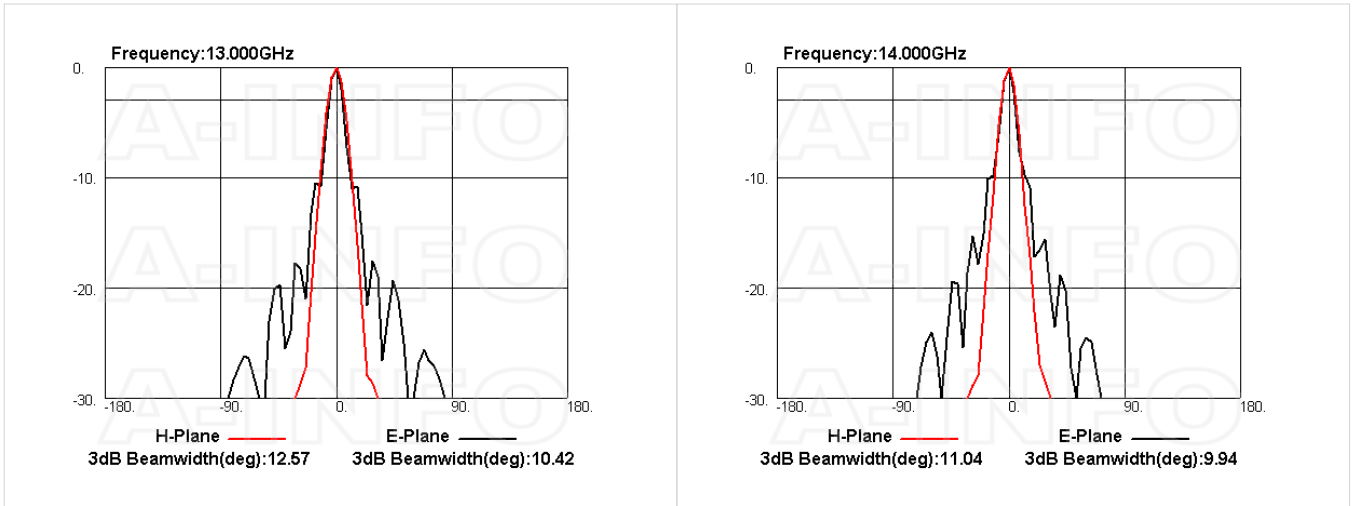
## Beamwidth



## Pattern







## Related Products



LB-51-25-MB2 Round Type Mounting Bracket



LB-51-25-L2 L type mounting bracket



Tripod\_15Kg Al Alloy Tripod



3033HL Wooden Tripod



3033QM Wooden Tripod  
Metalfree



SM-SM-A050-1000 Flexible Cable  
Assembly 1000mm DC- 26.5GHz  
SMA Male to SMA Male



SM-SM-A050-1500 Flexible Cable  
Assembly 1500mm DC- 26.5GHz  
SMA Male to SMA Male



SM-SM-A050-2000 Flexible Cable  
Assembly 2000mm DC- 26.5GHz  
SMA Male to SMA Male



SM-SM-A050-3000 Flexible Cable  
Assembly 3000mm DC- 26.5GHz  
SMA Male to SMA Male



SM-SM-A050-5000 Flexible Cable  
Assembly 5000mm DC- 26.5GHz  
SMA Male to SMA Male



SM-SM-A050-10000 Flexible  
Cable Assembly 10000mm DC-  
26.5GHz SMA Male to SMA Male



SM-SM-A080-500 Flexible Cable  
Assembly 500mm DC- 26.5GHz  
SMA Male to SMA Male



SM-SM-A080-1000 Flexible Cable  
Assembly 1000mm DC- 26.5GHz  
SMA Male to SMA Male



SM-SM-A080-1500 Flexible Cable  
Assembly 1500mm DC- 26.5GHz  
SMA Male to SMA Male



SM-SM-A080-2000 Flexible Cable  
Assembly 2000mm DC- 26.5GHz  
SMA Male to SMA Male



SM-SM-A080-3000 Flexible Cable  
Assembly 3000mm DC- 26.5GHz  
SMA Male to SMA Male



SM-SM-A080-5000 Flexible Cable  
Assembly 5000mm DC- 26.5GHz  
SMA Male to SMA Male



SM-SM-A080-10000 Flexible  
Cable Assembly 10000mm DC-  
26.5GHz SMA Male to SMA Male



SM-SM-A080-20000 Flexible  
Cable Assembly 20000mm DC-  
26.5GHz SMA Male to SMA Male



SM-SM-A100-100 Flexible Cable  
Assembly 100mm DC- 18GHz  
SMA Male to SMA Male



SM-SM-A100-200 Flexible Cable Assembly 200mm DC- 18GHz SMA Male to SMA Male



SM-SM-A100-300 Flexible Cable Assembly 300mm DC- 18GHz SMA Male to SMA Male



SM-SM-A100-500 Flexible Cable Assembly 500mm DC- 18GHz SMA Male to SMA Male



SM-SM-A100-1000 Flexible Cable Assembly 1000mm DC- 18GHz SMA Male to SMA Male



SM-SM-A100-1500 Flexible Cable Assembly 1500mm DC- 18GHz SMA Male to SMA Male



SM-SM-A100-2000 Flexible Cable Assembly 2000mm DC- 18GHz SMA Male to SMA Male



SM-SM-A100-3000 Flexible Cable Assembly 3000mm DC- 18GHz SMA Male to SMA Male



SM-SM-A100-5000 Flexible Cable Assembly 5000mm DC- 18GHz SMA Male to SMA Male



SM-SM-A100-10000 Flexible Cable Assembly 10000mm DC- 18GHz SMA Male to SMA Male

## Similar Products



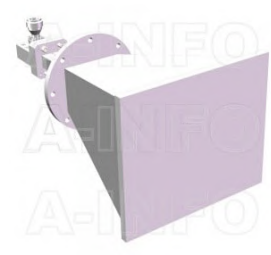
LB-58160-20-A Multi Octave Horn Antenna 5.8-16GHz 20dB Gain Double Ridge Waveguide Interface



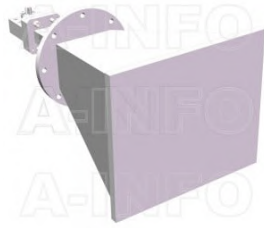
LB-58160-20-ASPO Multi Octave Horn Antenna 5.8-16GHz 20dB Gain Double Ridge Waveguide Interface



LB-58160-20-C-NF Multi Octave Horn Antenna 5.8-16GHz 20dB Gain N Type Female



LB-58160-20-C-NFSPO Multi Octave Horn Antenna 5.8-16GHz 20dB Gain N Type Female



LB-58160-20-C-SFSPO Multi  
Octave Horn Antenna 5.8-16GHz  
20dB Gain SMA Female

## About this Datasheet

<ul style="list-style-type: none"> <li>● <b>Product Information</b></li> </ul> <p>Product Link:  <a href="https://www.ainfoinc.com/lb-58160-20-c-sf-multi-octave-horn-antenna-5-8-16-ghz-20db-gain-sma-female">https://www.ainfoinc.com/lb-58160-20-c-sf-multi-octave-horn-antenna-5-8-16-ghz-20db-gain-sma-female</a>            Data subject to change without notice.            © A-INFO INC. 2024. All Rights Reserved</p>	<ul style="list-style-type: none"> <li>● <b>Contact Us</b></li> </ul> <p>Address:            60 Tesla, Irvine, CA 92618,            USA</p> <p>Website:  <a href="http://www.ainfoinc.com">www.ainfoinc.com</a></p> <p>Email:  <a href="mailto:sales@ainfoinc.com">sales@ainfoinc.com</a></p>	<ul style="list-style-type: none"> <li>● <b>Phone &amp; Fax</b></li> </ul> <p>Phone:            +1-949-639-9688            +1-949-639-9608</p> <p>Fax:            +1-949-639-9670</p>
---	---	---