

LB-58160-20-C-NF Multi Octave Horn Antenna 5.8-16GHz 20dB Gain N Type Female



Multi Octave Horn Antenna Operating From 5.8GHz to 16GHz With a Nominal 20dB Gain With N Type Female Connector

### Product Information

SKU	LB-58160-20-C-NF
-----	------------------

### Description

Multi octave horn antenna LB-58160-20-C-NF, operating from 5.8 to 16GHz with a nominal 20dB gain and low VSWR 1.5:1 with N Type Female output connector. The model LB-58160-20-C-NF has uniform gain through its frequency span, providing efficient performance characteristics and directionality. It can handle 150W continuously and 3000W peak power. Constructed of lightweight corrosion-resistant aluminum, the antenna will provide years of trouble-free indoor and outdoor service. This multi octave horn antenna is linearly polarized and ideally suited for EMI testing, direction finding, surveillance, antenna gain and pattern measurements and other applications.

### Technical Specification

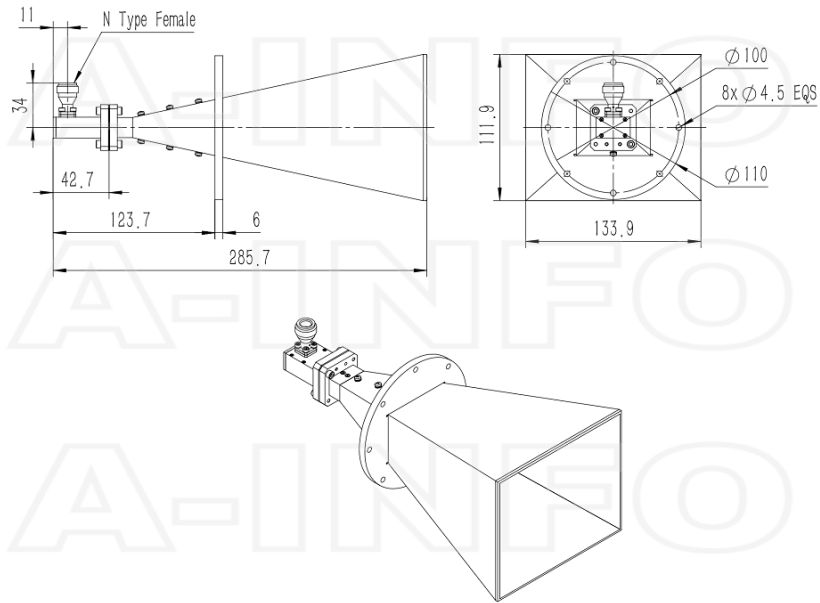
Electrical Specification		Interface	
Frequency, Min (GHz)	5.8	Output Type	Coaxial
Frequency, Max (GHz)	16	Connector	N Type
Waveguide Type	Double Ridge	Connector Gender	Female
Waveguide Size EIA WRD	WRD580	Mechanical Specification	
Gain, Typ (dBi)	20	Figure	C Type
Polarization	Linear	Body Material	Al
3dB Beamwidth, E-Plane, Min (Deg.)	7	Finish	Passivation and Chemical Conversion Coating, Gray Paint
3dB Beamwidth, E-Plane, Max (Deg.)	26	Size, W (mm)	134
3dB Beamwidth, H-Plane, Min (Deg.)	8	Size, H (mm)	111.9
3dB Beamwidth, H-Plane, Max (Deg.)	29	Size, L (mm)	285.7
Cross Pol. Isolation, Typ (dB)	40	Weight, (kg)	0.74
VSWR, Typ	1.5:1		
Impedance, (Ohm)	50		
Power Handling, CW, (W)	150		
Power Handling, Peak, (W)	3000		

### Additional Information

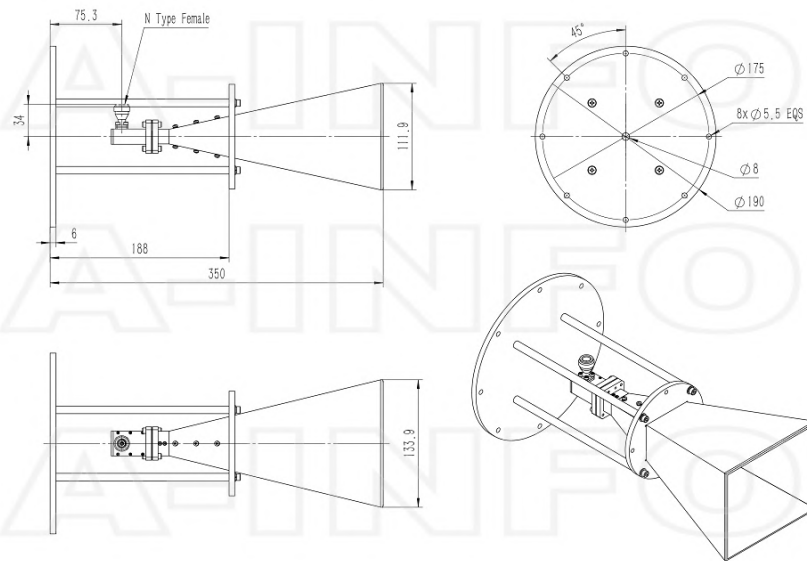
Application	General Purpose Indoor & Outdoor, Fixed	Solution for	Gain Reference Antenna Measurement Far-field Measurement System Intergration
-------------	---	--------------	---

## Outline Drawing

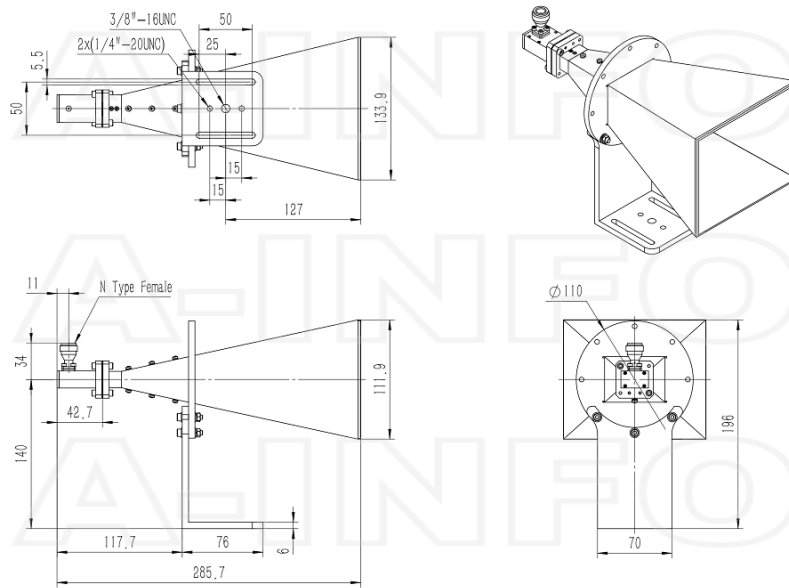
N-Female Output (P/N: LB-58160-20-C-NF)



N-Female Output with Round Mounting Bracket (Option, P/N: LB-51-25-MB2)

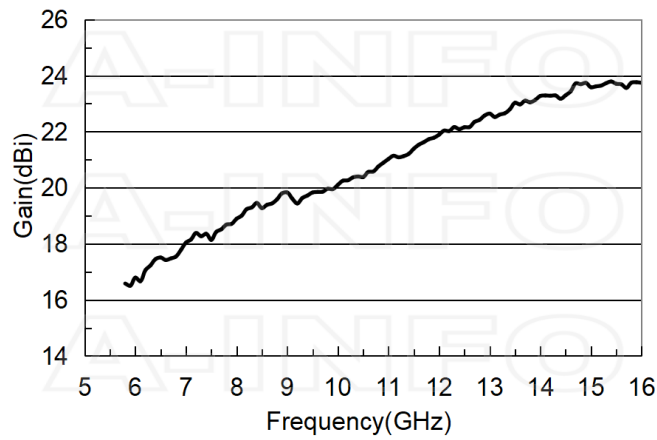


N-Female Output with L Type Mounting Bracket (Option, P/N: LB-51-25-L2)

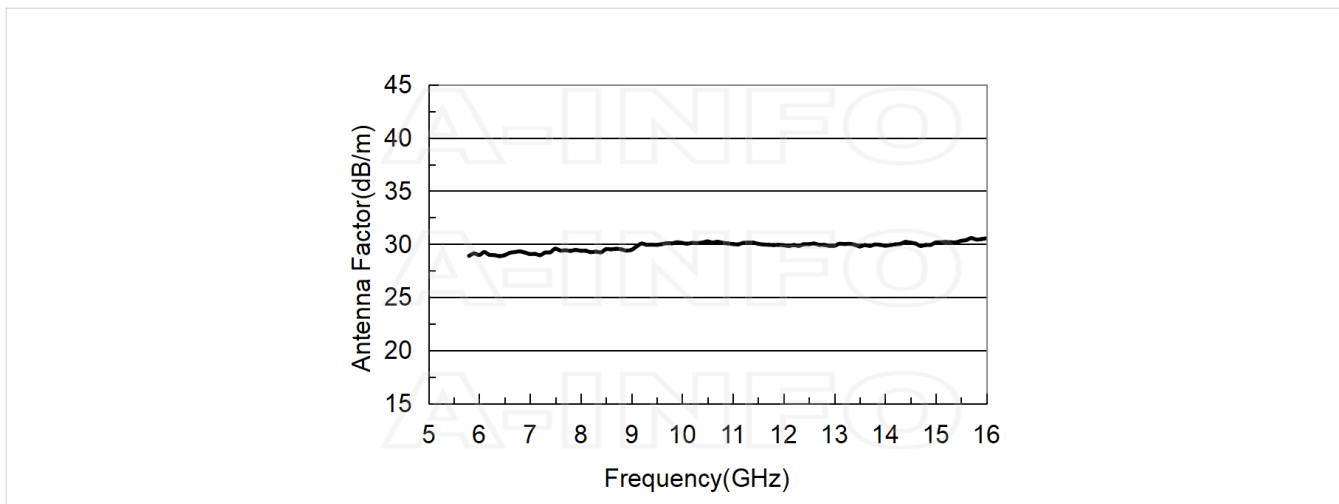


## Typical Test Results

### Gain



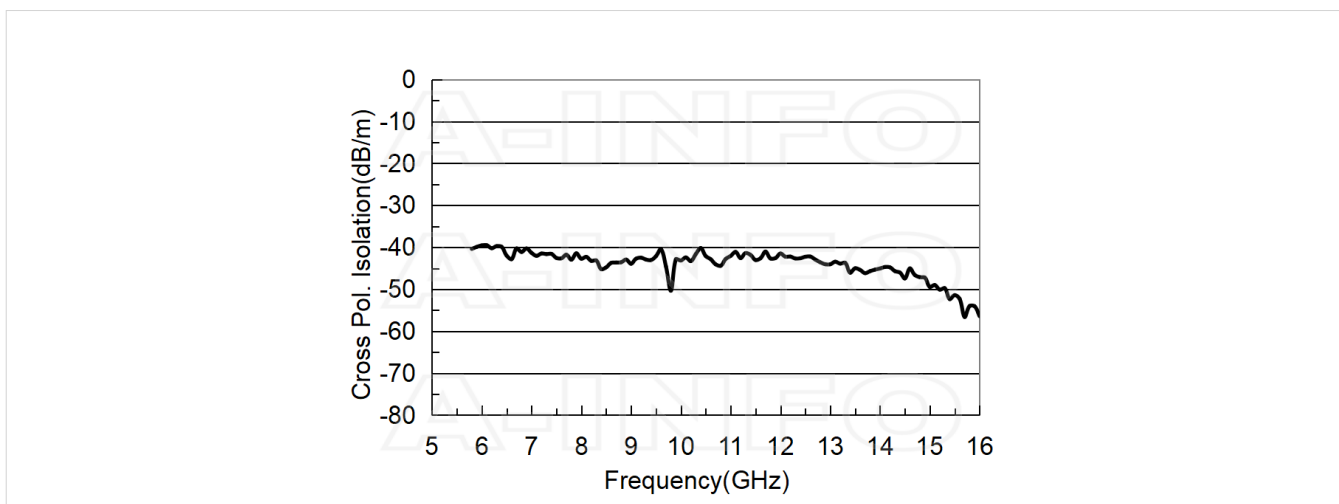
## Antenna Factor



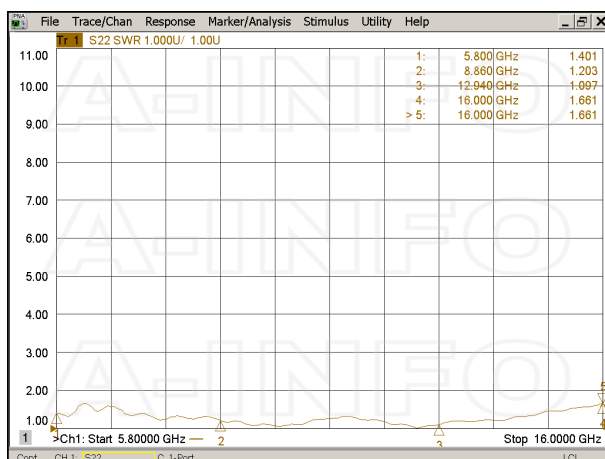
## Antenna Factor (Table)

Frequency(GHz)	Gain(dBi)	AF(dB/m)
5.8	16.58	28.90
6.0	16.79	28.98
7.0	18.04	29.07
8.0	18.89	29.38
9.0	19.83	29.46
10.0	20.10	30.11
11.0	21.02	30.01
12.0	21.89	29.90
13.0	22.64	29.85
14.0	23.27	29.86
15.0	23.58	30.15
16.0	23.74	30.55

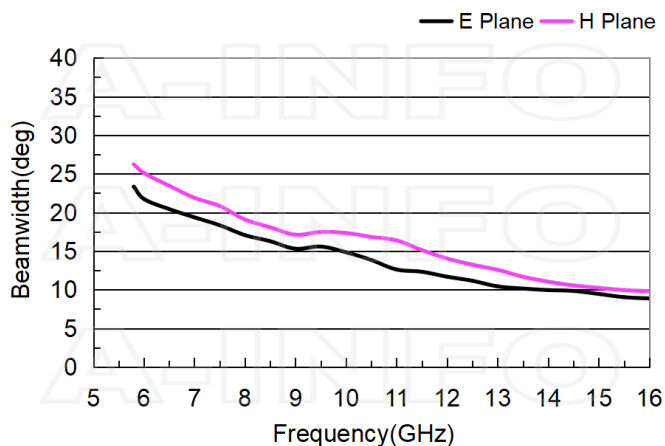
## Cross Polarization Isolation



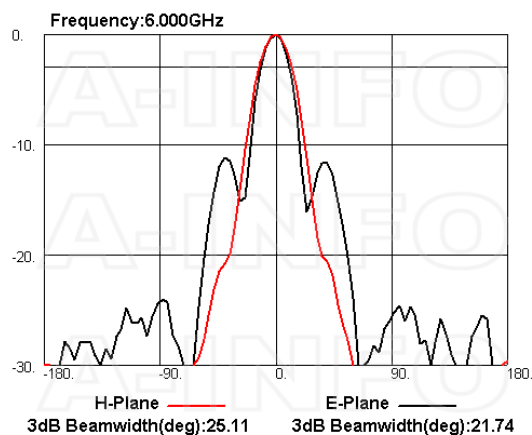
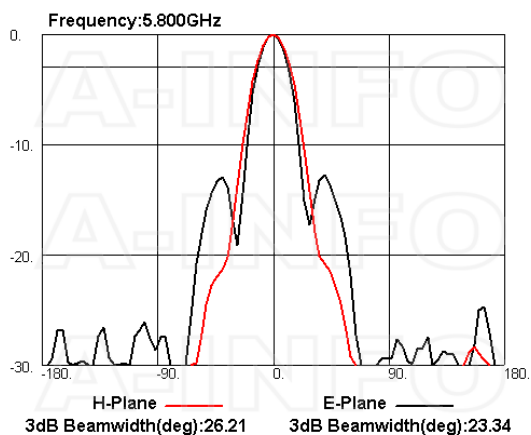
## VSWR

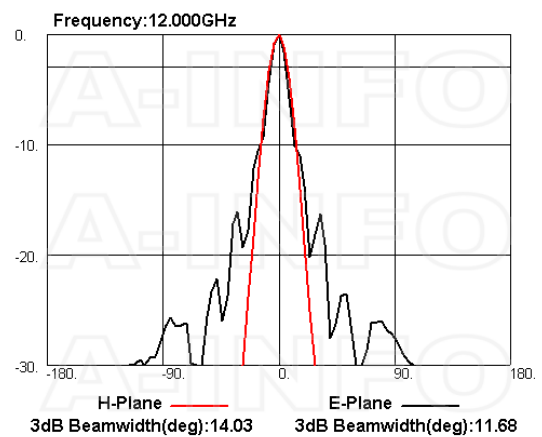
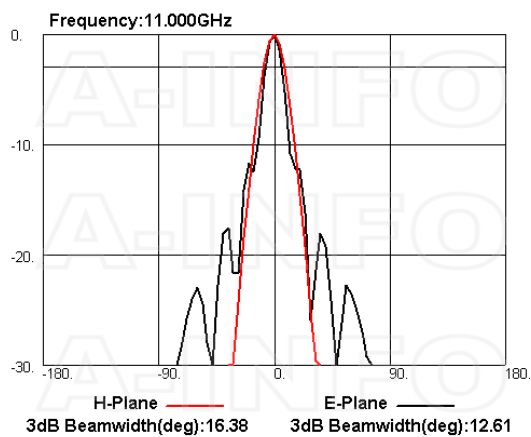
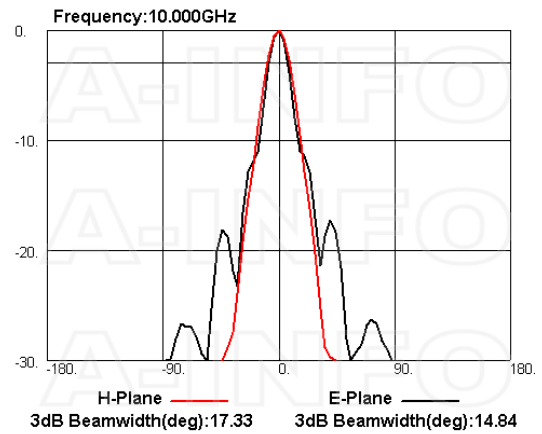
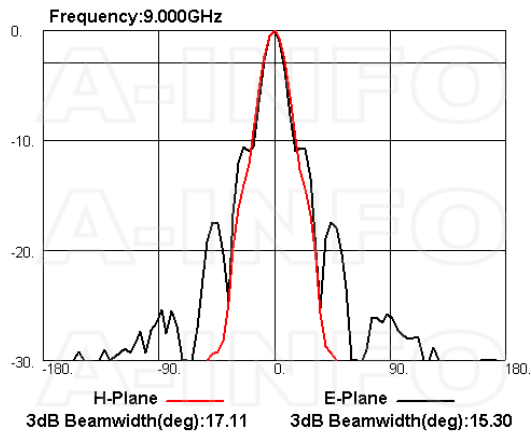
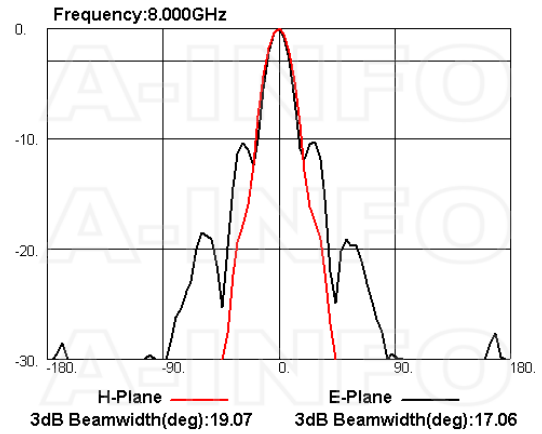
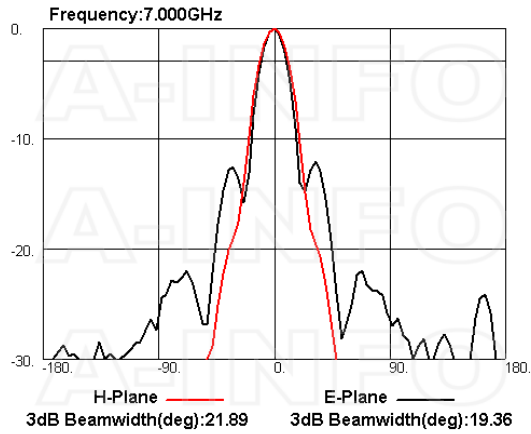


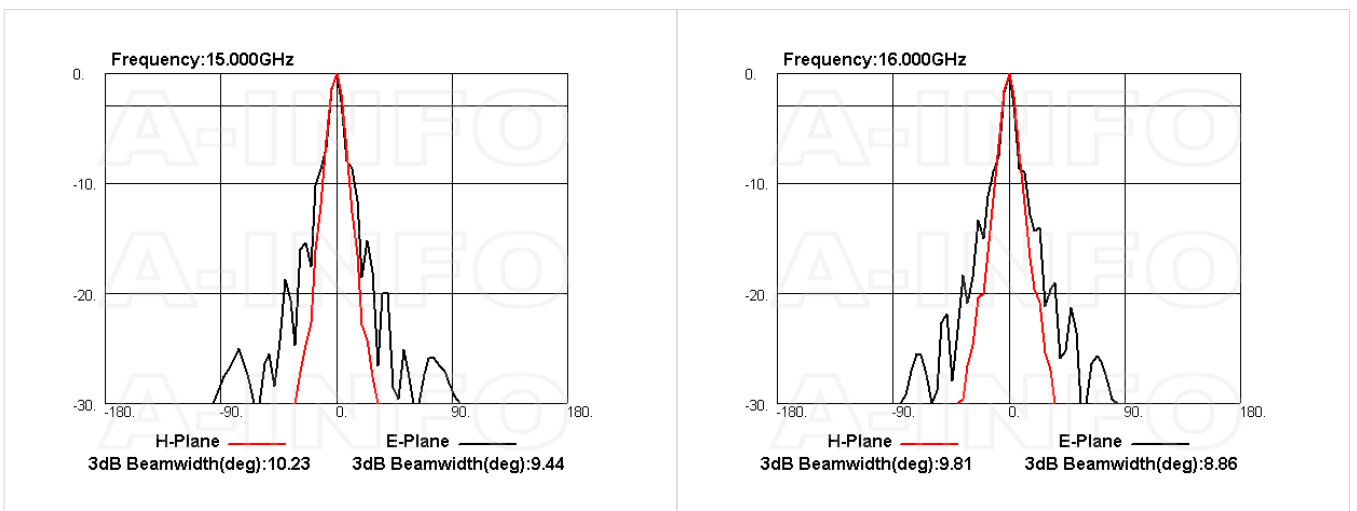
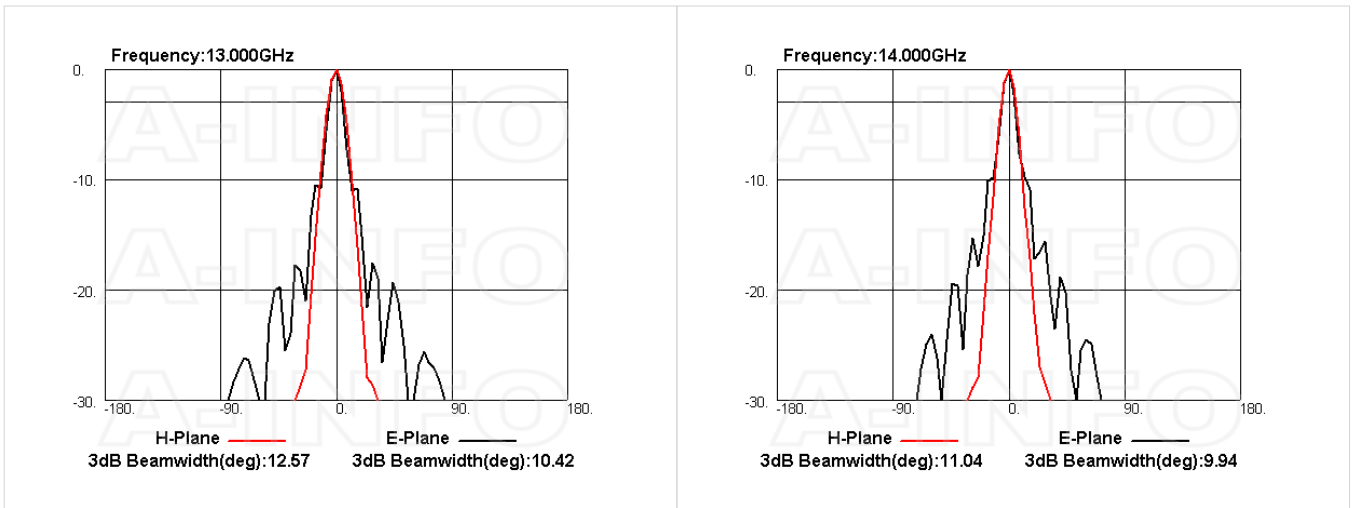
## Beamwidth



## Pattern







## Related Products



LB-51-25-MB2 Round Type Mounting Bracket



LB-51-25-L2 L type mounting bracket



Tripod\_15Kg Al Alloy Tripod



3033HL Wooden Tripod



3033QM Wooden Tripod  
Metalfree



NM-NM-A050-1000 Flexible  
Cable Assembly 1000mm DC-  
18GHz N Male to N Male



NM-NM-A050-1500 Flexible  
Cable Assembly 1500mm DC-  
18GHz N Male to N Male



NM-NM-A050-2000 Flexible  
Cable Assembly 2000mm DC-  
18GHz N Male to N Male



NM-NM-A050-3000 Flexible  
Cable Assembly 3000mm DC-  
18GHz N Male to N Male



NM-NM-A050-5000 Flexible  
Cable Assembly 5000mm DC-  
18GHz N Male to N Male



NM-NM-A050-10000 Flexible  
Cable Assembly 10000mm DC-  
18GHz N Male to N Male



NM-NM-A050-20000 Flexible  
Cable Assembly 20000mm DC-  
18GHz N Male to N Male



NM-NM-A100-500 Flexible Cable  
Assembly 500mm DC- 18GHz N  
Male to N Male



NM-NM-A100-1000 Flexible  
Cable Assembly 1000mm DC-  
18GHz N Male to N Male



NM-NM-A100-1500 Flexible  
Cable Assembly 1500mm DC-  
18GHz N Male to N Male



NM-NM-A100-2000 Flexible  
Cable Assembly 2000mm DC-  
18GHz N Male to N Male



NM-NM-A100-3000 Flexible  
Cable Assembly 3000mm DC-  
18GHz N Male to N Male



NM-NM-A100-5000 Flexible  
Cable Assembly 5000mm DC-  
18GHz N Male to N Male



NM-NM-A100-10000 Flexible  
Cable Assembly 10000mm DC-  
18GHz N Male to N Male



NM-NM-A100-20000 Flexible  
Cable Assembly 20000mm DC-  
18GHz N Male to N Male

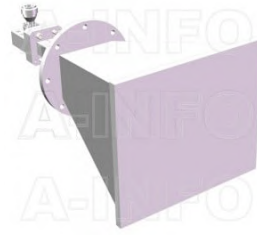
### Similar Products



LB-58160-20-A Multi Octave Horn Antenna 5.8-16GHz 20dB Gain Double Ridge Waveguide Interface



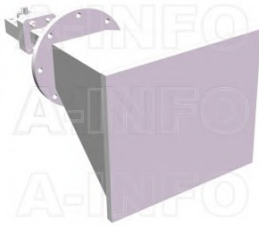
LB-58160-20-ASPO Multi Octave Horn Antenna 5.8-16GHz 20dB Gain Double Ridge Waveguide Interface



LB-58160-20-C-NFSPO Multi Octave Horn Antenna 5.8-16GHz 20dB Gain N Type Female



LB-58160-20-C-SF Multi Octave Horn Antenna 5.8-16GHz 20dB Gain SMA Female



LB-58160-20-C-SFSPO Multi Octave Horn Antenna 5.8-16GHz 20dB Gain SMA Female

### About this Datasheet

<ul style="list-style-type: none"> <li>● <b>Product Information</b> Product Link: <a href="https://www.ainfoinc.com/lb-58160-20-c-nf-multi-octave-horn-antenna-5-8-16-ghz-20db-gain-n-type-female">https://www.ainfoinc.com/lb-58160-20-c-nf-multi-octave-horn-antenna-5-8-16-ghz-20db-gain-n-type-female</a> Data subject to change without notice. © A-INFO INC. 2024. All Rights Reserved</li> </ul>	<ul style="list-style-type: none"> <li>● <b>Contact Us</b> Address: 60 Tesla, Irvine, CA 92618, USA Website: <a href="http://www.ainfoinc.com">www.ainfoinc.com</a> Email: <a href="mailto:sales@ainfoinc.com">sales@ainfoinc.com</a></li> </ul>	<ul style="list-style-type: none"> <li>● <b>Phone &amp; Fax</b> Phone: +1-949-639-9688 +1-949-639-9608 Fax: +1-949-639-9670</li> </ul>
---	--	--