

LB-2678-20-C-NF Multi Octave Horn Antenna 2.6-7.8GHz 20dB Gain N Type Female



Multi Octave Horn Antenna Operating From 2.6GHz to 7.8GHz With a Nominal 20dB Gain With N Type Female Connector

### Product Information

SKU	LB-2678-20-C-NF
-----	-----------------

### Description

Multi octave horn antenna LB-2678-20-C-NF, operating from 2.6 to 7.8GHz with a nominal 20dB gain and low VSWR 1.5:1 with N Type Female output connector. The model LB-2678-20-C-NF has uniform gain through its frequency span, providing efficient performance characteristics and directionality. It can handle 500W continuously and 3000W peak power. Constructed of lightweight corrosion-resistant aluminum, the antenna will provide years of trouble-free indoor and outdoor service. This multi octave horn antenna is linearly polarized and ideally suited for EMI testing, direction finding, surveillance, antenna gain and pattern measurements and other applications.

## Technical Specification

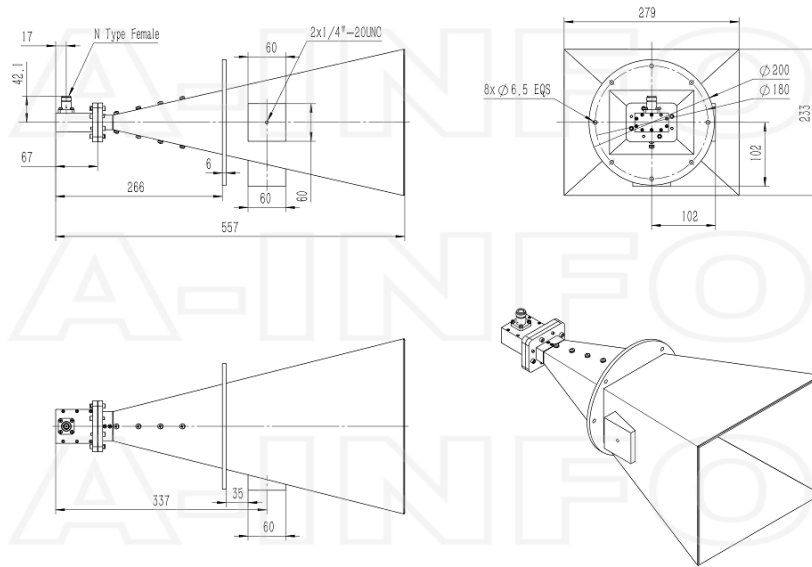
Electrical Specification		Interface	
Frequency, Min (GHz)	2.6	Output Type	Coaxial
Frequency, Max (GHz)	7.8	Connector	N Type
Waveguide Type	Double Ridge	Connector Gender	Female
Waveguide Size EIA WRD	WRD250	Mechanical Specification	
Gain, Typ (dBi)	20	Figure	C Type
Polarization	Linear	Body Material	Al
3dB Beamwidth, E-Plane, Min (Deg.)	8	Finish	Chemical Conversion Coating, Gray Paint
3dB Beamwidth, E-Plane, Max (Deg.)	24	Size, W (mm)	279
3dB Beamwidth, H-Plane, Min (Deg.)	10	Size, H (mm)	233
3dB Beamwidth, H-Plane, Max (Deg.)	27	Size, L (mm)	557
Cross Pol. Isolation, Typ (dB)	35	Weight, (kg)	3.12
VSWR, Typ	1.50:1		
Impedance, (Ohm)	50		
Power Handling, CW, (W)	500		
Power Handling, Peak, (W)	3000		

## Additional Information

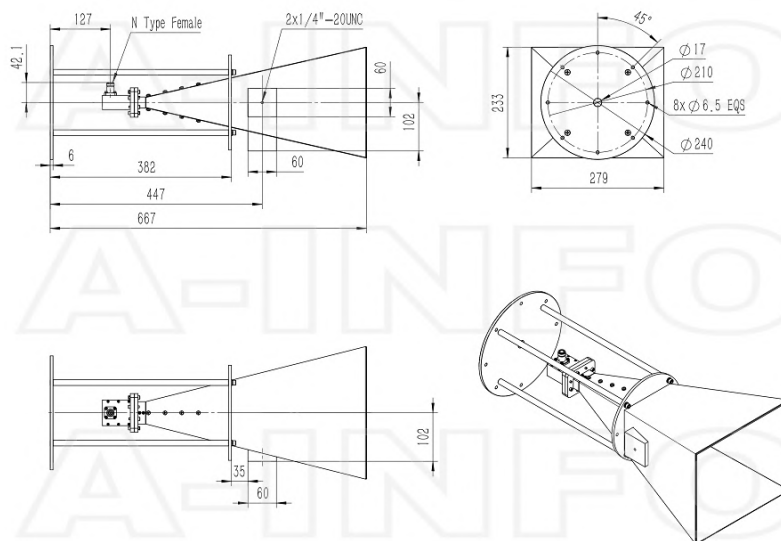
Application	General Purpose Indoor & Outdoor, Fixed	Solution for	Gain Reference Antenna Measurement Far-field Measurement System Intergration
-------------	-----------------------------------------	--------------	---------------------------------------------------------------------------------------

## Outline Drawing

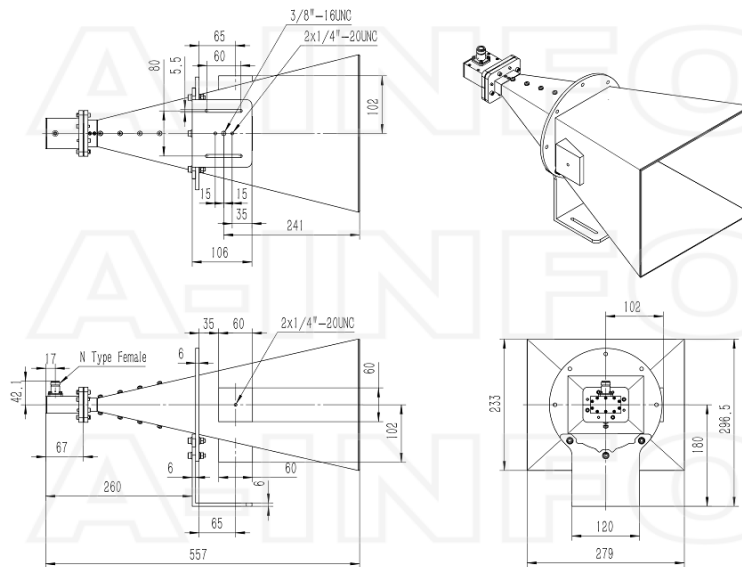
N-Female Output (P/N: LB-2678-20-C-NF)



N-Female Output with Round Mounting Bracket (Option, P/N: LB-90-25-MB2)

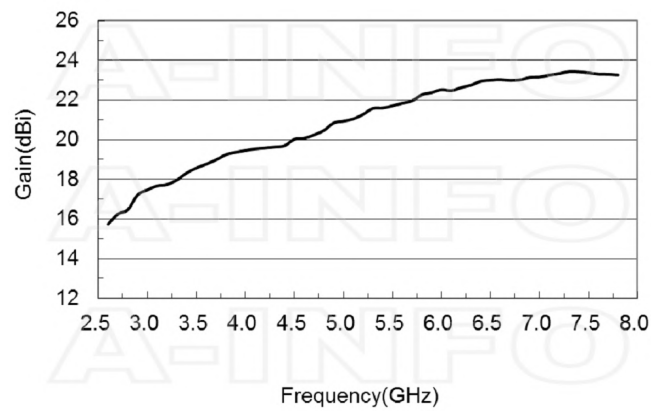


N-Female Output with L Type Mounting Bracket (Option, P/N: LB-90-25-L2)

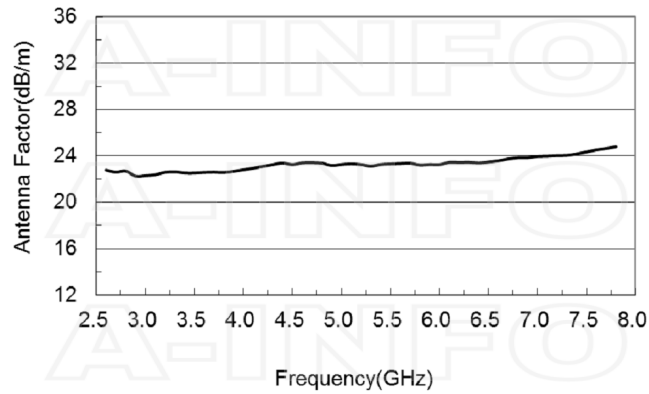


## Typical Test Results

### Gain



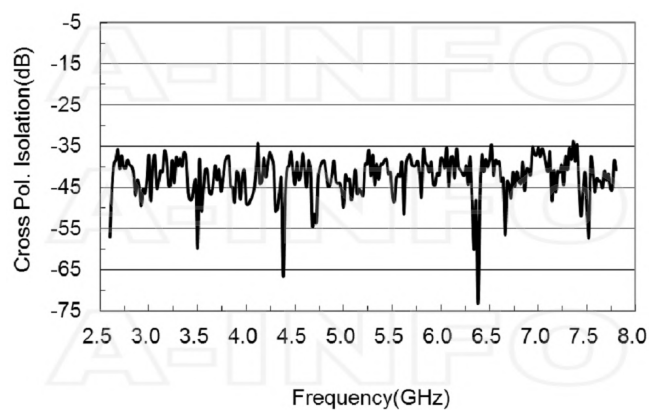
## Antenna Factor



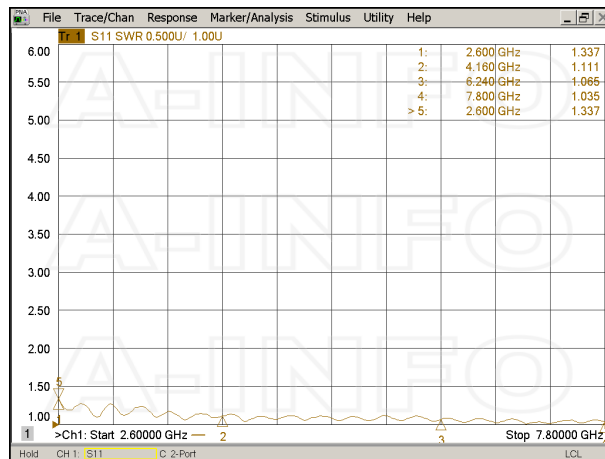
## Antenna Factor (Table)

Frequency(GHz)	Gain(dBi)	AF(dB/m)
2.6	15.74	22.77
3.0	17.46	22.29
3.5	18.57	22.52
4.0	19.45	22.80
4.5	20.02	23.25
5.0	20.93	23.26
5.5	21.71	23.31
6.0	22.52	23.25
6.5	23.00	23.47
7.0	23.16	23.95
7.5	23.37	24.34
7.8	23.26	24.79

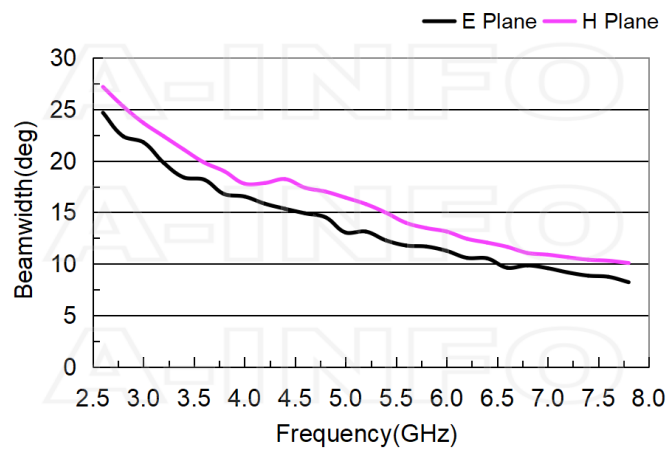
## Cross Polarization Isolation



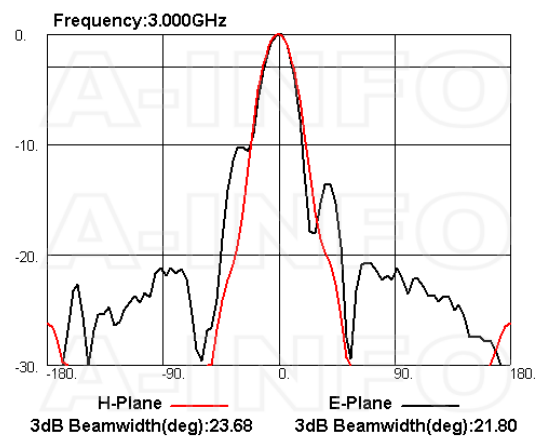
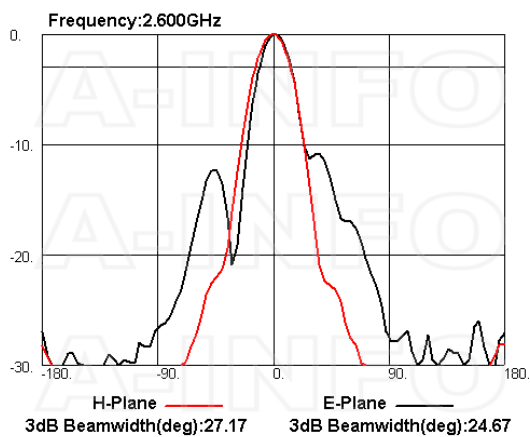
## VSWR

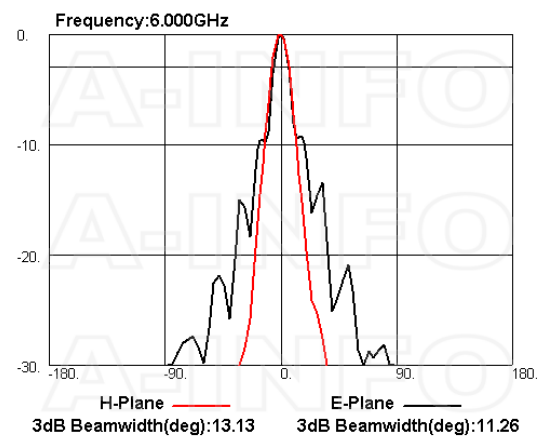
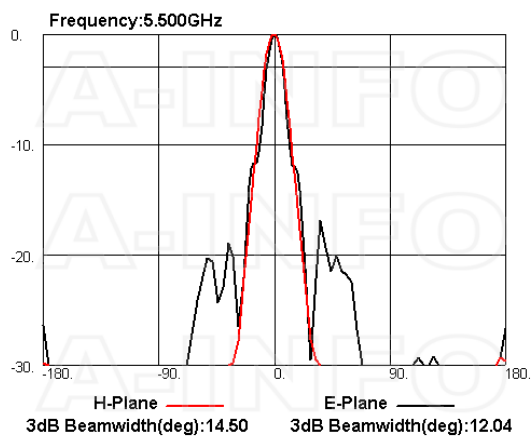
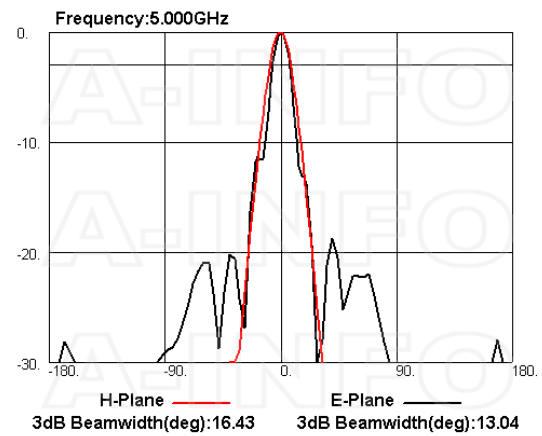
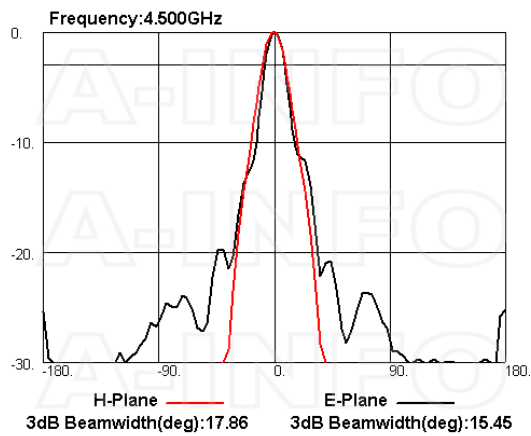
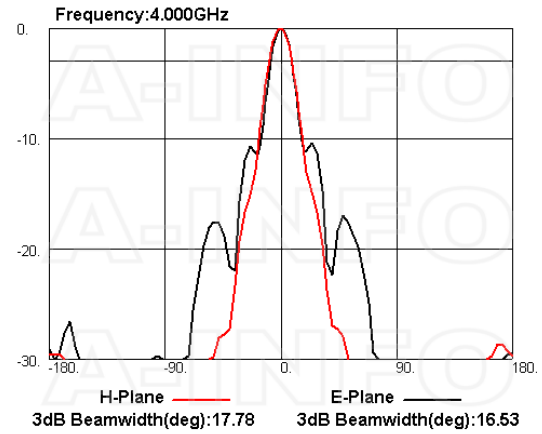
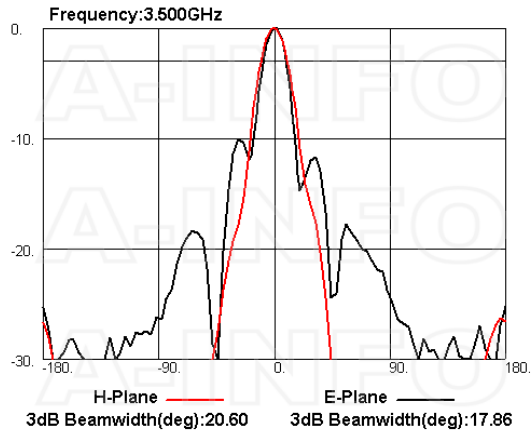


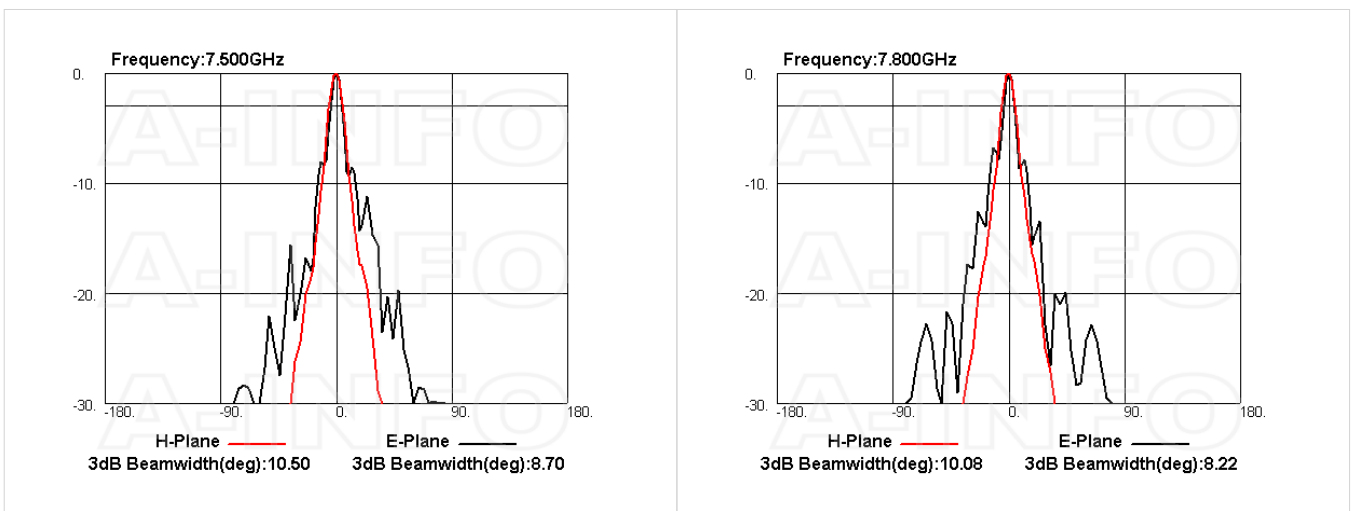
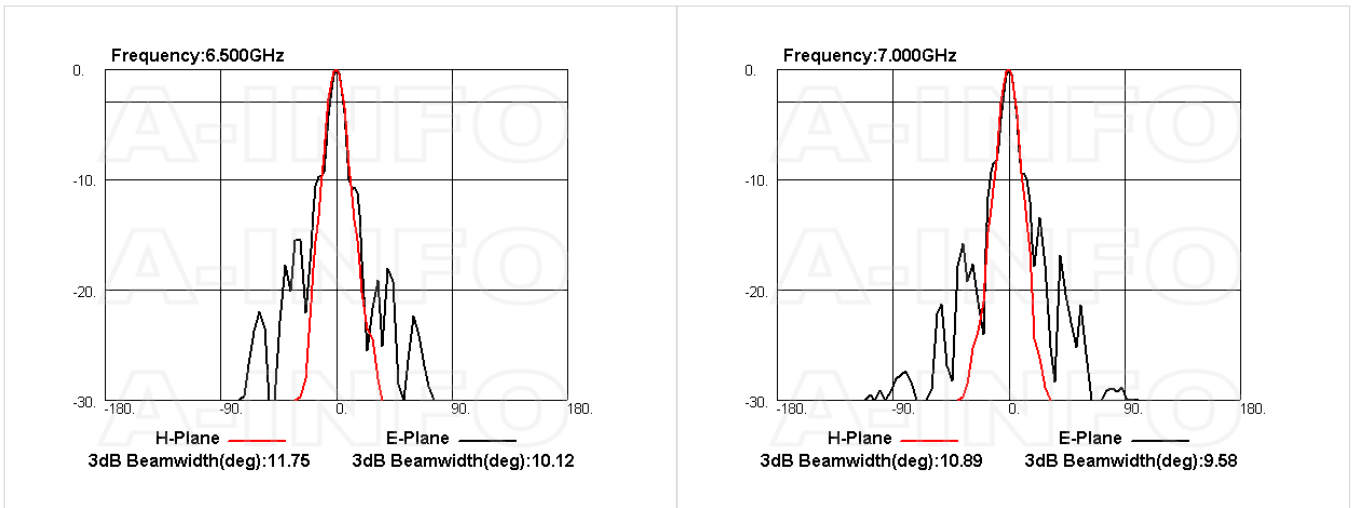
## Beamwidth



## Pattern







## Related Products



LB-90-25-MB2 Round Type Mounting Bracket



LB-90-25-L2 L Type Mounting Bracket



NM-NM-A050-1000 Flexible Cable Assembly 1000mm DC-18GHz N Male to N Male



NM-NM-A050-1500 Flexible Cable Assembly 1500mm DC-18GHz N Male to N Male



NM-NM-A050-2000 Flexible Cable Assembly 2000mm DC-18GHz N Male to N Male



NM-NM-A050-3000 Flexible Cable Assembly 3000mm DC-18GHz N Male to N Male



NM-NM-A050-5000 Flexible Cable Assembly 5000mm DC-18GHz N Male to N Male



NM-NM-A050-10000 Flexible Cable Assembly 10000mm DC-18GHz N Male to N Male



NM-NM-A050-20000 Flexible Cable Assembly 20000mm DC-18GHz N Male to N Male



NM-NM-A100-500 Flexible Cable Assembly 500mm DC-18GHz N Male to N Male



NM-NM-A100-1000 Flexible Cable Assembly 1000mm DC-18GHz N Male to N Male



NM-NM-A100-1500 Flexible Cable Assembly 1500mm DC-18GHz N Male to N Male



NM-NM-A100-2000 Flexible Cable Assembly 2000mm DC-18GHz N Male to N Male



NM-NM-A100-3000 Flexible Cable Assembly 3000mm DC-18GHz N Male to N Male



NM-NM-A100-5000 Flexible Cable Assembly 5000mm DC-18GHz N Male to N Male



NM-NM-A100-10000 Flexible Cable Assembly 10000mm DC-18GHz N Male to N Male



NM-NM-A100-20000 Flexible Cable Assembly 20000mm DC-18GHz N Male to N Male

## Similar Products



LB-2678-20-A Multi Octave Horn Antenna 2.6-7.8GHz 20dB Gain Double Ridge Waveguide Interface



LB-2678-20-ASPO Multi Octave Horn Antenna 2.6-7.8GHz 20dB Gain Double Ridge Waveguide Interface



LB-2678-20-C-NFSPO Multi Octave Horn Antenna 2.6-7.8GHz 20dB Gain N Type Female



LB-2678-20-C-SF Multi Octave Horn Antenna 2.6-7.8GHz 20dB Gain SMA Female



LB-2678-20-C-SFSPO Multi Octave Horn Antenna 2.6-7.8GHz 20dB Gain SMA Female

## About this Datasheet

<ul style="list-style-type: none"> <li>● <b>Product Information</b> Product Link: <a href="https://www.ainfoinc.com/lb-2678-20-c-nf-multi-octave-horn-antenna-2-6-7-8-ghz-20db-gain-n-type-female">https://www.ainfoinc.com/lb-2678-20-c-nf-multi-octave-horn-antenna-2-6-7-8-ghz-20db-gain-n-type-female</a> Data subject to change without notice. © A-INFO INC. 2024. All Rights Reserved</li> </ul>	<ul style="list-style-type: none"> <li>● <b>Contact Us</b> Address: 60 Tesla, Irvine, CA 92618, USA Website: <a href="http://www.ainfoinc.com">www.ainfoinc.com</a> Email: <a href="mailto:sales@ainfoinc.com">sales@ainfoinc.com</a></li> </ul>	<ul style="list-style-type: none"> <li>● <b>Phone &amp; Fax</b> Phone: +1-949-639-9688 +1-949-639-9608 Fax: +1-949-639-9670</li> </ul>
-------------------------------------------------------------------------------------------------------------------------------------------------------------------------------------------------------------------------------------------------------------------------------------------------------------------------------------------------------------------------------------------------------------------------	--------------------------------------------------------------------------------------------------------------------------------------------------------------------------------------------------------------------------------------------------------------------------	------------------------------------------------------------------------------------------------------------------------------------------------------------