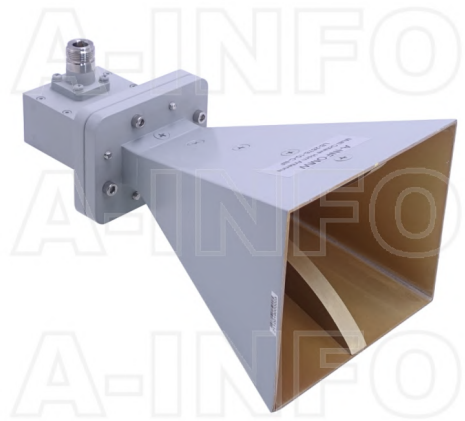


LB-2678-10-C-NF Multi Octave Horn Antenna 2.6-7.8GHz 10dB Gain N Type Female



Multi Octave Horn Antenna Operating From 2.6GHz to 7.8GHz With a Nominal 10dB Gain With N Type Female Connector

### Product Information

SKU	LB-2678-10-C-NF
-----	-----------------

### Description

Multi octave horn antenna LB-2678-10-C-NF, operating from 2.6 to 7.8GHz with a nominal 10dB gain and low VSWR 1.5:1 with N Type Female output connector. The model LB-2678-10-C-NF has uniform gain through its frequency span, providing efficient performance characteristics and directionality. It can handle 500W continuously and 3000W peak power. Constructed of lightweight corrosion-resistant aluminum, the antenna will provide years of trouble-free indoor and outdoor service. This multi octave horn antenna is linearly polarized and ideally suited for EMI testing, direction finding, surveillance, antenna gain and pattern measurements and other applications.

## Technical Specification

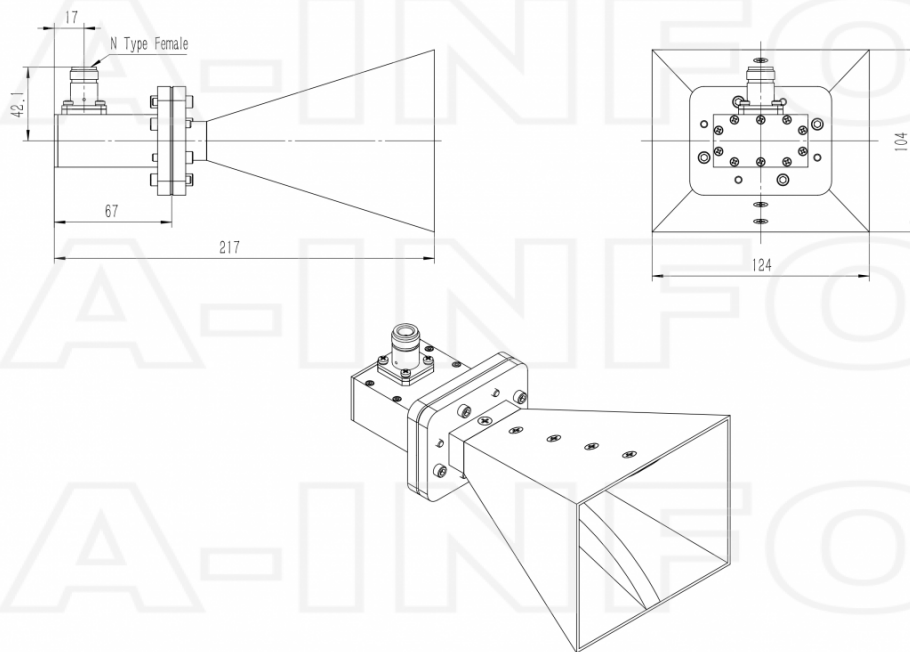
Electrical Specification		Interface	
Frequency, Min (GHz)	2.6	Output Type	Coaxial
Frequency, Max (GHz)	7.8	Connector	N Type
Waveguide Type	Double Ridge	Connector Gender	Female
Waveguide Size EIA WRD	WRD250	Mechanical Specification	
Gain, Typ (dBi)	10	Figure	C Type
Polarization	Linear	Body Material	Al
3dB Beamwidth, E-Plane, Min (Deg.)	22	Finish	Chemical Conversion Coating, Gray Paint
3dB Beamwidth, E-Plane, Max (Deg.)	66	Size, W (mm)	124
3dB Beamwidth, H-Plane, Min (Deg.)	22	Size, H (mm)	104
3dB Beamwidth, H-Plane, Max (Deg.)	65	Size, L (mm)	217
Cross Pol. Isolation, Typ (dB)	40	Weight, (kg)	0.8
VSWR, Typ	1.5:1		
Impedance, (Ohm)	50		
Power Handling, CW, (W)	500		
Power Handling, Peak, (W)	3000		

## Additional Information

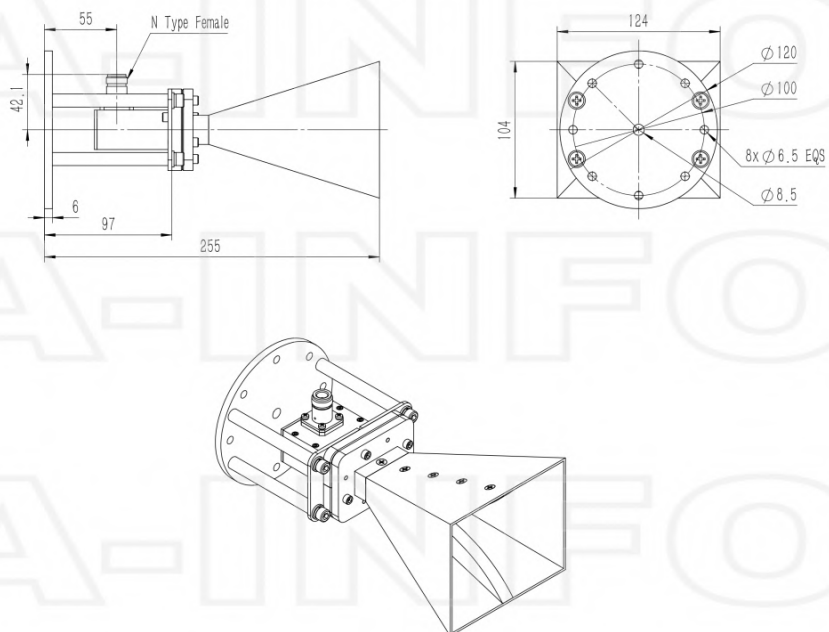
Application	General Purpose Indoor & Outdoor, Fixed	Solution for	Gain Reference Antenna Measurement Far-field Measurement System Intergration
-------------	-----------------------------------------	--------------	---------------------------------------------------------------------------------------

## Outline Drawing

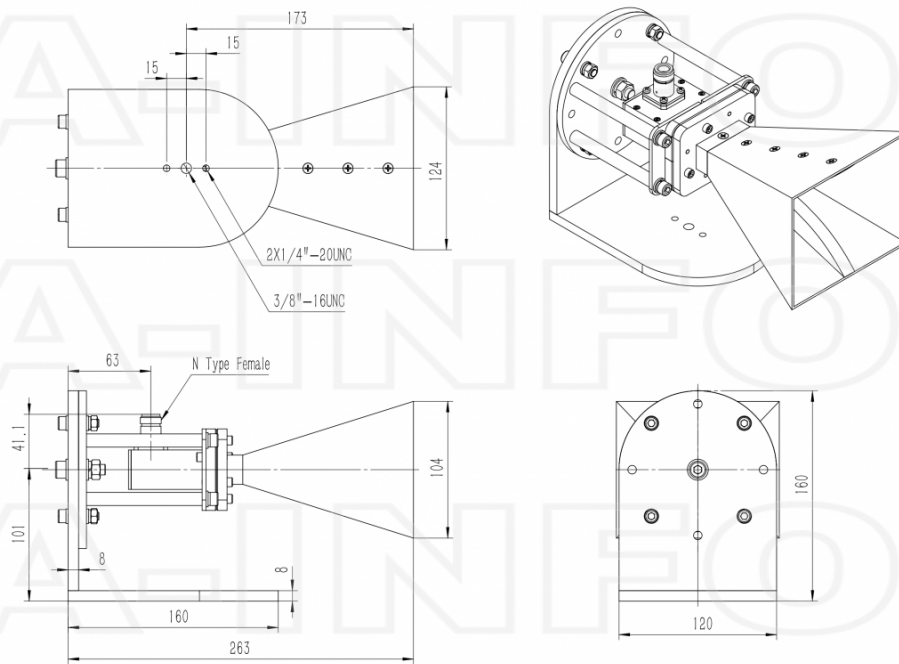
N-Female Output (P/N: LB-2678-10-C-NF)



N-Female Output with Round Mounting Bracket (Option, P/N: LB-2678-10-C-MB)

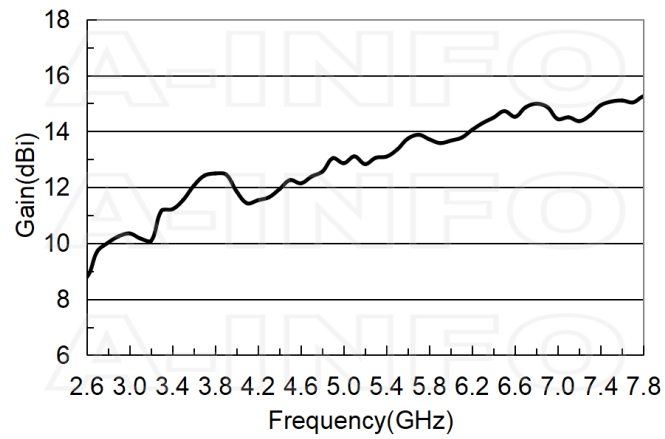


N-Female Output with L Type Mounting Bracket (Option, P/N: LB-2678-10-C-MBL)

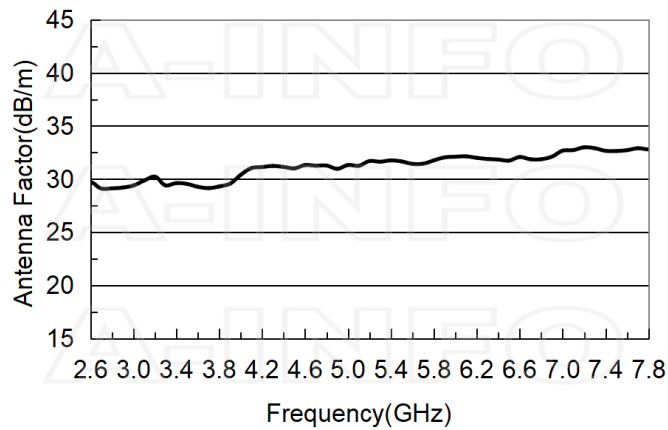


## Typical Test Results

Gain



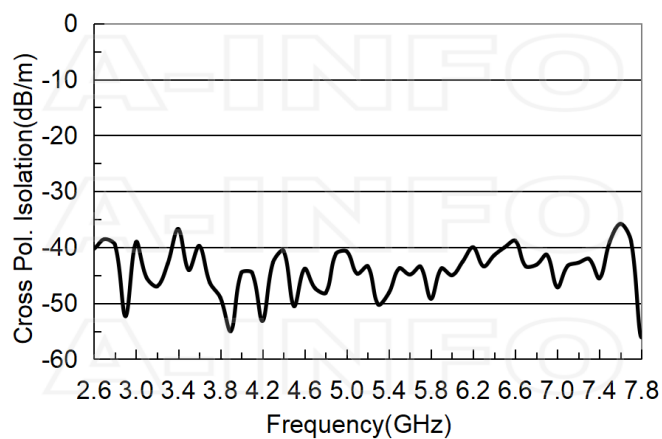
## Antenna Factor



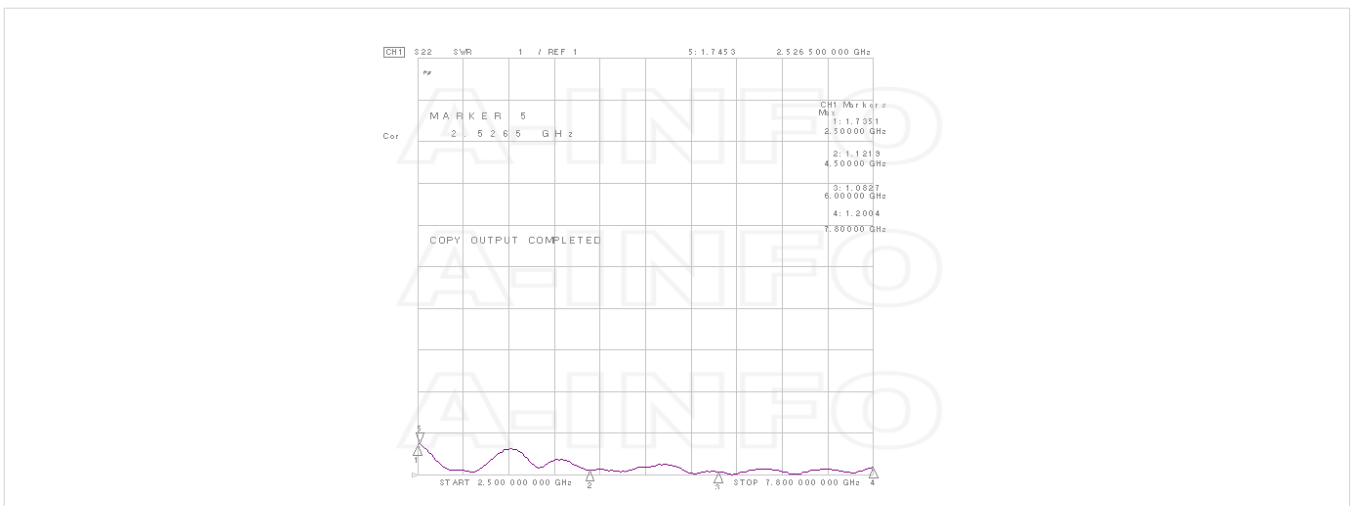
## Antenna Factor (Table)

Frequency(GHz)	Gain(dBi)	AF(dB/m)
2.6	8.79	29.72
3.0	10.35	29.40
3.5	11.54	29.55
4.0	11.85	30.40
4.5	12.26	31.02
5.0	12.86	31.33
5.5	13.35	31.66
6.0	13.67	32.11
6.5	14.72	31.75
7.0	14.44	32.68
7.5	15.07	32.65
7.8	15.25	32.80

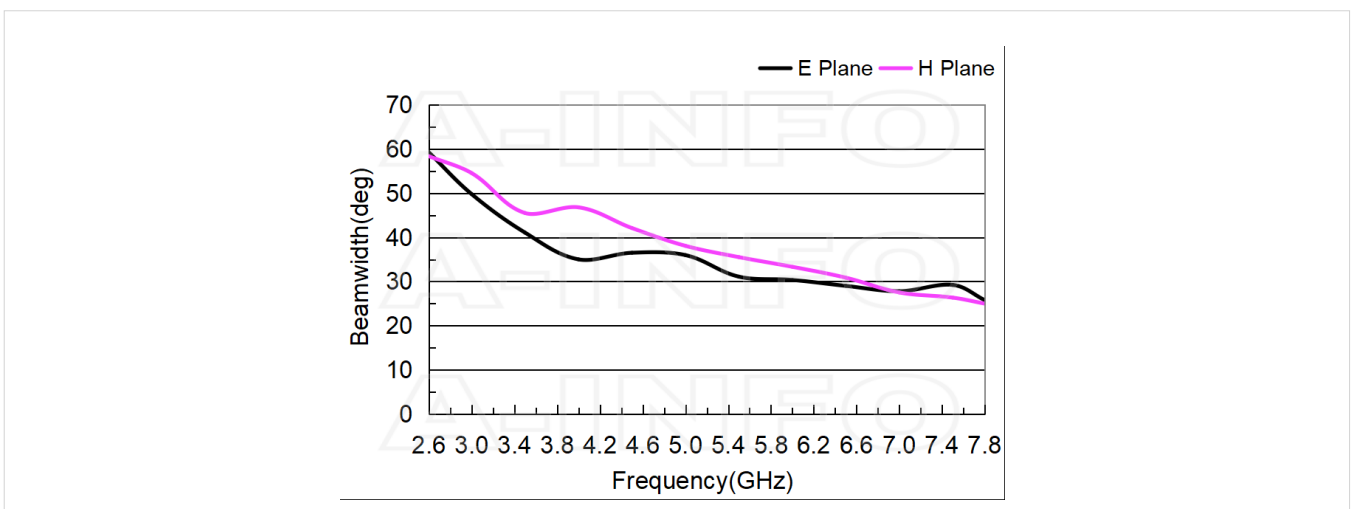
## Cross Polarization Isolation



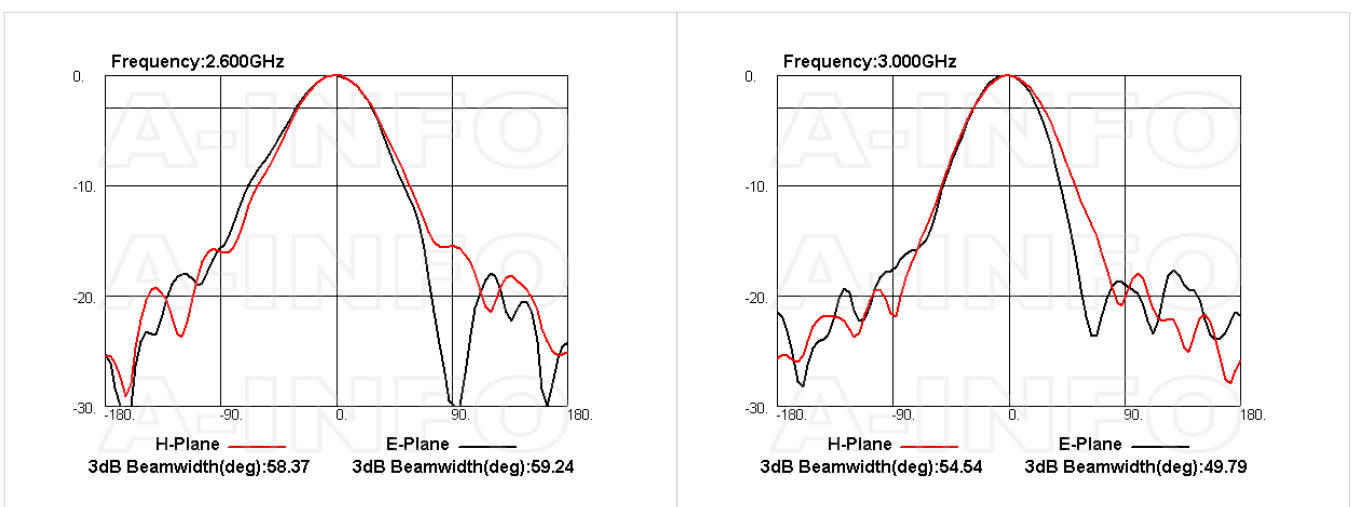
## VSWR

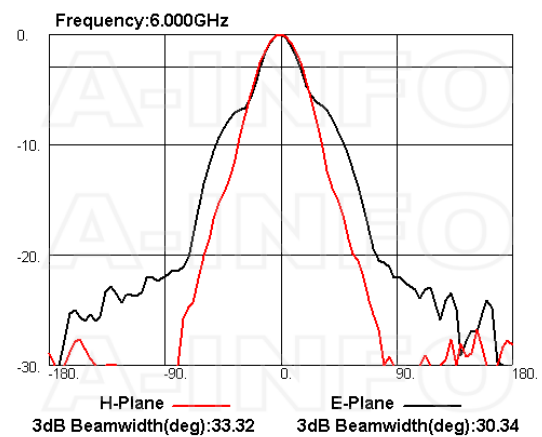
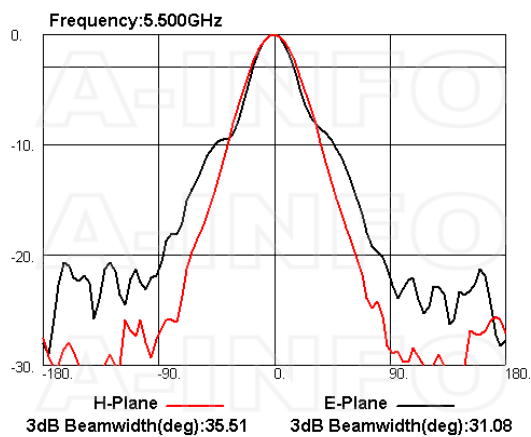
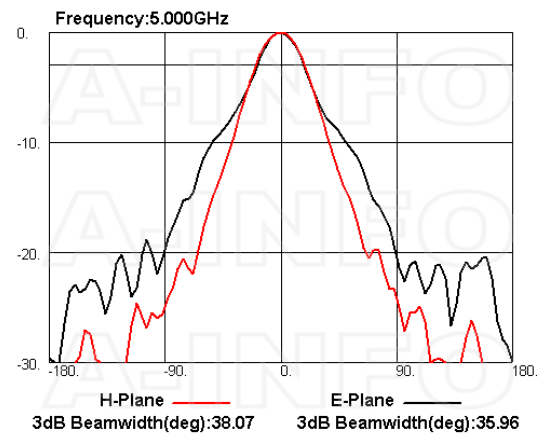
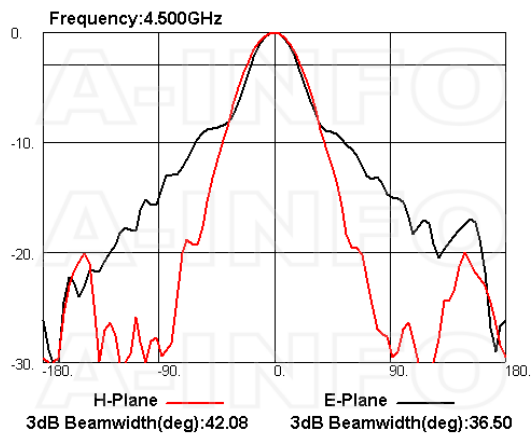
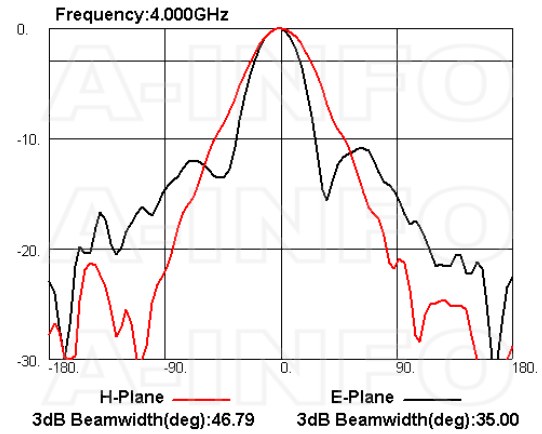
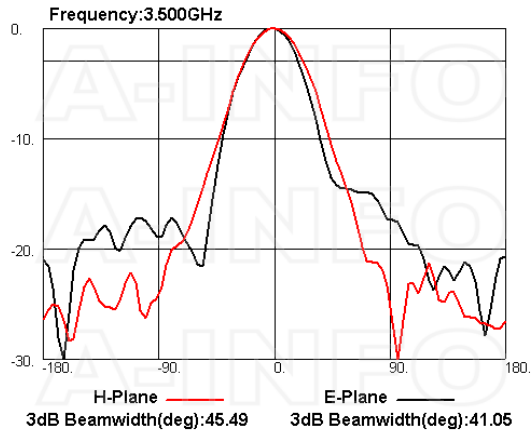


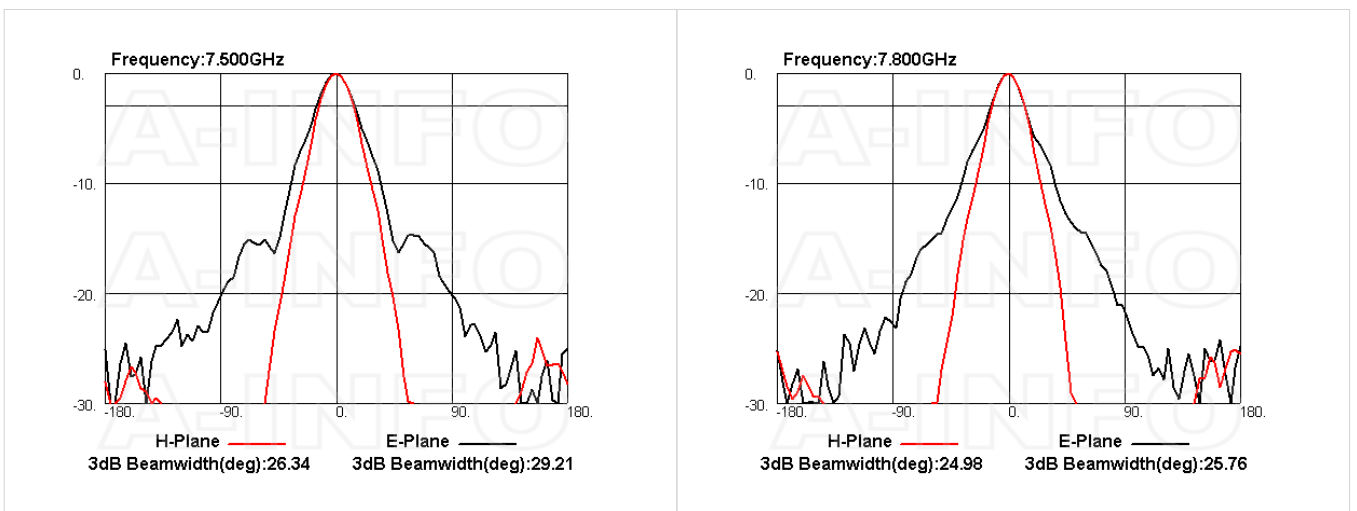
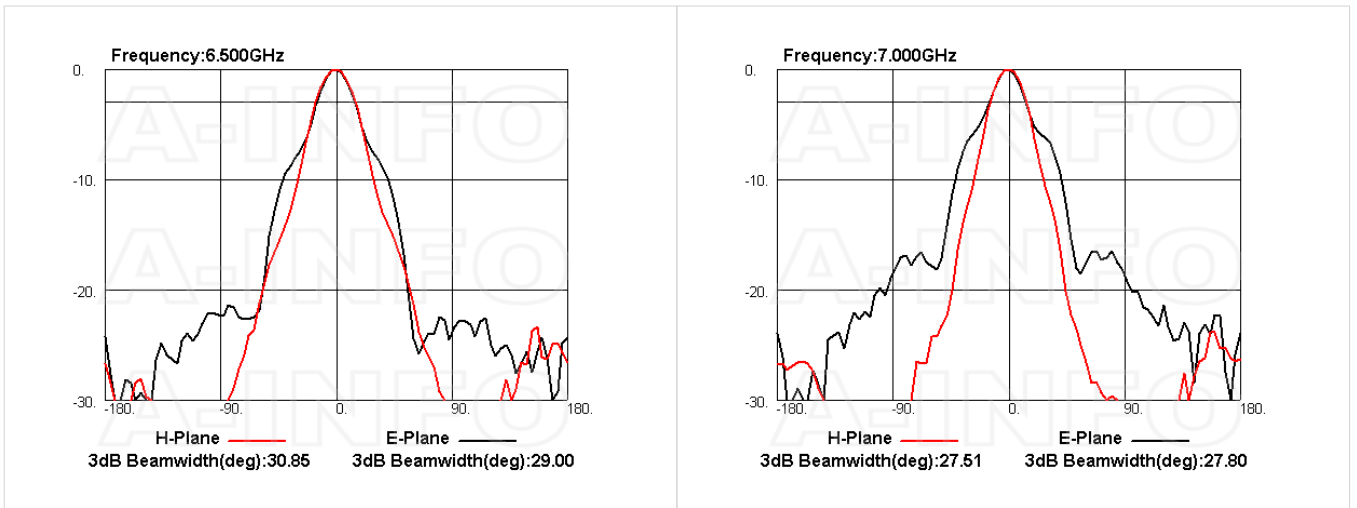
## Beamwidth



## Pattern







## Related Products



LB-2678-10-C-MB Round Type Mounting Bracket



LB-2678-10-C-MBL L type mounting bracket



Tripod\_15Kg Al Alloy Tripod



3033HL Wooden Tripod



3033QM Wooden Tripod  
Metalfree



NM-NM-A050-1000 Flexible  
Cable Assembly 1000mm DC-  
18GHz N Male to N Male



NM-NM-A050-1500 Flexible  
Cable Assembly 1500mm DC-  
18GHz N Male to N Male



NM-NM-A050-2000 Flexible  
Cable Assembly 2000mm DC-  
18GHz N Male to N Male



NM-NM-A050-3000 Flexible  
Cable Assembly 3000mm DC-  
18GHz N Male to N Male



NM-NM-A050-5000 Flexible  
Cable Assembly 5000mm DC-  
18GHz N Male to N Male



NM-NM-A050-10000 Flexible  
Cable Assembly 10000mm DC-  
18GHz N Male to N Male



NM-NM-A050-20000 Flexible  
Cable Assembly 20000mm DC-  
18GHz N Male to N Male



NM-NM-A100-500 Flexible Cable  
Assembly 500mm DC- 18GHz N  
Male to N Male



NM-NM-A100-1000 Flexible  
Cable Assembly 1000mm DC-  
18GHz N Male to N Male



NM-NM-A100-1500 Flexible  
Cable Assembly 1500mm DC-  
18GHz N Male to N Male



NM-NM-A100-2000 Flexible  
Cable Assembly 2000mm DC-  
18GHz N Male to N Male



NM-NM-A100-3000 Flexible  
Cable Assembly 3000mm DC-  
18GHz N Male to N Male



NM-NM-A100-5000 Flexible  
Cable Assembly 5000mm DC-  
18GHz N Male to N Male



NM-NM-A100-10000 Flexible  
Cable Assembly 10000mm DC-  
18GHz N Male to N Male

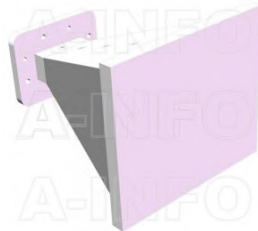


NM-NM-A100-20000 Flexible  
Cable Assembly 20000mm DC-  
18GHz N Male to N Male

## Similar Products



LB-2678-10-A Multi Octave Horn Antenna 2.6-7.8GHz 10dB Gain Double Ridge Waveguide Interface



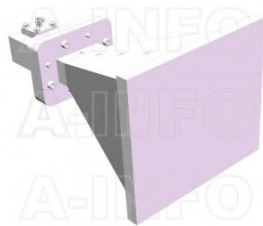
LB-2678-10-ASPO Multi Octave Horn Antenna 2.6-7.8GHz 10dB Gain Double Ridge Waveguide Interface



LB-2678-10-C-NFSPO Multi Octave Horn Antenna 2.6-7.8GHz 10dB Gain N Type Female



LB-2678-10-C-SF Multi Octave Horn Antenna 2.6-7.8GHz 10dB Gain SMA Female



LB-2678-10-C-SFSPO Multi Octave Horn Antenna 2.6-7.8GHz 10dB Gain SMA Female

## About this Datasheet

<ul style="list-style-type: none"> <li>● <b>Product Information</b> Product Link: <a href="https://www.ainfoinc.com/lb-2678-10-c-nf-multi-octave-horn-antenna-2-6-7-8-ghz-10db-gain-n-type-female">https://www.ainfoinc.com/lb-2678-10-c-nf-multi-octave-horn-antenna-2-6-7-8-ghz-10db-gain-n-type-female</a> Data subject to change without notice. © A-INFO INC. 2024. All Rights Reserved</li> </ul>	<ul style="list-style-type: none"> <li>● <b>Contact Us</b> Address: 60 Tesla, Irvine, CA 92618, USA Website: <a href="http://www.ainfoinc.com">www.ainfoinc.com</a> Email: <a href="mailto:sales@ainfoinc.com">sales@ainfoinc.com</a></li> </ul>	<ul style="list-style-type: none"> <li>● <b>Phone &amp; Fax</b> Phone: +1-949-639-9688 +1-949-639-9608 Fax: +1-949-639-9670</li> </ul>
-------------------------------------------------------------------------------------------------------------------------------------------------------------------------------------------------------------------------------------------------------------------------------------------------------------------------------------------------------------------------------------------------------------------------	--------------------------------------------------------------------------------------------------------------------------------------------------------------------------------------------------------------------------------------------------------------------------	------------------------------------------------------------------------------------------------------------------------------------------------------------