

LB-180400-15-C-2.4FSPO Multi Octave Horn Antenna 18-40GHz 15dB Gain 2.4mm Female

Multi Octave Horn Antenna Operating From 18GHz to 40GHz With a Nominal 15dB Gain With 2.4mm Female Connector

Product Information

SKU	LB-180400-15-C-2.4FSPO	Patents	ZL201630454584.X (China)
-----	------------------------	---------	--------------------------

Description

Multi octave horn antenna LB-180400-15-C-2.4FSPO, operating from 18 to 40GHz with a nominal 15dB gain and low VSWR 1.5:1 with 2.4mm Female output connector. The model LB-180400-15-C-2.4FSPO has uniform gain through its frequency span, providing efficient performance characteristics and directionality. It can handle 10W continuously and 20W peak power. Constructed of high thermal and electrical conductivity durable copper, the horn comes with a specially designed weatherproof radome which provides excellent protection against the rain and dust but has very little loss across the full operating frequency band. This multi octave horn antenna is linearly polarized and ideally suited for EMI testing, direction finding, surveillance, antenna gain and pattern measurements and other applications.

Technical Specification

Electrical Specification	
Frequency, Min (GHz)	18
Frequency, Max (GHz)	40
Waveguide Type	Double Ridge
Waveguide Size EIA WRD	WRD180
Gain, Typ (dBi)	15
Polarization	Linear
3dB Beamwidth, E-Plane, Min (Deg.)	21
3dB Beamwidth, E-Plane, Max (Deg.)	42
3dB Beamwidth, H-Plane, Min (Deg.)	17
3dB Beamwidth, H-Plane, Max (Deg.)	45
Cross Pol. Isolation, Typ (dB)	35
VSWR, Typ	1.5:1
Impedance, (Ohm)	50
Power Handling, CW, (W)	10
Power Handling, Peak, (W)	20

Interface	
Output Type	Coaxial
Connector	2.4mm
Connector Gender	Female
Mechanical Specification	
Figure	C Type
Body Material	Cu
Finish	Gold Plated, Gray Paint
Size, W (mm)	38
Size, H (mm)	33
Size, L (mm)	73
Weight, (kg)	0.1

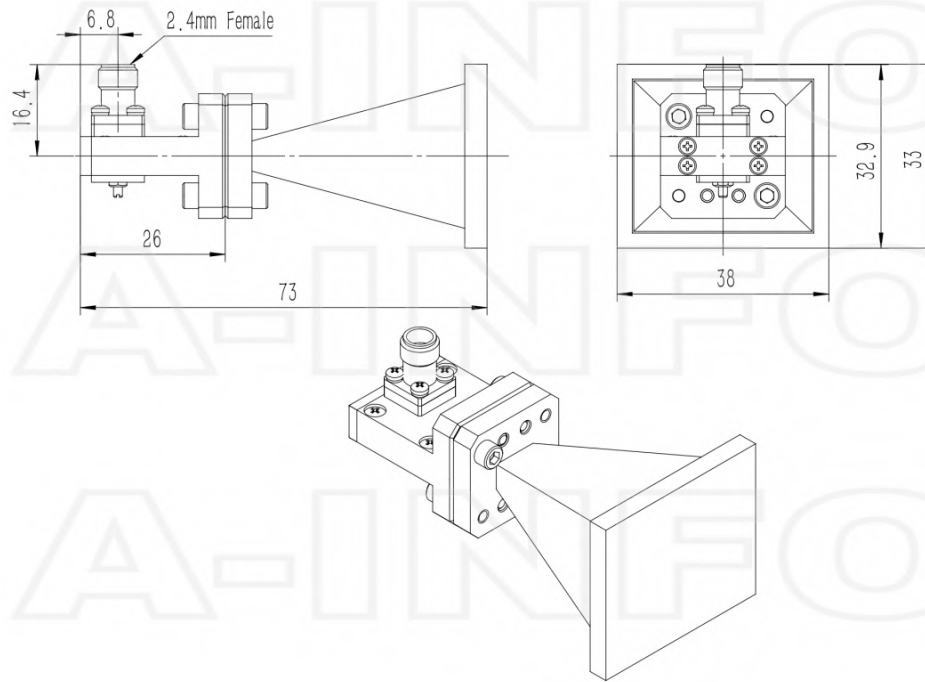
Additional Information

Application	Outdoor, Waterproof and Dustproof, Fixed
-------------	--

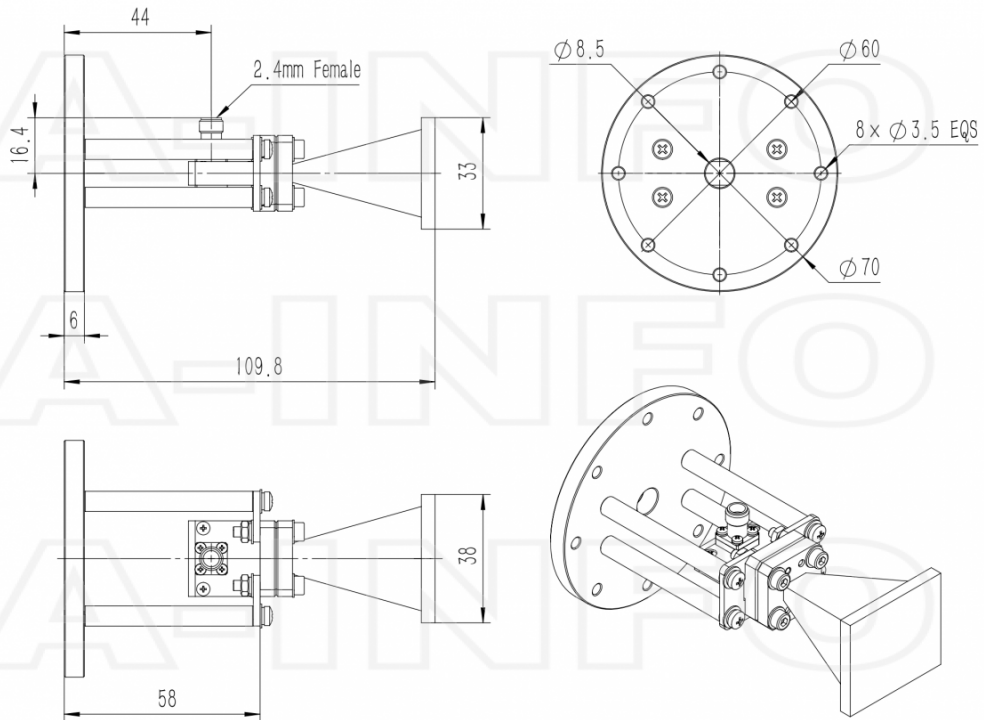
Solution for	Gain Reference Antenna Measurement Far-field Measurement System Intergration
--------------	---

Outline Drawing

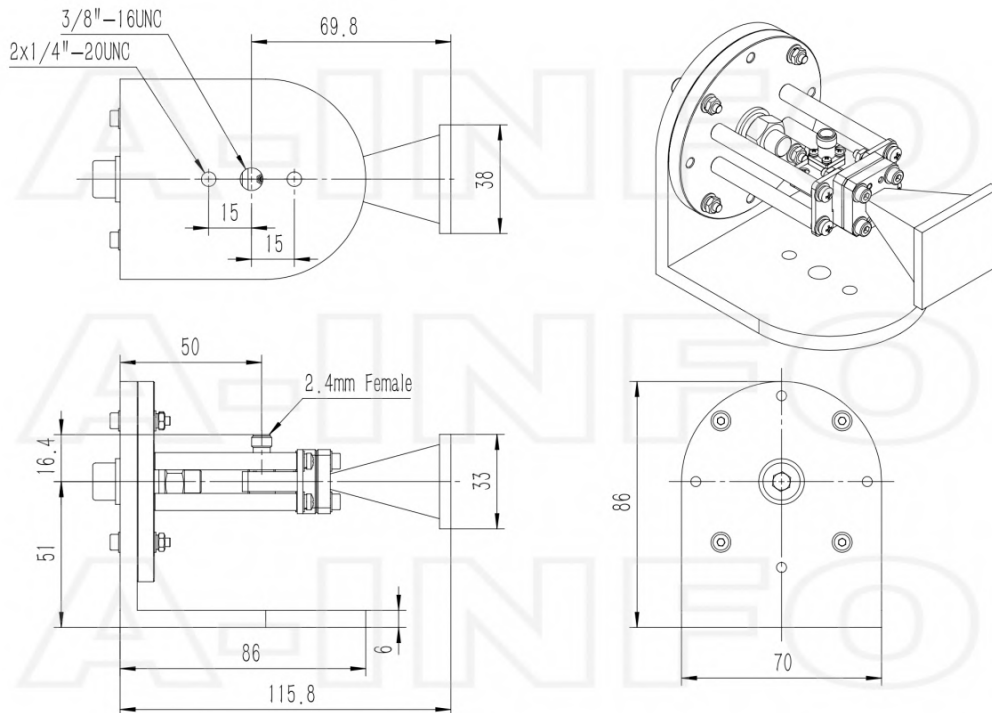
2.4mm-Female Output with Radome (Option, P/N: LB-180400-15-C-2.4FSPO, Outdoor Application)



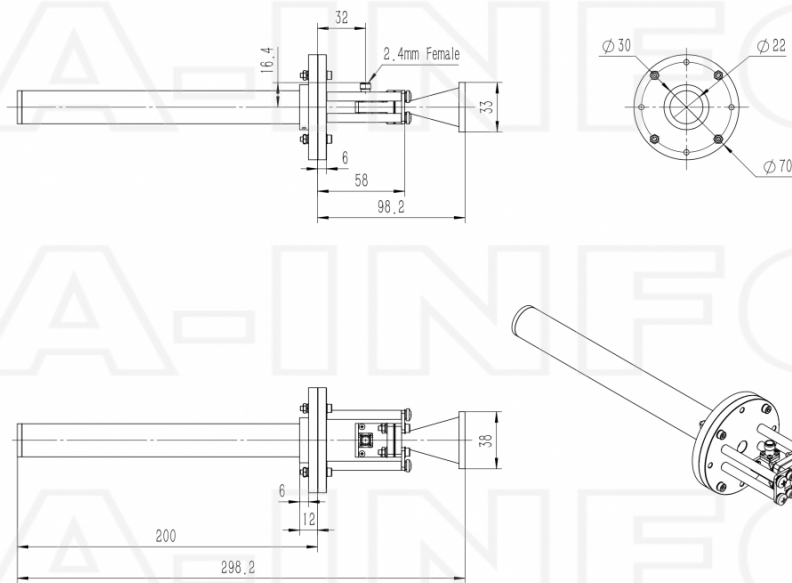
2.4mm-Female Output with Round Mounting Bracket & Radome (Option, P/N: LB-180400-10- C-MB & LB-180400-15-C-2.4FSPO, Outdoor Application)



2.4mm-Female Output with L Type Mounting Bracket & Radome (Option, P/N: LB-180400-10- C-MBL & LB-180400-15-C-2.4FSPO, Outdoor Application)

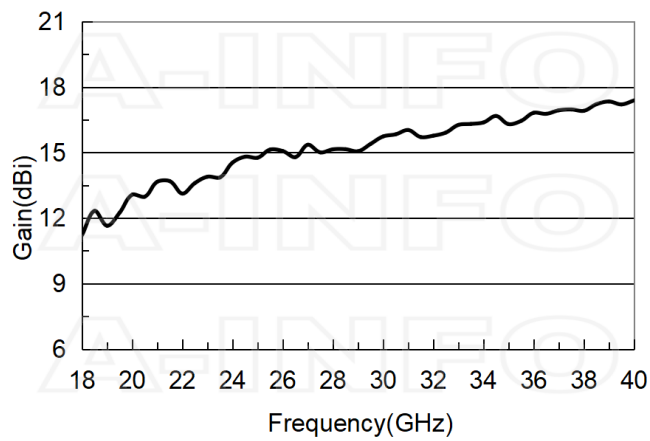


2.4mm-Female Output with Stinger Type Mounting Bracket & Radome (Option, P/N: LB-180400-10- C-MA & LB-180400-15-C-2.4FSPO, Outdoor Application)

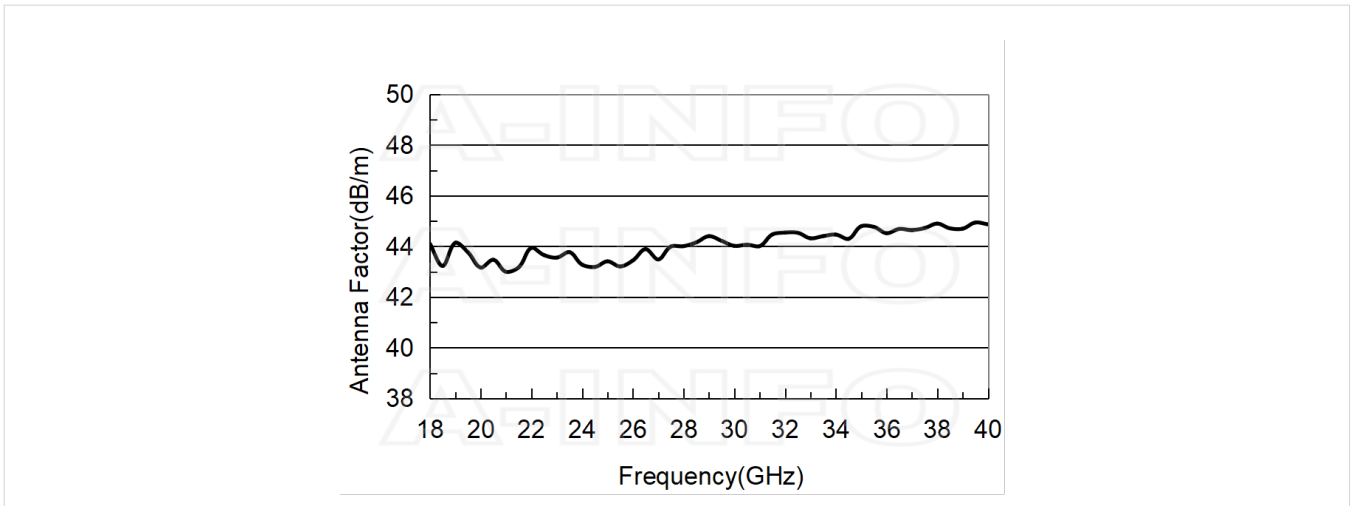


Typical Test Results

Gain



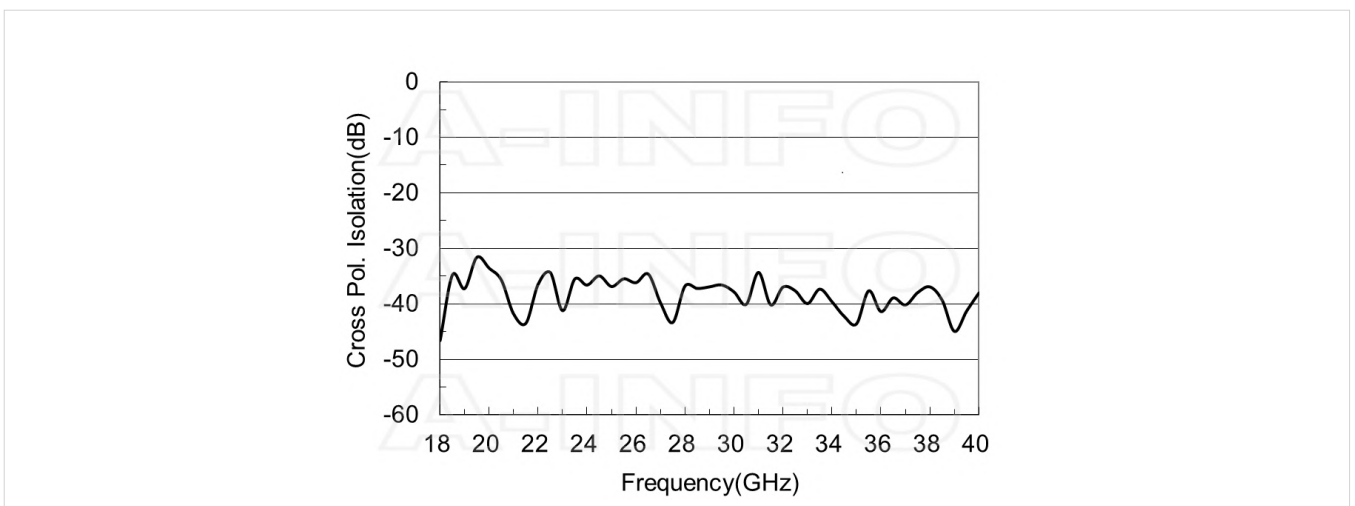
Antenna Factor



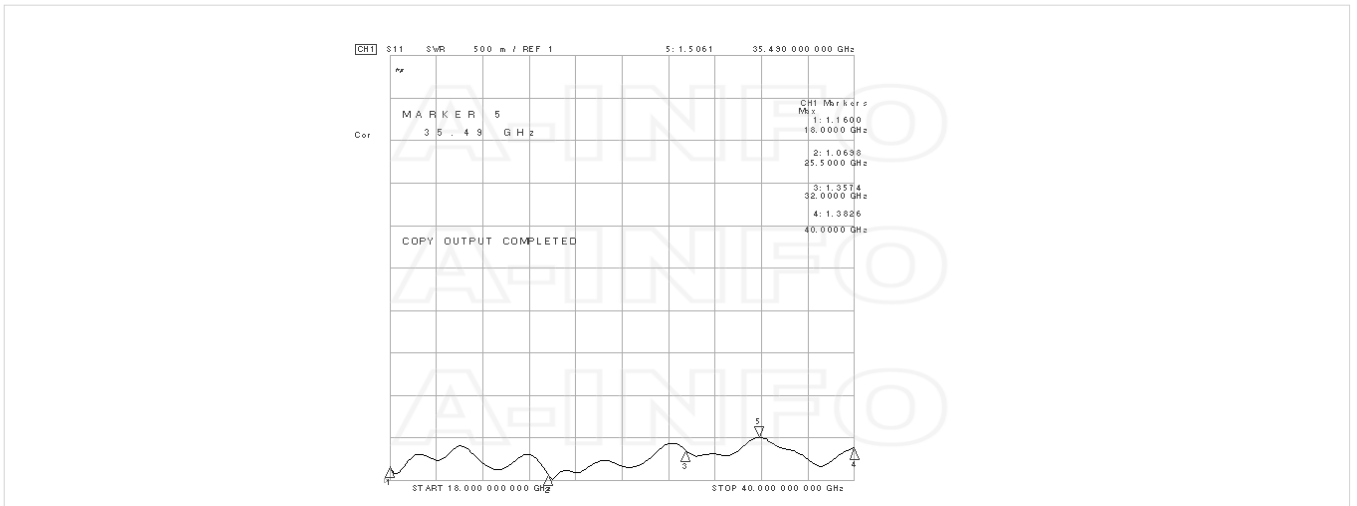
Antenna Factor (Table)

Frequency(GHz)	Gain(dBi)	Antenna Factor(dB/m)
18.0	11.22	44.10
20.0	13.07	43.16
22.0	13.12	43.94
24.0	14.54	43.28
26.0	15.07	43.44
28.0	15.14	44.01
30.0	15.73	44.02
32.0	15.77	44.55
34.0	16.38	44.46
36.0	16.82	44.52
38.0	16.91	44.90
40.0	17.38	44.87

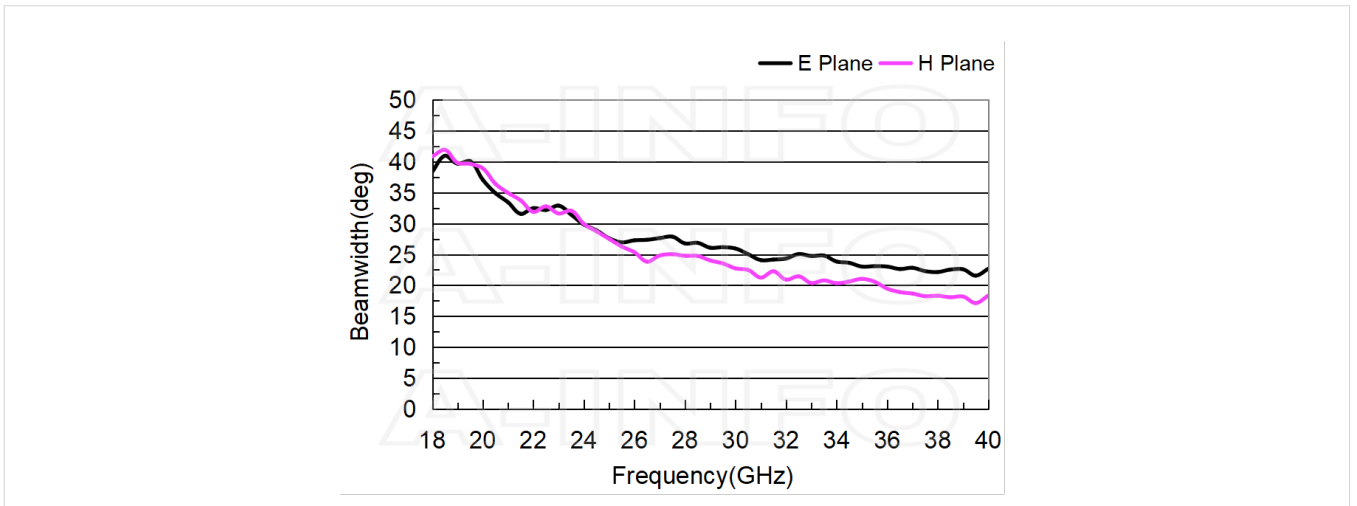
Cross Polarization Isolation



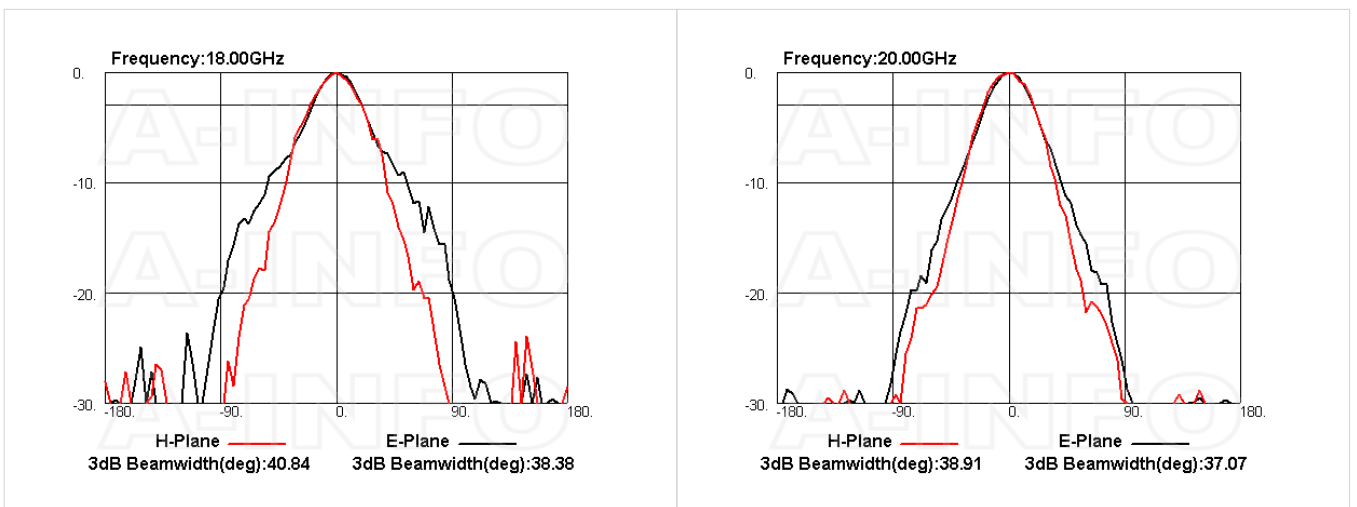
VSWR

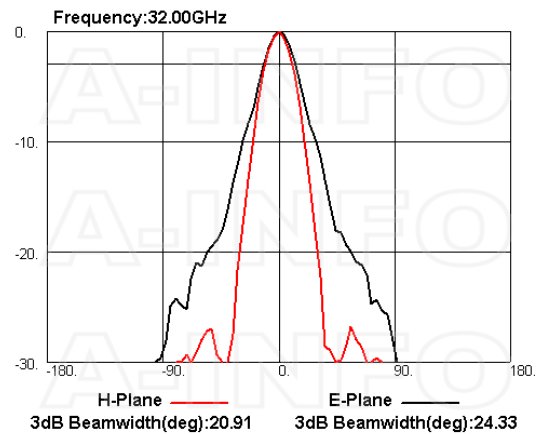
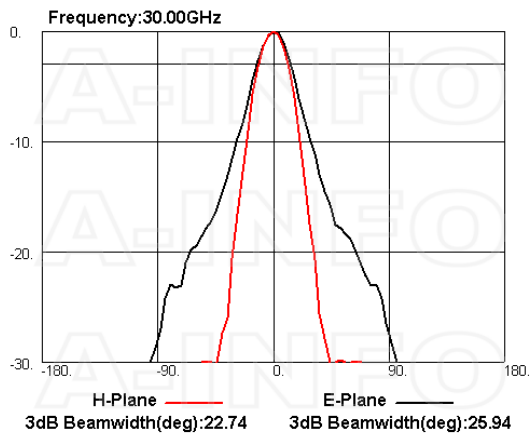
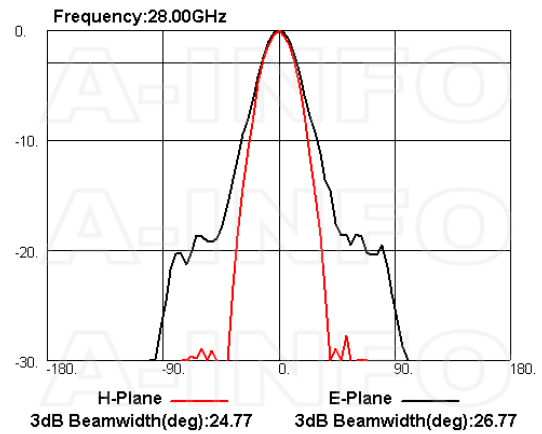
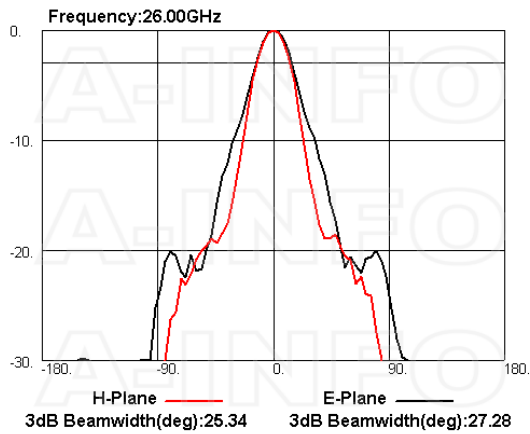
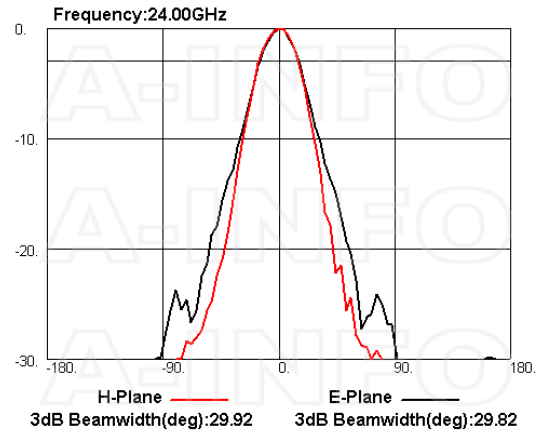
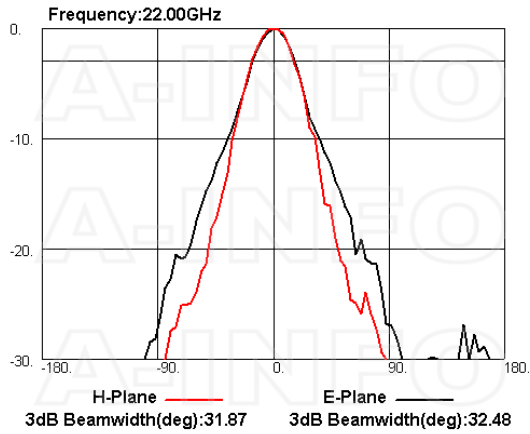


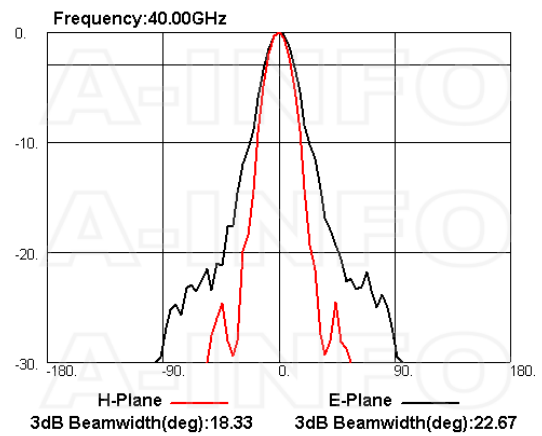
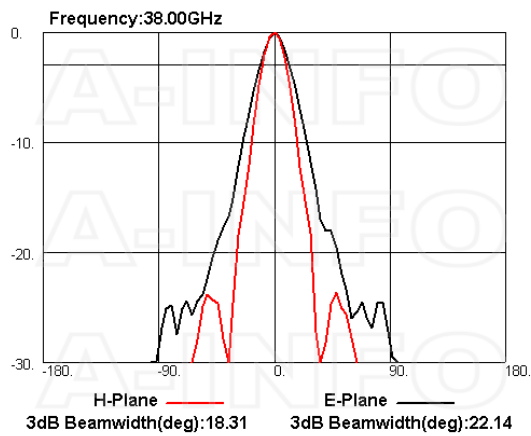
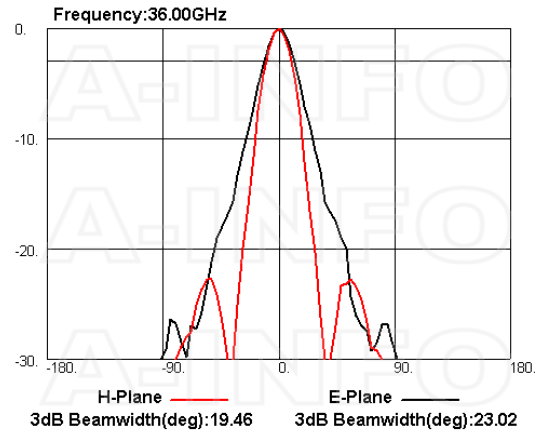
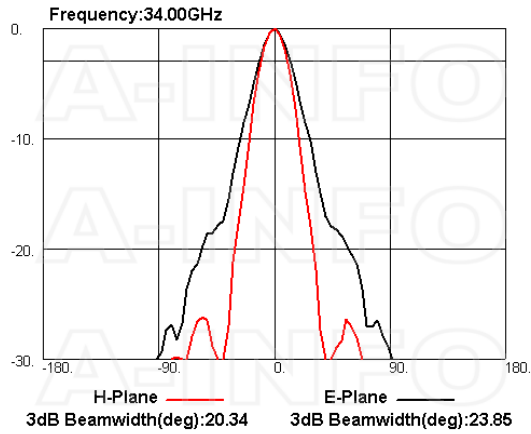
Beamwidth



Pattern







Related Products



LB-180400-10-C-MB Round Type Mounting Bracket



LB-180400-10-C-MBL L Type Mounting Bracket



Tripod_15Kg Al Alloy Tripod



3033HL Wooden Tripod



3033QM Wooden Tripod Metalfree



Carrying Case_LB-180400-15 AI Alloy Carrying Case



2.4M-2.4M-A050-500 Flexible Cable Assembly 500mm DC-40GHz 2.4mm Male to 2.4mm Male



2.4M-2.4M-A050-1000 Flexible Cable Assembly 1000mm DC-40GHz 2.4mm Male to 2.4mm Male



2.4M-2.4M-A050-1500 Flexible Cable Assembly 1500mm DC-40GHz 2.4mm Male to 2.4mm Male



2.4M-2.4M-A050-2000 Flexible Cable Assembly 2000mm DC-40GHz 2.4mm Male to 2.4mm Male



2.4M-2.4M-A050-3000 Flexible Cable Assembly 3000mm DC-40GHz 2.4mm Male to 2.4mm Male



2.4M-2.4M-A050-5000 Flexible Cable Assembly 5000mm DC-40GHz 2.4mm Male to 2.4mm Male



2.4M-2.4M-A050-10000 Flexible Cable Assembly 10000mm DC-40GHz 2.4mm Male to 2.4mm Male



2.4M-2.4M-B020-300 Flexible Cable Assembly 300mm DC-50GHz 2.4mm Male to 2.4mm Male



2.4M-2.4M-B020-500 Flexible Cable Assembly 500mm DC-50GHz 2.4mm Male to 2.4mm Male



2.4M-2.4M-B020-1000 Flexible Cable Assembly 1000mm DC-50GHz 2.4mm Male to 2.4mm Male



2.4M-2.4M-B020-1500 Flexible Cable Assembly 1500mm DC-50GHz 2.4mm Male to 2.4mm Male



2.4M-2.4M-B020-2000 Flexible Cable Assembly 2000mm DC-50GHz 2.4mm Male to 2.4mm Male



2.4M-2.4M-B020-3000 Flexible Cable Assembly 3000mm DC-50GHz 2.4mm Male to 2.4mm Male



2.4M-2.4M-B020-5000 Flexible Cable Assembly 5000mm DC-50GHz 2.4mm Male to 2.4mm Male



2.4M-2.4M-B020-10000 Flexible Cable Assembly 10000mm DC-50GHz 2.4mm Male to 2.4mm Male



2.4M-2.4F-B020S-500 Flexible Cable Assembly 500mm DC-50GHz 2.4mm Male to 2.4mm Female



2.4M-2.4F-B020S-1000 Flexible Cable Assembly 1000mm DC-50GHz 2.4mm Male to 2.4mm Female



2.4M-2.4F-B020S-1500 Flexible Cable Assembly 1500mm DC-50GHz 2.4mm Male to 2.4mm Female



2.4M-2.4F-B020S-2000 Flexible Cable Assembly 2000mm DC-50GHz 2.4mm Male to 2.4mm Female



2.4M-2.4F-B020S-3000 Flexible Cable Assembly 3000mm DC-50GHz 2.4mm Male to 2.4mm Female

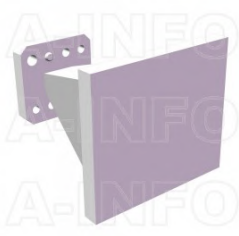


2.4M-2.4F-B020S-5000 Flexible Cable Assembly 5000mm DC-50GHz 2.4mm Male to 2.4mm Female

Similar Products



LB-180400-15-A Multi Octave Horn Antenna 18-40GHz 15dB Gain Double Ridge Waveguide Interface



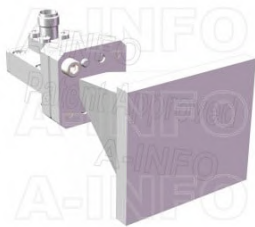
LB-180400-15-ASPO Multi Octave Horn Antenna 18-40GHz 15dB Gain Double Ridge Waveguide Interface



LB-180400-15-C-KF Multi Octave Horn Antenna 18-40GHz 15dB Gain 2.92mm Female



LB-180400-15-C-KM Multi Octave Horn Antenna 18-40GHz 15dB Gain 2.92mm Male



LB-180400-15-C-KFSPO Multi Octave Horn Antenna 18-40GHz 15dB Gain 2.92mm Female



LB-180400-15-C-2.4F Multi Octave Horn Antenna 18-40GHz 15dB Gain 2.4mm Female

About this Datasheet

<ul style="list-style-type: none"> ● Product Information Product Link: https://www.ainfoinc.com/lb-180400-15-c-2-4fspo-multi-octave-horn-antenna-18-40-ghz-15db-gain-2-4mm-female Data subject to change without notice. © A-INFO INC. 2024. All Rights Reserved 	<ul style="list-style-type: none"> ● Contact Us Address: 60 Tesla, Irvine, CA 92618, USA Website: www.ainfoinc.com Email: sales@ainfoinc.com 	<ul style="list-style-type: none"> ● Phone & Fax Phone: +1-949-639-9688 +1-949-639-9608 Fax: +1-949-639-9670
---	--	--