



LB-1536-10-A Multi Octave Horn Antenna 1.5-3.6GHz 10dB Gain Double Ridge Waveguide Interface

Multi Octave Horn Antenna From 1.5GHz to 3.6GHz With a Nominal 10dB Gain With Double Ridge Waveguide Interface

Product Information

SKU	LB-1536-10-A
-----	--------------

Description

Multi octave horn antenna LB-1536-10-A, operating from 1.5 to 3.6GHz with a nominal 10dB gain and low VSWR 1.5:1 with FPWRD150D24 output. The model LB-1536-10-A has uniform gain through its frequency span, providing efficient performance characteristics and directionality. Constructed of lightweight corrosion-resistant aluminum, the antenna will provide years of trouble-free indoor and outdoor service. This multi octave horn antenna is linearly polarized and ideally suited for EMI testing, direction finding, surveillance, antenna gain and pattern measurements and other applications.

Technical Specification

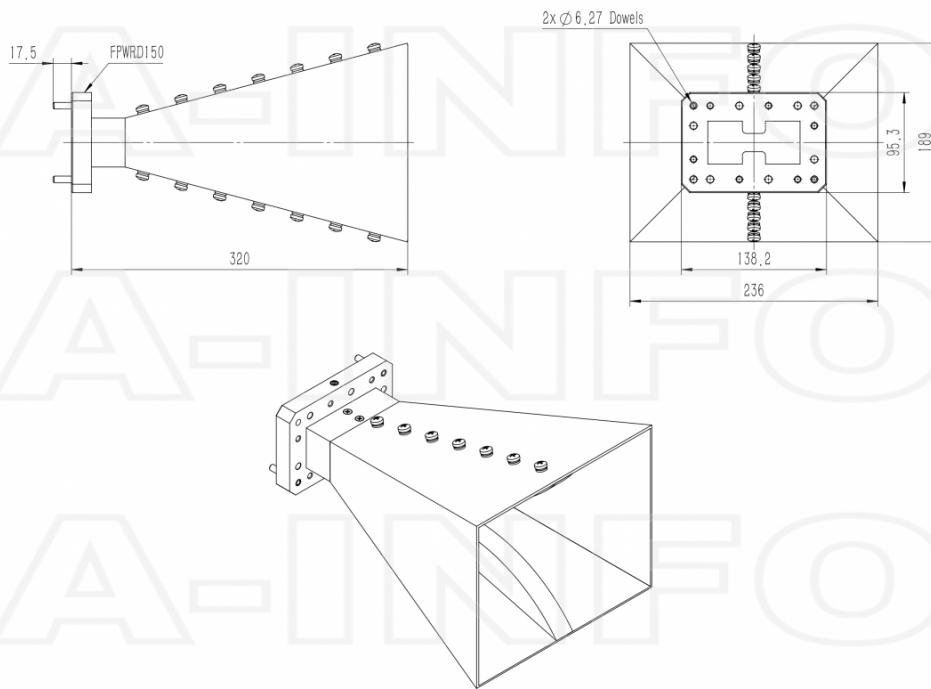
Electrical Specification		Interface	
Frequency, Min (GHz)	1.5	Output Type	Waveguide
Frequency, Max (GHz)	3.6	Flange Designation, WRD	FPWRD150D24
Waveguide Type	Double Ridge	Connector Gender	N/A
Waveguide Size EIA WRD	WRD150	Mechanical Specification	
Gain, Typ (dBi)	10	Figure	A Type
Polarization	Linear	Body Material	Al
Cross Pol. Isolation, Typ (dB)	25	Finish	Chemical Conversion Coating, Gray Paint
VSWR, Typ	1.5:1	Size, W (mm)	236
		Size, H (mm)	189
		Size, L (mm)	320

Additional Information

Application	General Purpose Indoor & Outdoor, Fixed	Solution for	Gain Reference Antenna Measurement Far-field Measurement System Intergration
-------------	---	--------------	---

Outline Drawing

FPWRD150 Output (P/N: LB-1536-10-A)



Related Products



LB-1536-10-C-MB Round Type Mounting Bracket



Tripod_50Kg+Pole Antenna_FA AI Alloy Tripod

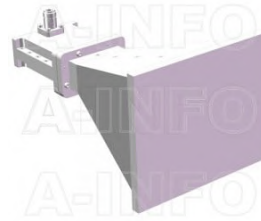
Similar Products



LB-1536-10-ASPO Multi Octave Horn Antenna 1.5-3.6GHz 10dB Gain Double Ridge Waveguide Interface



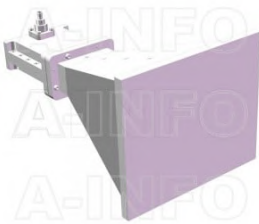
LB-1536-10-C-NF Multi Octave Horn Antenna 1.5-3.6GHz 10dB Gain N Type Female



LB-1536-10-C-NFSPO Multi Octave Horn Antenna 1.5-3.6GHz 10dB Gain N Type Female



LB-1536-10-C-SF Multi Octave Horn Antenna 1.5-3.6GHz 10dB Gain SMA Female



LB-1536-10-C-SFSPO Multi Octave Horn Antenna 1.5-3.6GHz 10dB Gain SMA Female

About this Datasheet

<ul style="list-style-type: none"> ● Product Information Product Link: https://www.ainfoinc.com/lb-1536-10-a-multi-octave-horn-antenna-1-5-3-6-ghz-10db-gain-fpwr150d24 Data subject to change without notice. © A-INFO INC. 2024. All Rights Reserved 	<ul style="list-style-type: none"> ● Contact Us Address: 60 Tesla, Irvine, CA 92618, USA Website: www.ainfoinc.com Email: sales@ainfoinc.com 	<ul style="list-style-type: none"> ● Phone & Fax Phone: +1-949-639-9688 +1-949-639-9608 Fax: +1-949-639-9670
---	--	--