

LB-08420-10-ASPO Multi Octave Horn Antenna 0.84-2GHz 10dB Gain Double Ridge Waveguide Interface

Multi Octave Horn Antenna From 0.84GHz to 2GHz With a Nominal 10dB Gain With Double Ridge Waveguide Interface

Product Information

SKU	LB-08420-10-ASPO
-----	------------------

Description

Multi octave horn antenna LB-08420-10-ASPO, operating from 0.84 to 2GHz with a nominal 10dB gain and low VSWR 1.5:1 with FPWRD84D24 output. The model LB-08420-10-ASPO has uniform gain through its frequency span, providing efficient performance characteristics and directionality. Constructed of lightweight corrosion-resistant aluminum, the horn comes with a specially designed weatherproof radome which provides excellent protection against the rain and dust but has very little loss across the full operating frequency band. This multi octave horn antenna is linearly polarized and ideally suited for EMI testing, direction finding, surveillance, antenna gain and pattern measurements and other applications.

Technical Specification

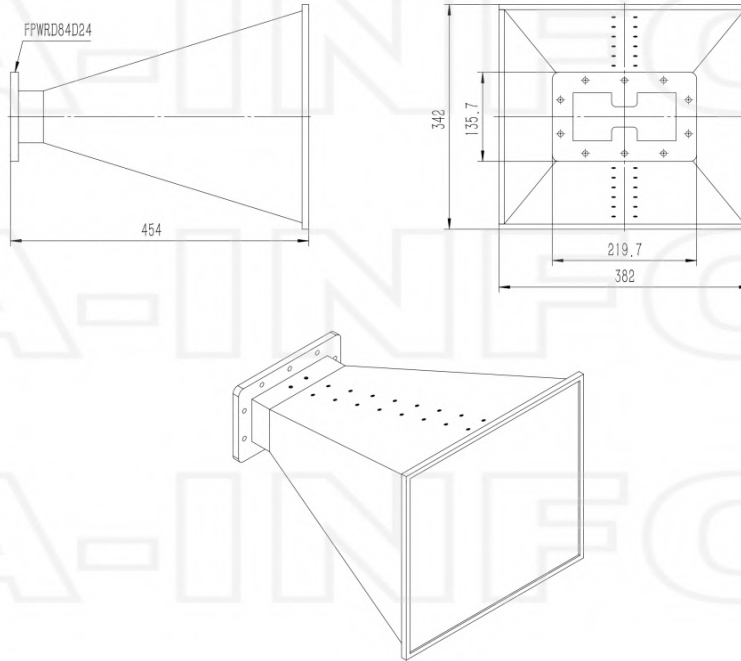
Electrical Specification		Interface	
Frequency, Min (GHz)	0.84	Output Type	Waveguide
Frequency, Max (GHz)	2	Flange Designation, WRD	FPWRD84D24
Waveguide Type	Double Ridge	Connector Gender	N/A
Waveguide Size EIA WRD	WRD84	Mechanical Specification	
Gain, Typ (dBi)	10	Figure	A Type
Polarization	Linear	Body Material	Al
Cross Pol. Isolation, Typ (dB)	25	Finish	Chemical Conversion Coating, Gray Paint
VSWR, Typ	1.5:1	Size, W (mm)	382
		Size, H (mm)	342
		Size, L (mm)	454
		Weight, (kg)	5.7

Additional Information

Application	Outdoor, Waterproof and Dustproof, Fixed	Solution for	Gain Reference Antenna Measurement Far-field Measurement System Intergration
-------------	--	--------------	---

Outline Drawing

FPWRD84D24 Output with Radome (Option, P/N: LB-08420-10-ASPO, Outdoor Application)



Related Products



84DRWCAN Right Angle Double Ridge Waveguide to Coaxial Adapter 0.84-2GHz WRD84 to N Type Female



84DRWECAN Endlaunch Double Ridge Waveguide to Coaxial Adapter 0.84-2GHz WRD84 to N Type Female



84DRWHCAN Right Angle High Power Double Ridge Waveguide to Coaxial Adapter 0.84-2GHz WRD84 to N Type Female



LB-08420-10-C-MB Round Type Mounting Bracket



LB-08420-10-C-L L type mounting bracket

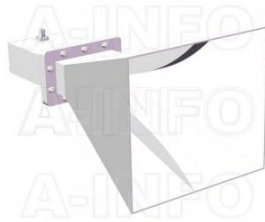


Tripod_50Kg Al Alloy Tripod

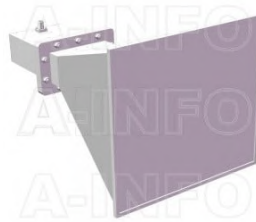
Similar Products



LB-08420-10-A Multi Octave Horn Antenna 0.84-2GHz 10dB Gain Double Ridge Waveguide Interface



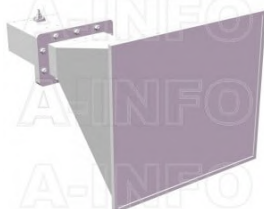
LB-08420-10-C-NF Multi Octave Horn Antenna 0.84-2GHz 10dB Gain N Type Female



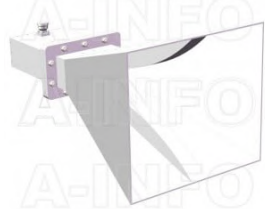
LB-08420-10-C-NFSPO Multi Octave Horn Antenna 0.84-2GHz 10dB Gain N Type Female



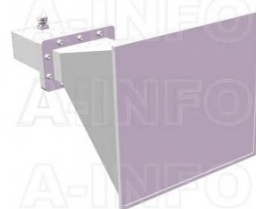
LB-08420-10-C-SF Multi Octave Horn Antenna 0.84-2GHz 10dB Gain SMA Female



LB-08420-10-C-SFSPO Multi Octave Horn Antenna 0.84-2GHz 10dB Gain SMA Female



LB-08420-10-C-7/16F Multi Octave Horn Antenna 0.84-2GHz 10dB Gain 7/16 DIN Female



LB-08420-10-C-7/16FSPO Multi Octave Horn Antenna 0.84-2GHz 10dB Gain 7/16 DIN Female

About this Datasheet

<ul style="list-style-type: none"> ● Product Information Product Link: https://www.ainfoinc.com/lb-08420-10-aspo-multi-octave-horn-antenna-0-84-2-ghz-10db-gain-fpwr84d24 Data subject to change without notice. © A-INFO INC. 2024. All Rights Reserved 	<ul style="list-style-type: none"> ● Contact Us Address: 60 Tesla, Irvine, CA 92618, USA Website: www.ainfoinc.com Email: sales@ainfoinc.com 	<ul style="list-style-type: none"> ● Phone & Fax Phone: +1-949-639-9688 +1-949-639-9608 Fax: +1-949-639-9670
---	--	---