

Variable Attenuators

Summary:

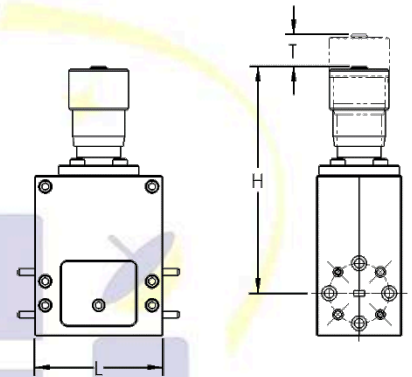
The variable attenuator is used to adjust power, reduce reflection interaction, and provide isolation for certain components where needed. These attenuators contain a section of waveguide with a narrow slot milled in the broad wall. Through this slot, a thin metalized Mylar vane is introduced into the waveguide by a precision micrometer. The driver mechanism is arranged to provide 0-30 dB of attenuation over 0.300-inch travel on the micrometer dial. Featuring no backlash, these units will produce accurate and reproducible settings. Variable Attenuators are available in sizes WR3 to WR42. Smaller sizes such as WR1.5, WR2.2, and WR2.8 are also available upon request.



This product is now available with a metric micrometer drive assembly.

Ordering Example:

VA10R is a Variable Attenuator in WR10 with a round flange hole pattern.



RF Specifications				Mechanical Specifications				
Part Name	WR	Frequency (GHz)	VSWR	WG A DIM (in)	WG B DIM (in)	Length - A (in)	Height - B (in)	Flange
VA42S	42	18 - 26.5	1.15:1	0.4200	0.1700	*	*	S 0.875
VA28S	28	26.5 - 40	1.15:1	0.2800	0.1400	*	*	S 0.750
VA22R	22	33 - 50	1.15:1	0.2240	0.1120	1.500	2.185	R 1.125
VA19R	19	40 - 60	1.15:1	0.1880	0.0940	1.500	2.185	R 1.125
VA15R	15	50 - 75	1.15:1	0.1480	0.0740	1.500	2.125	R 0.750
VA12R	12	60 - 90	1.2:1	0.1220	0.0610	1.200	2.125	R 0.750
VA10R	10	75 - 110	1.2:1	0.1000	0.0500	1.200	2.125	R 0.750
VA8R	8	90 - 140	1.2:1	0.0800	0.0400	1.200	2.125	R 0.750
VA6R	6	110 - 175	1.2:1	0.0650	0.0325	1.200	2.125	R 0.750
VA5R	5	140 - 220	1.2:1	0.0510	0.0255	1.200	2.125	R 0.750
VA4R	4	170 - 260	1.2:1	0.0430	0.0215	1.200	2.125	R 0.750
VA3R	3	220 - 325	1.2:1	0.0340	0.0170	1.200	2.125	R 0.750

*Available Upon Request