

WR10 and WR9.0 Modular Mini SGX Addendum

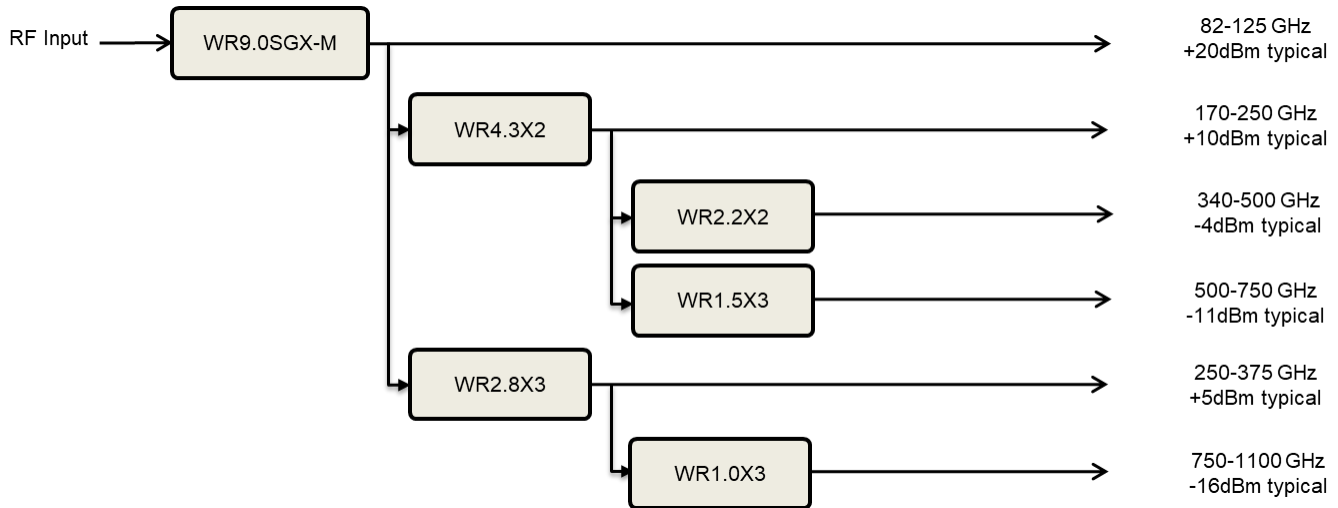
Modular Mini SGX Overview

Virginia Diodes (VDI) offers external multipliers compatible with WR10 (75-110 GHz) and WR9.0 (82-125 GHz) Mini SGX Modules to extend the frequency coverage up to ~1 THz. Some external multipliers may require bias from the Voltage Bias Ports on the front panel of the Mini SGX. For information on how to operate the Mini SGX Modules please refer to VDI-730.2 (Mini SGX Product Manual). External multipliers compatible with other Mini SGX Modules may be available. Contact VDI for more information.

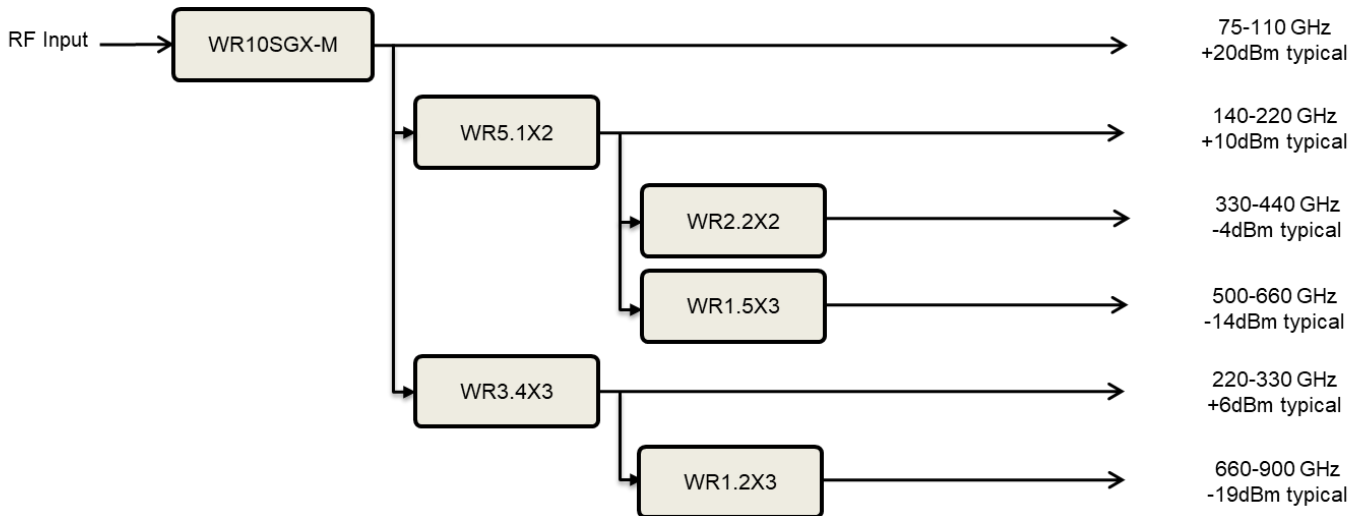


Block Diagrams

WR9.0 Modular Mini SGX Configuration



WR10 Modular Mini SGX Configuration



Configuration Photos

Photos below are a typical configuration. Exact form factor of multipliers are subject to change.

WR9.0 Base Unit



WR9.0SGX-M + WR4.3X2



WR9.0SGX-M + WR2.8X3



WR9.0SGX-M + WR4.3X2 + WR2.2X2



WR9.0SGX-M + WR4.3X2 + WR1.5X3



WR9.0SGX-M + WR2.8X3 + WR1.0X3

WR10 Base Unit



WR10SGX-M + WR5.1X2



WR10SGX-M + WR3.4X3



WR10SGX-M + WR5.1X2 + WR2.2X2



WR10SGX-M + WR5.1X2 + WR1.5X3



WR10SGX-M + WR3.4X3 + WR1.2X3

Typical Performance

