

STA-30-28-F1

Ka-Band Fixed Attenuator, 30 dB

STA-30-28-F1 is a 30 dB fixed attenuator that is used in millimeterwave systems and operates from 26.5 to 40 GHz. The attenuator has a fixed attenuation value of 30 dB at center frequency, 33.25 GHz. The attenuator's waveguides are manufactured with precision wire EDM to ensure high accuracy and a quality internal surface finish. The design features a sandblasted surface treatment to provide a durable finish. While the attenuator is designed for full waveguide band applications, the attenuation value does show a minor slope within the band due to its distinct mechanical configuration. Other attenuation values are available under different model numbers as **STA-XX-28-F1**, where **XX** is the desired attenuation value.



Electrical Specifications:

| Parameter | Minimum | Typical | Maximum |
|------------------------------|----------|---------|--------------|
| Frequency Range | 26.5 GHz | | 40 GHz |
| Attenuation Range @ 33.25GHz | | 30 dB | |
| Return Loss | | 20 dB | |
| Power Handling | | 750 mW | 1000 mW (CW) |
| Specification Temperature | | +25°C | |
| Operating Temperature | -40°C | | +85°C |

Mechanical Specifications:

| Item | Specification |
|---------------------|--------------------------------------|
| Waveguide Ports | WR-28 Waveguide with UG-599/U Flange |
| Attenuation Setting | Fixed |
| Insertion Length | 3.00" |
| Material | Brass |
| Finish | Gold Plated |
| Weight | 3.5 Oz |
| Outline | TA-FA |

ECCN

EAR99

FEATURES

- Full Band Coverage
- Low Cost
- Accurate Attenuation Value at Center Frequency

APPLICATIONS

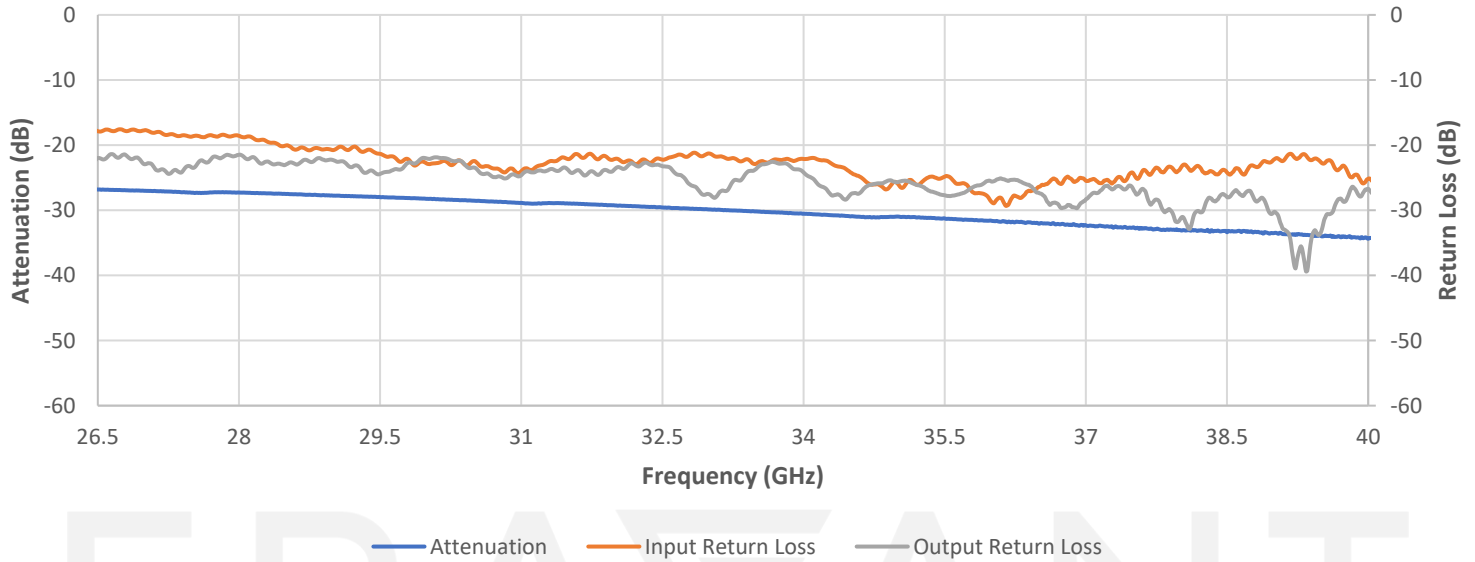
- Test Lab
- Instrumentations
- System Integration

SUPPLEMENTAL DETAILS

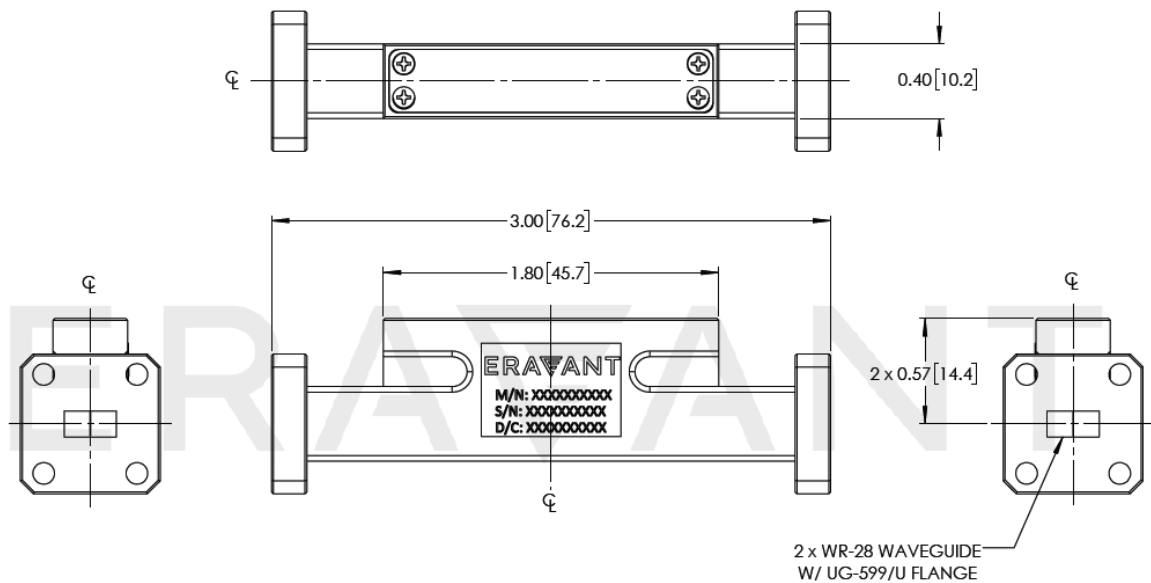


STA-30-28-F1

Typical Performance vs. Frequency



Mechanical Outline: (Unless otherwise specified, all dimensions are in inches [millimeters])



MAKING MILLIMETERWAVE ACCESSIBLE

NOTE:

- All data presented is collected from a sample lot. Actual data may vary unit to unit, slightly.
- All testing was performed under +25 °C case temperature.
- Eravant reserves the right to change the information presented without notice.

CAUTION:

- Exceeding absolute maximum ratings will damage the device.
- Any foreign objects in the waveguide will cause performance degradation and may damage the device.

ERAVANT
MAKING MILLIMETERWAVE ACCESSIBLE

ERAVANT
MAKING MILLIMETERWAVE ACCESSIBLE