

STA-30-28-F1-C-2.0

Ka-Band Compact Fixed Attenuator, 30 dB, Insertion Length 2.0”

STA-30-28-F1-C-2.0 is a compact fixed attenuator with an insertion length of 2.0”. The attenuator is used in millimeterwave systems and operates from 26.5 to 40 GHz. The attenuator has a fixed attenuation value of 30 dB at the center frequency, 33.25 GHz. While the attenuator is designed and fabricated for full waveguide band applications, the attenuation value of this model does show a minor slope within the band due to its distinct mechanical configuration. Other attenuation values are available under different model numbers as **STA-XX-28-F1-C-2.0**, where **XX** is the desired attenuation value.



Electrical Specifications:

Parameter	Minimum	Typical	Maximum
Frequency	26.5 GHz		40 GHz
Attenuation @ 33.25 GHz		30 dB	
Return Loss		20 dB	
Power Handling			0.5 W (CW)
Specification Temperature		+25°C	
Operating Temperature	-40°C		+85°C

Mechanical Specifications:

Item	Specification
Waveguide Ports	WR-28 Waveguide with UG-599/U Flange
Setting	Fixed
Insertion Length	2.00”
Material	Aluminum
Finish	Gold Plated
Weight	0.8 Oz
Outline	WF-BA

ECCN

EAR99

FEATURES

- Full Band Coverage
- Low Cost
- Accurate Attenuation Value at Center Frequency
- Compact Design

APPLICATIONS

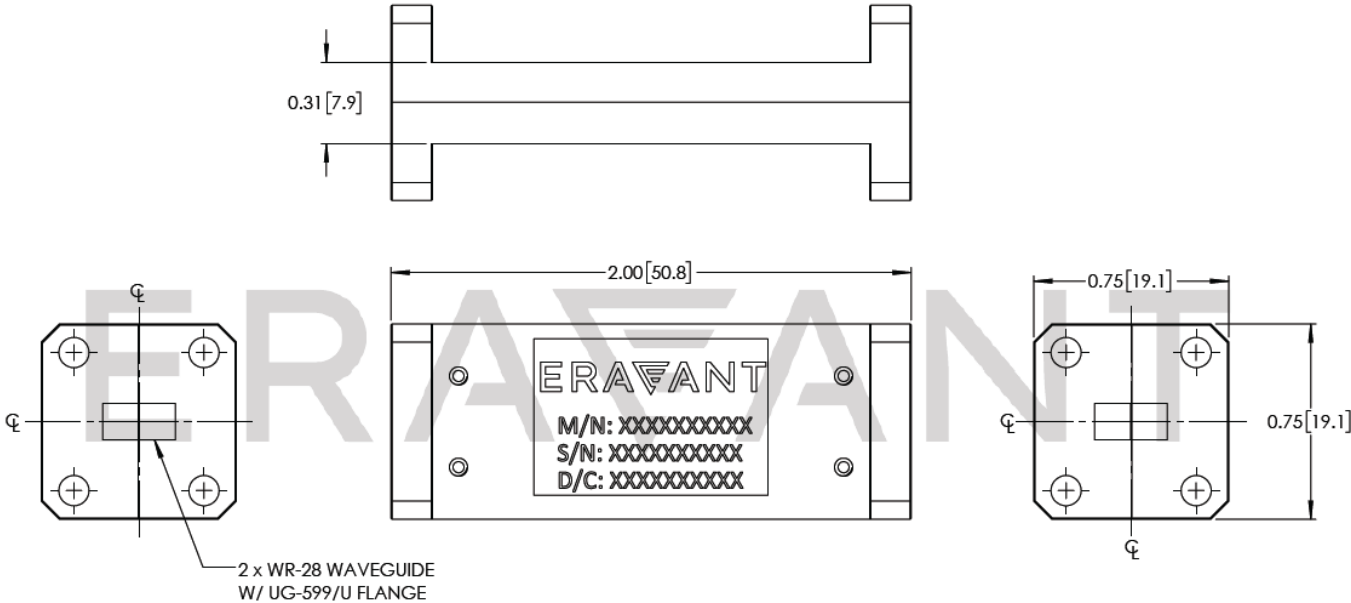
- Test Lab
- Instrumentations
- System Integration

SUPPLEMENTAL DETAILS



STA-30-28-F1-C-2.0

Mechanical Outline: (Unless otherwise specified, all dimensions are in inches [millimeters])



NOTE:

- All data presented is collected from a sample lot. Actual data may vary unit to unit, slightly.
- All testing was performed under +25 °C case temperature.
- Eravant reserves the right to change the information presented without notice.

CAUTION:

- Exceeding absolute maximum ratings will damage the device.
- Any foreign objects in the waveguide will cause performance degradation and may damage the device.