

STA-30-12-F1

E-Band Fixed Attenuator, 30 dB

STA-30-12-F1 is a 30 dB fixed attenuator that is used in millimeterwave systems and operates from 60 to 90 GHz. The attenuator has a fixed attenuation value of 30 dB at center frequency, 75 GHz. The attenuator's waveguides are manufactured with precision wire EDM to ensure high accuracy and a quality internal surface finish. The design features anti-cocking flanges to reduce misalignment errors and a sandblasted surface treatment to provide a durable finish. While the attenuator is designed for full waveguide band applications, the attenuation value does show a minor slope within the band due to its distinct mechanical configuration. Other attenuation values are available under different model numbers as **STA-XX-12-F1**, where **XX** is the desired attenuation value.



Electrical Specifications:

Parameter	Minimum	Typical	Maximum
Frequency Range	60 GHz		90 GHz
Attenuation @ 75 GHz		30.0 dB	
Return Loss		20 dB	
Power Handling		500 mW	750 mW (CW)
Specification Temperature		+25°C	
Operating Temperature	-40°C		+85°C

Mechanical Specifications:

Item	Specification
RF Ports	WR-12 Waveguide with UG-387/U Anti-Cocking Flange
Attenuation Setting Type	Fixed
Insertion Length	2.50"
Material	Brass
Finish	Gold Plated
Weight	1.68 Oz
Outline	TA-FE-A

ECCN

EAR99

FEATURES

- Full Band Coverage
- Lost Cost
- Accurate Attenuation Value at Center Frequency

APPLICATIONS

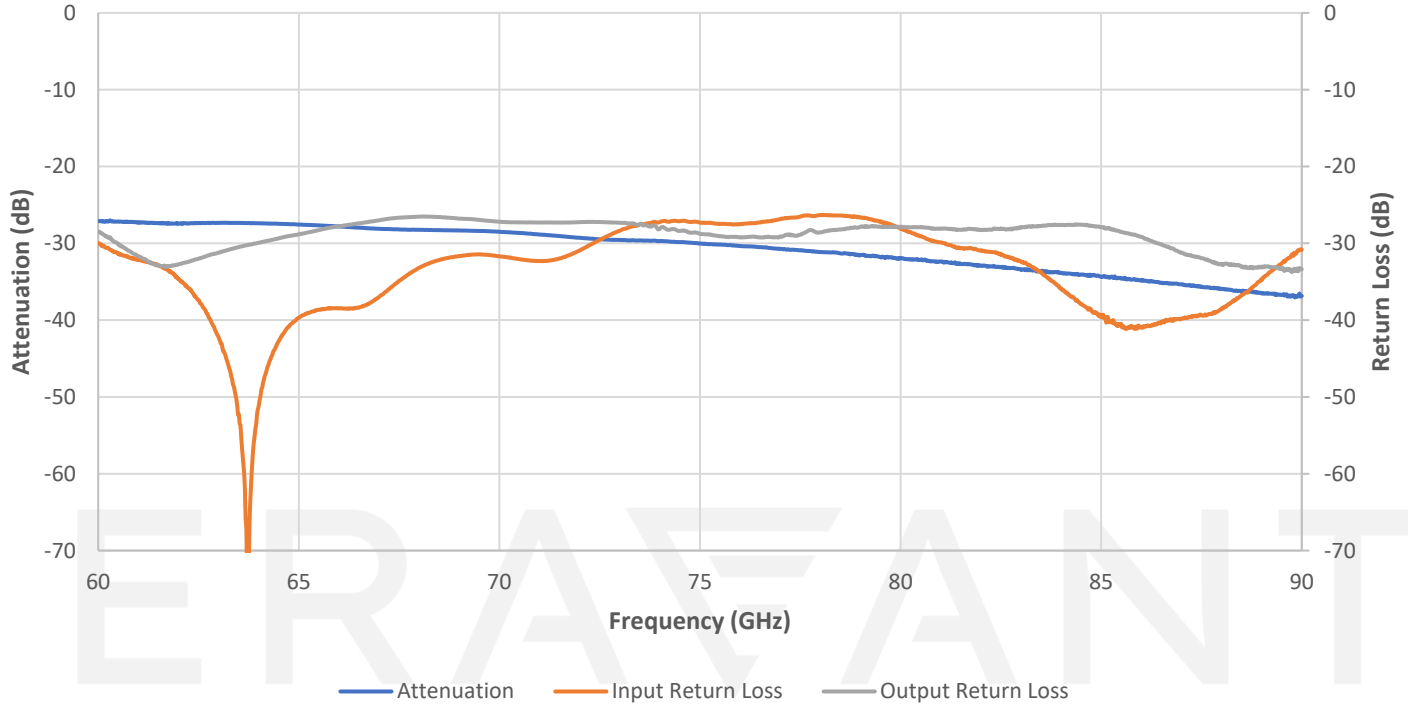
- Test Lab
- Instrumentations
- System Integration

SUPPLEMENTAL DETAILS

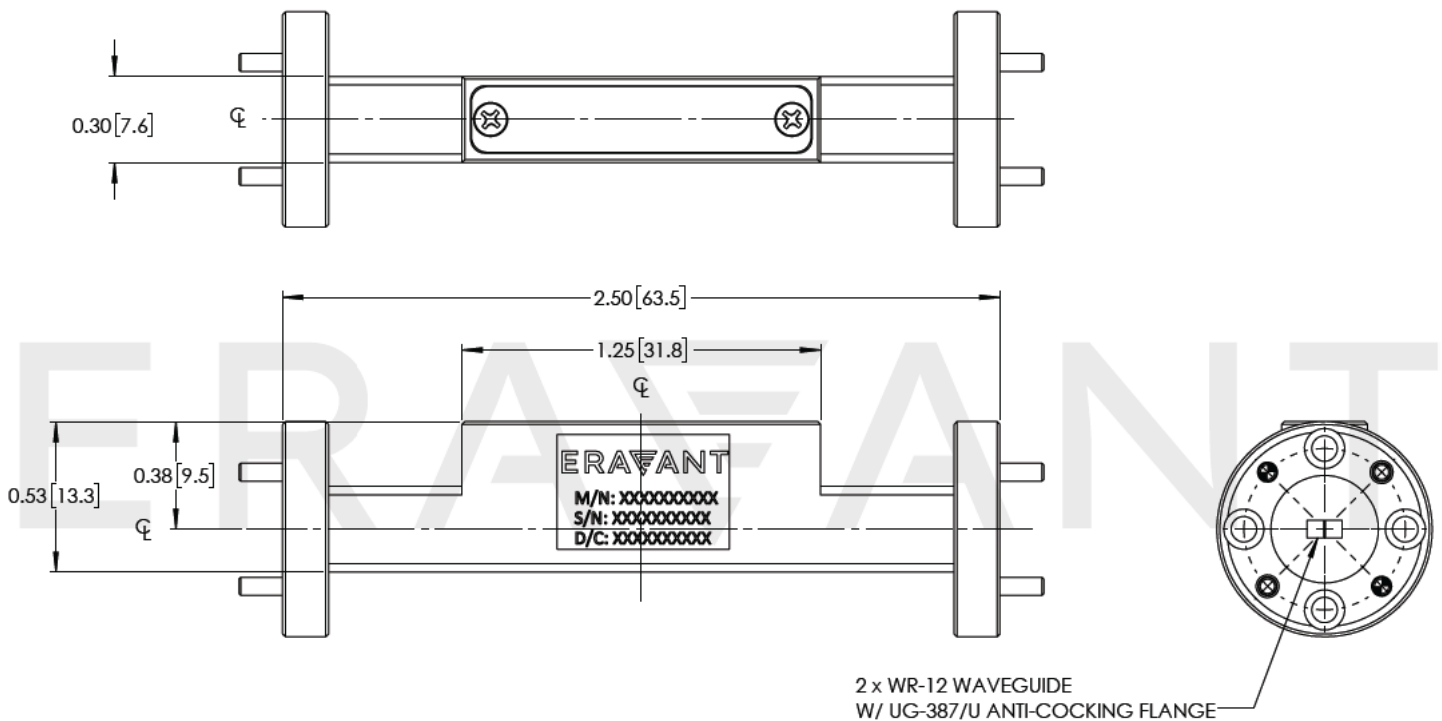


STA-30-12-F1

Typical Performance vs. Frequency



Mechanical Outline: (Unless otherwise specified, all dimensions are in inches [millimeters])



NOTE:

- All data presented is collected from a sample lot. Actual data may vary unit to unit, slightly.
- All testing was performed under +25 °C case temperature.
- Eravant reserves the right to change the information presented without notice.

CAUTION:

- Exceeding absolute maximum ratings will damage the device.
- Any foreign objects in the waveguide will cause performance degradation and may damage the device.

ERAVANT
MAKING MILLIMETERWAVE ACCESSIBLE

ERAVANT
MAKING MILLIMETERWAVE ACCESSIBLE