

STA-06-10-F1

W-Band Fixed Attenuator, 6 dB

STA-06-10-F1 is a 6 dB fixed attenuator that is used in millimeterwave systems and operates from 75 to 110 GHz. The attenuator has a fixed attenuation value of 6 dB at center frequency, 92.5 GHz. The attenuator's waveguides are manufactured with precision wire EDM to ensure high accuracy and a quality internal surface finish. The design features anti-cocking flanges to reduce misalignment errors and a sandblasted surface treatment to provide a durable finish. While the attenuator is designed for full waveguide band applications, the attenuation value does show a minor slope within the band due to its distinct mechanical configuration. Other attenuation values are available under different model numbers as **STA-XX-10-F1**, where **XX** is the desired attenuation value.



Electrical Specifications:

| Parameter | Minimum | Typical | Maximum |
|---------------------------|---------|---------|-------------|
| Frequency Range | 75 GHz | | 110 GHz |
| Attenuation @ 92.5 GHz | | 6.0 dB | |
| Return Loss | | 20 dB | |
| Power Handling | | 500 mW | 750 mW (CW) |
| Specification Temperature | | +25°C | |
| Operating Temperature | -40°C | | +85°C |

Mechanical Specifications:

| Item | Specification |
|--------------------------|---|
| RF Ports | WR-10 Waveguide with UG-387/U-M Anti-Cocking Flange |
| Attenuation Setting Type | Fixed |
| Insertion Length | 2.50" |
| Material | Brass |
| Finish | Gold Plated |
| Weight | 1.7 Oz |
| Outline | TA-FW-A |

ECCN

EAR99

FEATURES

- Full Band Coverage
- Lost Cost
- Accurate Attenuation Value at Center Frequency High Resolution Micrometer

APPLICATIONS

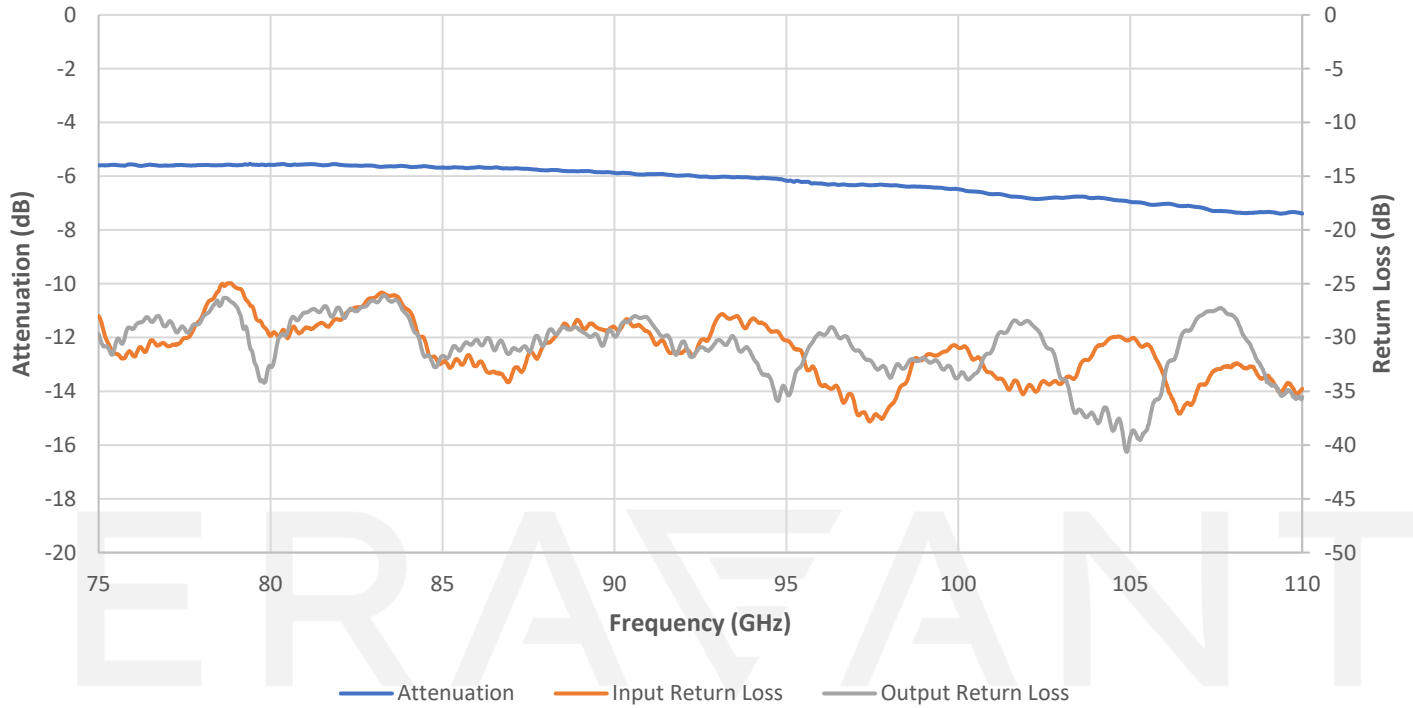
- Test Lab
- Instrumentations
- System Integration

SUPPLEMENTAL DETAILS

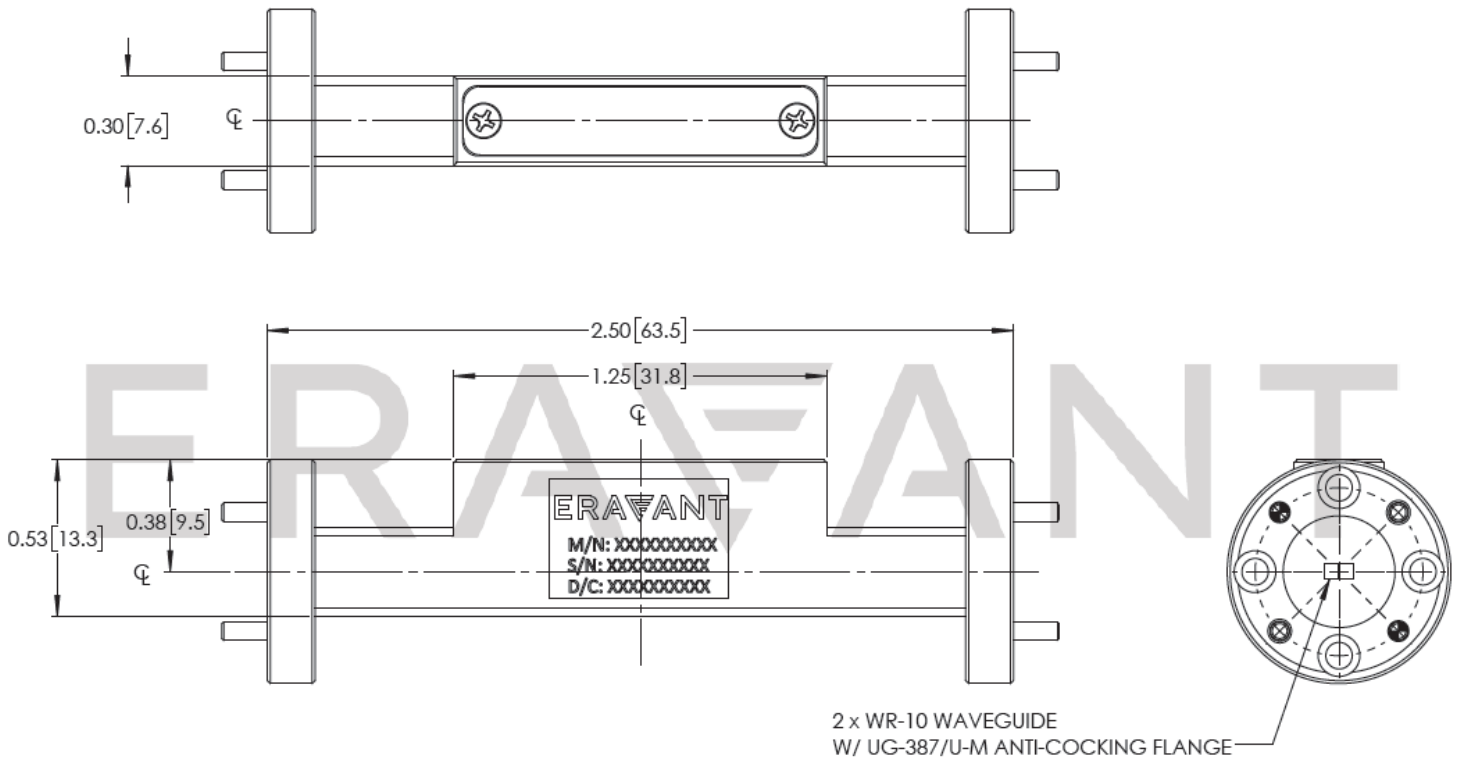


STA-06-10-F1

Typical Performance vs. Frequency



Mechanical Outline: (Unless otherwise specified, all dimensions are in inches [millimeters])



NOTE:

- All data presented is collected from a sample lot. Actual data may vary unit to unit, slightly.
- All testing was performed under +25 °C case temperature.
- Eravant reserves the right to change the information presented without notice.

CAUTION:

- Exceeding absolute maximum ratings will damage the device.
- Any foreign objects in the waveguide will cause performance degradation and may damage the device.

ERAVANT
MAKING MILLIMETERWAVE ACCESSIBLE

ERAVANT
MAKING MILLIMETERWAVE ACCESSIBLE