

## STA-06-08-F1

### F-Band Fixed Attenuator, 6 dB

**STA-06-08-F1** is a 6 dB fixed attenuator that is used in millimeterwave systems and operates from 90 to 140 GHz. The attenuator has a fixed attenuation value of 6 dB at center frequency, 115 GHz. The attenuator's waveguides are manufactured with precision wire EDM to ensure high accuracy and a quality internal surface finish. The design features anti-cocking flanges to reduce misalignment errors and a sandblasted surface treatment to provide a durable finish. While the attenuator is designed for full waveguide band applications, the attenuation value does show a minor slope within the band due to its distinct mechanical configuration. Other attenuation values are available under different model numbers as **STA-XX-08-F1**, where **XX** is the desired attenuation value.



### Electrical Specifications:

| Parameter                   | Minimum | Typical | Maximum     |
|-----------------------------|---------|---------|-------------|
| Frequency Range             | 90 GHz  |         | 140 GHz     |
| Attenuation Range @ 115 GHz |         | 6 dB    |             |
| Return Loss                 |         | 20 dB   |             |
| Power Handling              |         |         | 300 mW (CW) |
| Specification Temperature   |         | +25°C   |             |
| Operating Temperature       | -40°C   |         | +85°C       |

### Mechanical Specifications:

| Item                | Specification                                       |
|---------------------|-----------------------------------------------------|
| Waveguide Ports     | WR-08 Waveguide with UG-387/U-M Anti-Cocking Flange |
| Attenuation Setting | Fixed                                               |
| Insertion Length    | 2.00"                                               |
| Material            | Brass                                               |
| Finish              | Gold Plated                                         |
| Weight              | 1.5 Oz                                              |
| Outline             | TA-FF-A                                             |

### ECCN

EAR99

### FEATURES

- Full Band Coverage
- Low Cost
- Accurate Attenuation Value at Center Frequency

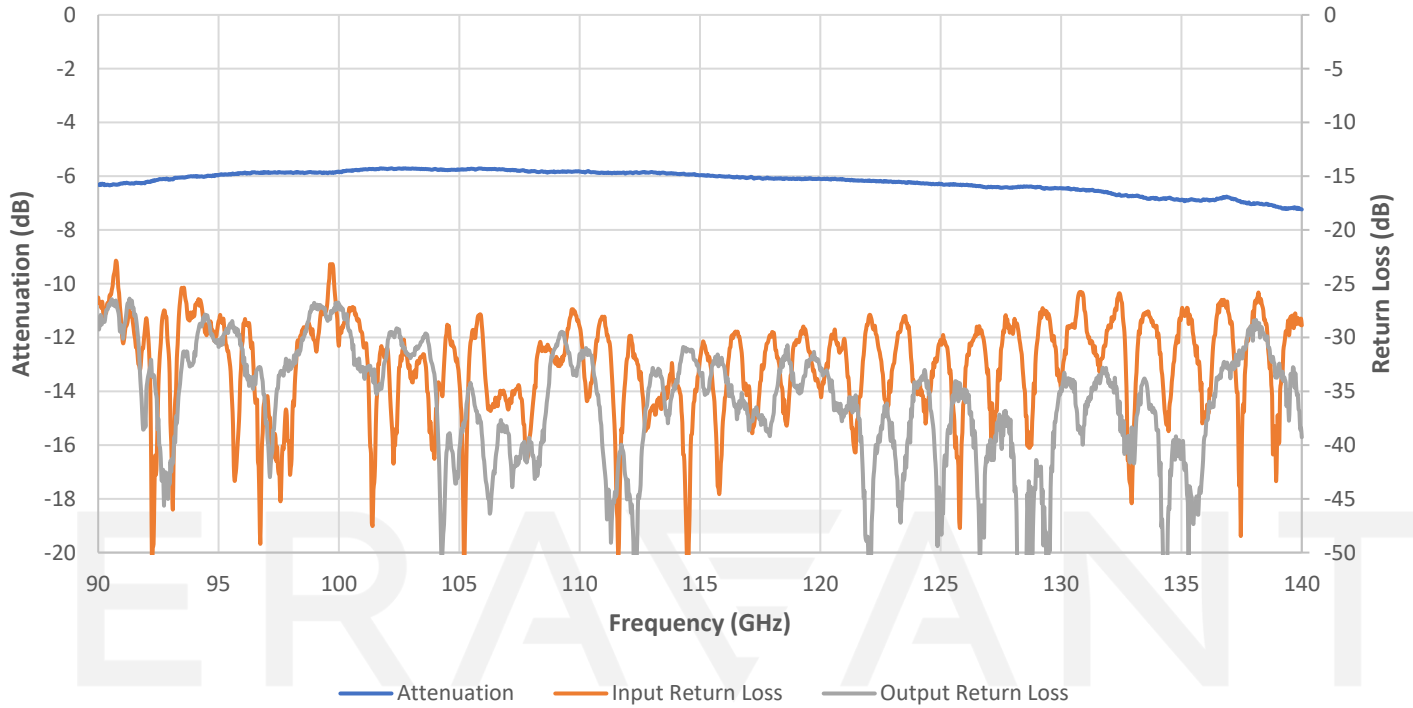
### APPLICATIONS

- Test Lab
- Instrumentations
- System Integration

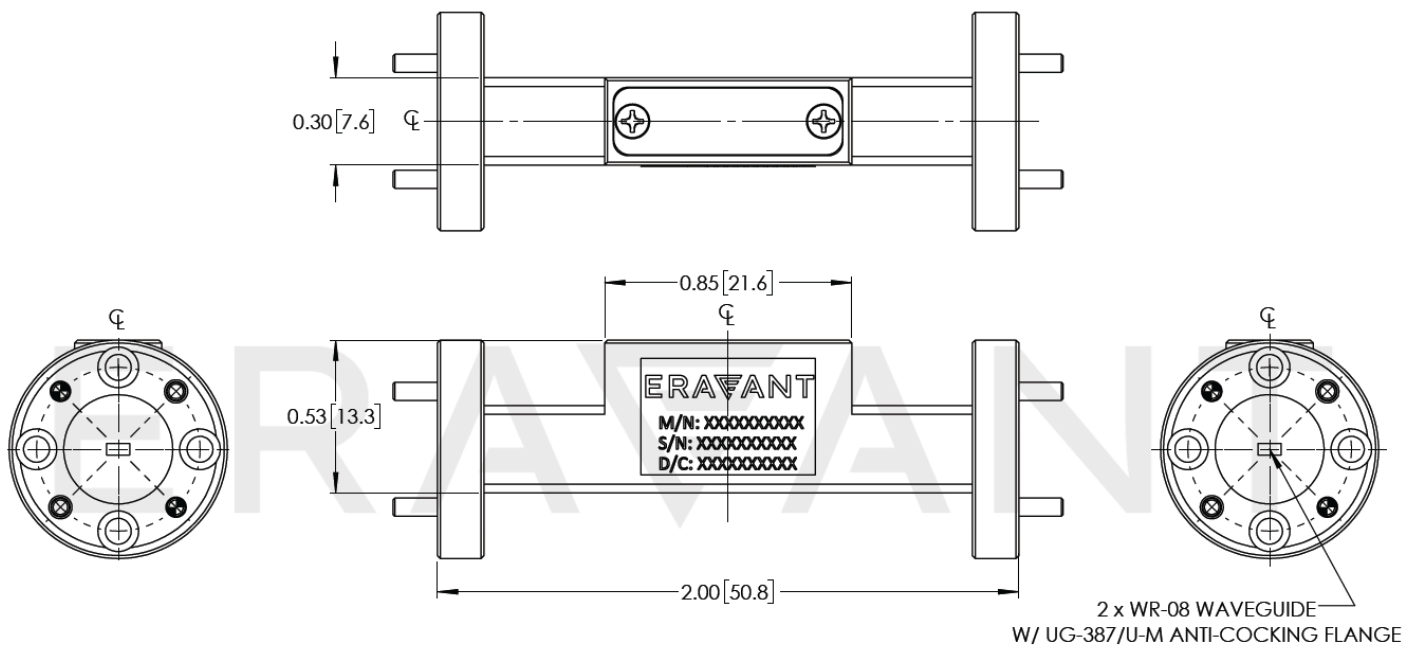
### SUPPLEMENTAL DETAILS



### Typical Performance vs Frequency



### Mechanical Outline: (Unless otherwise specified, all dimensions are in inches [millimeters])



**NOTE:**

- All data presented is collected from a sample lot. Actual data may vary unit to unit, slightly.
- All testing was performed under +25 °C case temperature.
- Eravant reserves the right to change the information presented without notice.

**CAUTION:**

- Exceeding absolute maximum ratings will damage the device.
- Any foreign objects in the waveguide will cause performance degradation and may damage the device.

ERAVANT  
MAKING MILLIMETERWAVE ACCESSIBLE

ERAVANT  
MAKING MILLIMETERWAVE ACCESSIBLE