

## STA-06-04-F1

### WR-04 Fixed Attenuator, 6 dB

**STA-06-04-F1** is a 6 dB fixed attenuator that is used in millimeterwave systems and operates from 170 to 260 GHz. The attenuator has a fixed attenuation value of 6 dB at center frequency, 215 GHz. While the attenuator is designed for full waveguide band applications, the attenuation value does show a minor slope within the band due to its distinct mechanical configuration. Various attenuation values are available under different model numbers.



#### Electrical Specifications:

Parameter	Minimum	Typical	Maximum
Frequency Range	170 GHz		260 GHz
Attenuation @ 215 GHz		6 dB	
Return Loss		16 dB	
Power Handling			100 mW
Specification Temperature		+25°C	
Operating Temperature	-40°C		+85°C

#### Mechanical Specifications:

Item	Specification
Waveguide Ports	WR-04 Waveguide with UG-387/U-M Anti-Cocking Flange
Attenuation Setting	Fixed
Insertion Length	1.00"
Material	Aluminum
Finish	Gold Plated
Weight	0.4 Oz
Outline	TA-F04-A

#### ECCN

EAR99

#### FEATURES

- Full Band Coverage
- Low Cost
- Accurate Attenuation Value at Center Frequency

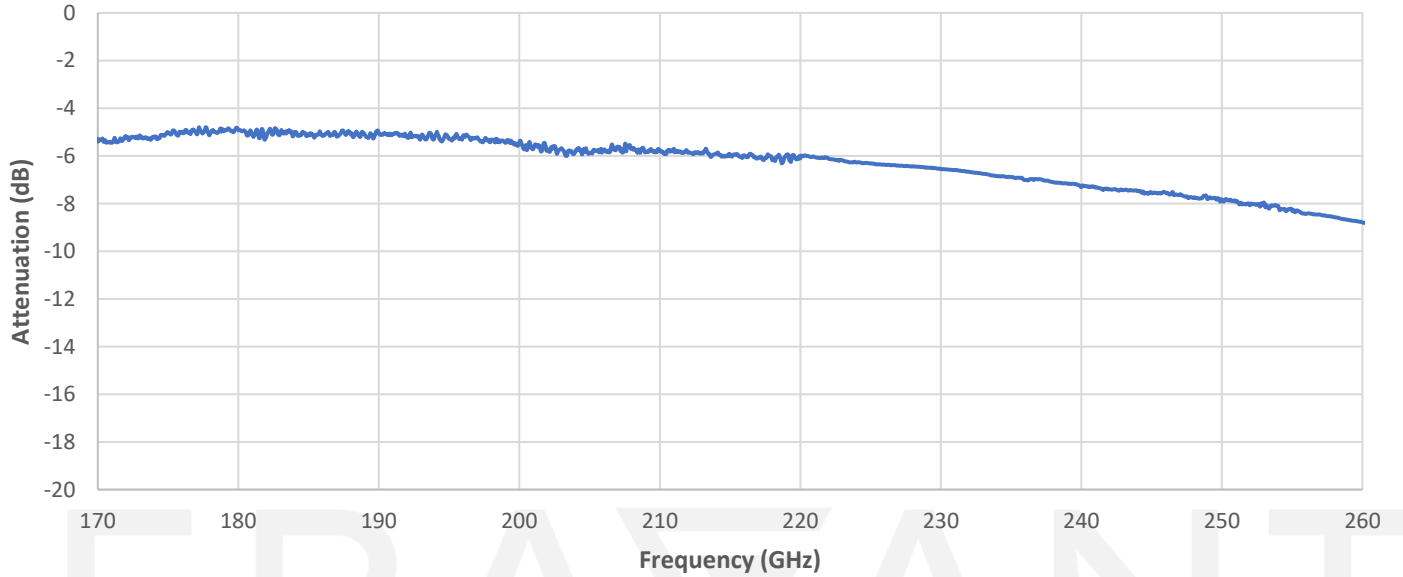
#### APPLICATIONS

- Test Lab
- Instrumentations
- System Integration

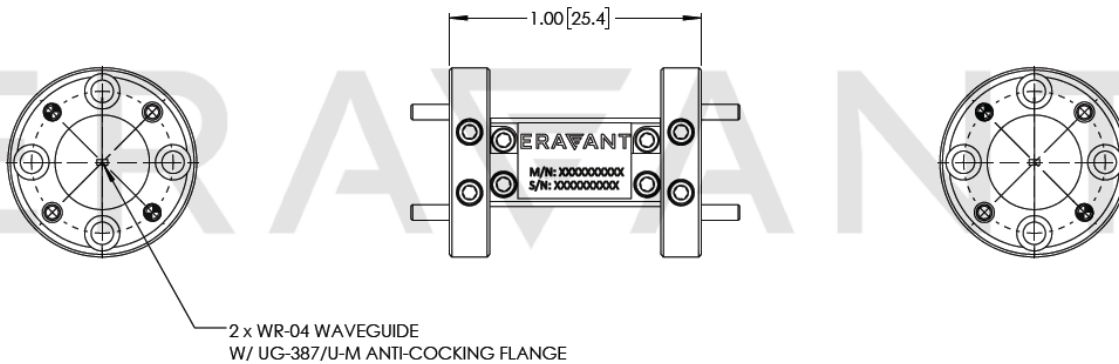
#### SUPPLEMENTAL DETAILS



### Typical Measured Attenuation vs Frequency



**Mechanical Outline:** (Unless otherwise specified, all dimensions are in inches [millimeters])



**NOTE:**

- All data presented is collected from a sample lot. Actual data may vary unit to unit, slightly.
- All testing was performed under +25 °C case temperature.
- Eravant reserves the right to change the information presented without notice.

**CAUTION:**

- Exceeding absolute maximum ratings will damage the device.
- Any foreign objects in the waveguide will cause performance degradation and may damage the device.