

SAO-2734030810-KF-S1

Ka Band Omnidirectional Antenna, 10°, 7.5 dBi Gain

SAO-2734030810-KF-S1 is a Ka band, Coax omnidirectional antenna that covers the frequency range of 26.5 and 40 GHz. This vertically polarized antenna offers 360 degrees azimuth coverage with a 7.5 dBi typical gain and ± 1 dB nominal gain flatness. The antenna features a half power beamwidth of 10 degrees in its vertical direction. The RF port of the antenna is equipped with 2.92 mm (F) interface.



Electrical Specifications:

Parameter	Minimum	Typical	Maximum
Frequency Range	26.5 GHz		40 GHz
Gain		7.5 dBi	
Azimuth Gain Variation		± 1 dB	
Azimuth Beamwidth		360°	
3 dB Vertical Beamwidth		10°	
Return Loss		9 dB	
Power Handling		50 W (CW)	75 W (CW)
Specification Temperature		+25 °C	
Operating Temperature	-40 °C		+85 °C

Mechanical Specifications:

Item	Specification
Antenna Port	2.92 mm (K) Female Connector
Body Material	Aluminum
Radome Material	HDPE
Finish	Clear Chem Film
Weight	35.5 Oz
Outline	AO-AC08-010-E

ECCN

EAR99

FEATURES

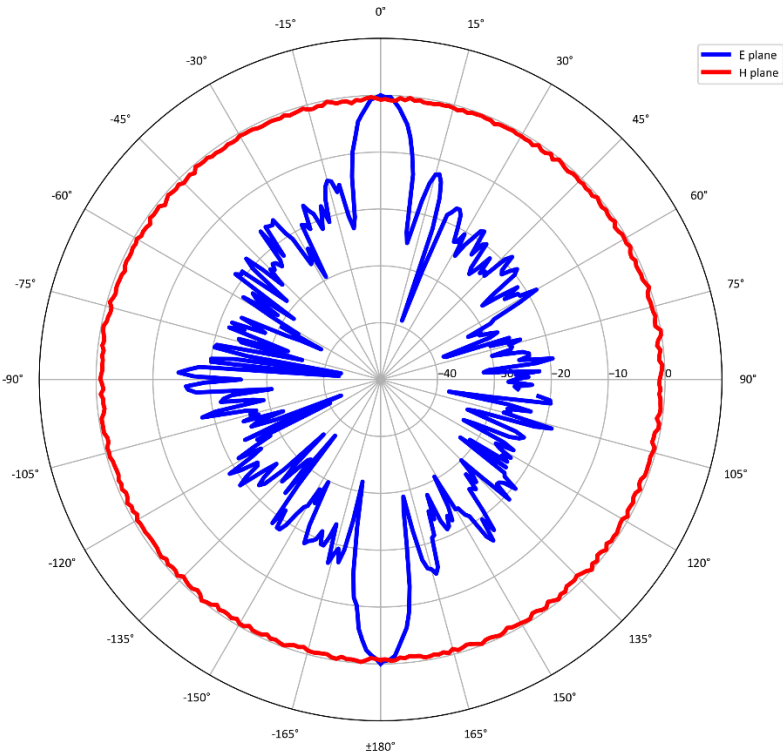
- 360° Azimuth Coverage
- 10° Vertical 3 dB Beamwidth
- Vertically Polarized
- Full Band Operation

APPLICATIONS

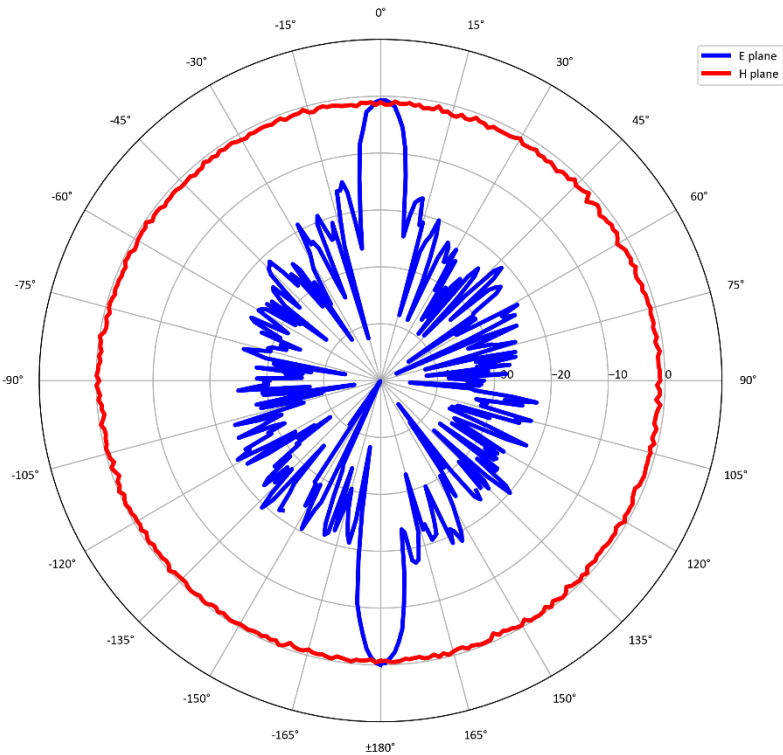
- 5G Systems
- Communication Links
- EW Systems
- Indoor Local Area Networks

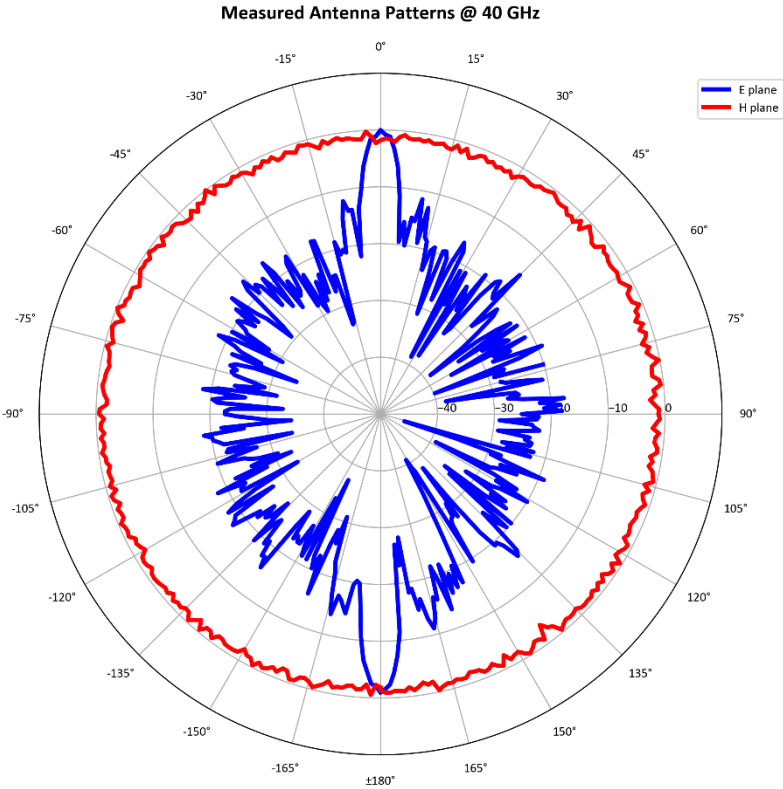
SUPPLEMENTAL DETAILS

Measured Antenna Patterns @ 26.5 GHz

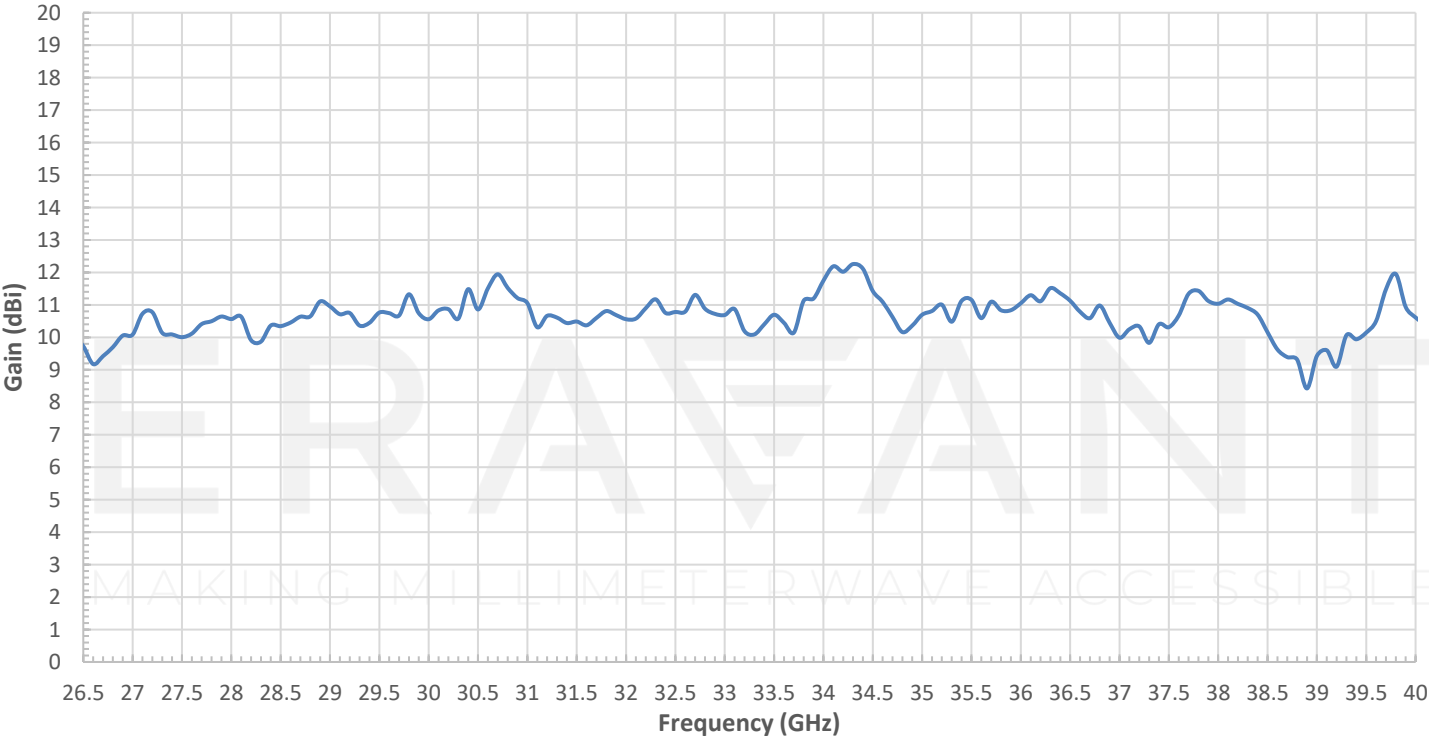


Measured Antenna Patterns @ 33.2 GHz



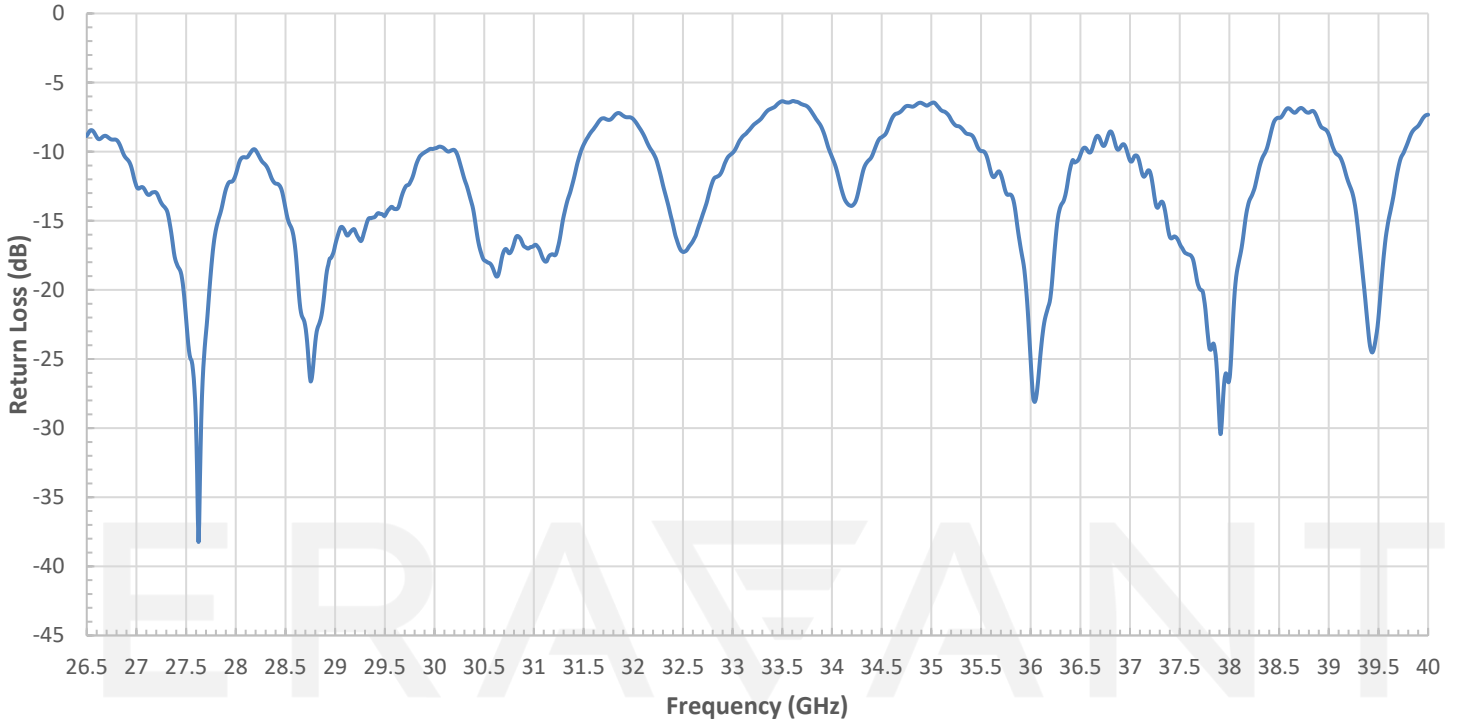


Measured Gain vs Frequency



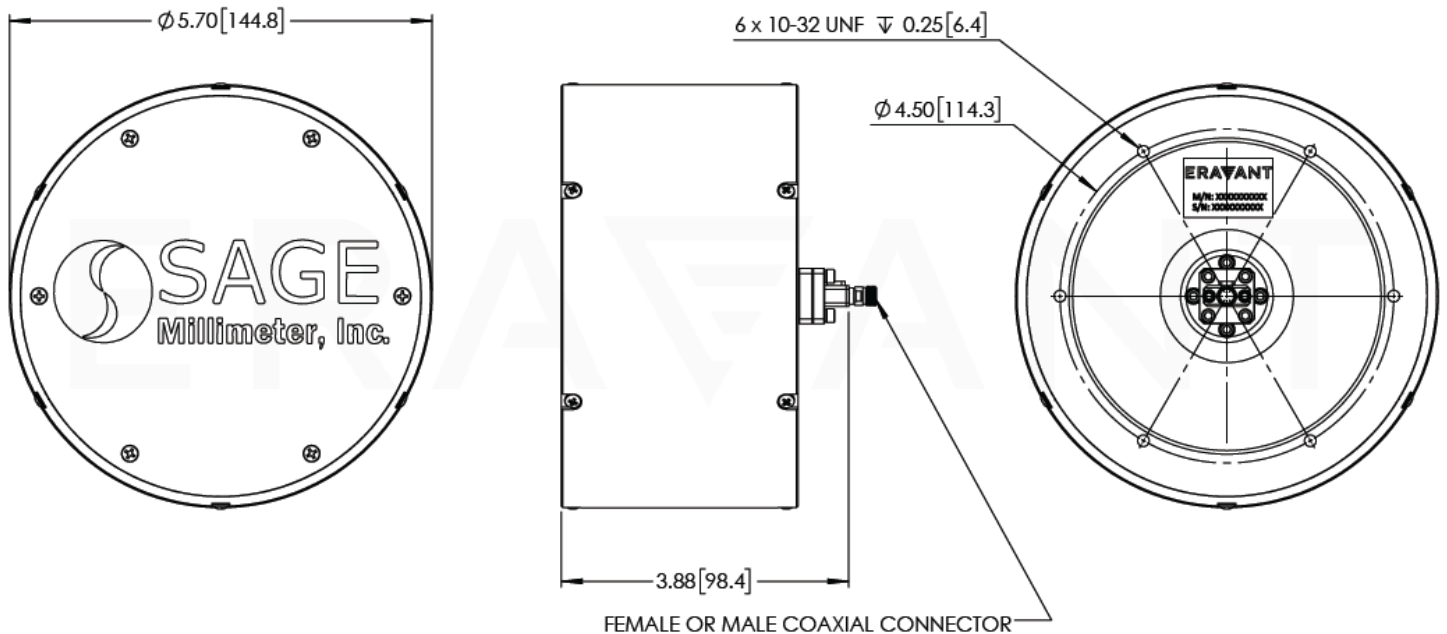
SAO-2734030810-KF-S1

Measured Return Loss vs Frequency



MAKING MILLIMETERWAVE ACCESSIBLE

Mechanical Outline: (Unless otherwise specified, all dimensions are in inches [millimeters])



NOTE:

- All data presented is from a sample lot. Actual data may vary from unit to unit.
- All testing was performed under +25°C case temperature
- Eravant reserves the right to change the information presented without notice.

CAUTION:

- Any foreign objects in the antenna will cause performance degradation and possible device damage.

ERAVANT
MAKING MILLIMETERWAVE ACCESSIBLE

ERAVANT
MAKING MILLIMETERWAVE ACCESSIBLE