



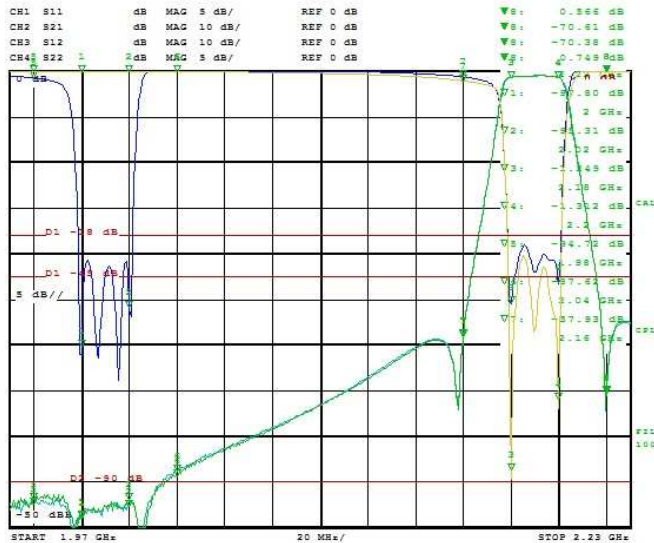
RF-LAMBDA

The power beyond expectations

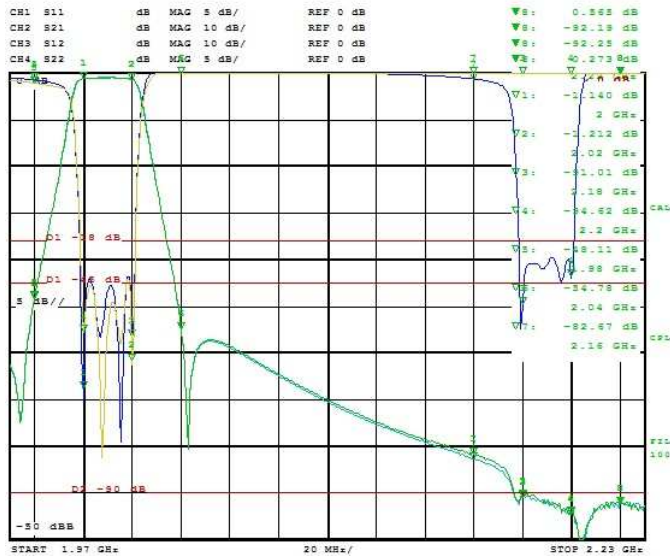
RFDU1G2GC

HIGH POWER CAVITY DUPLEXER RX: 2000-2020MHz TX: 2180-2200MHz

- Compact size and high power handle
- Very high rejection outdoor unit
- Compatible with ITU Standard
- N-Female and SMA-F connector available upon request
- Storage temperature -40~+85C
- Operational Temperature: -25~+55C
- Operating Humidity: 0~90% relative



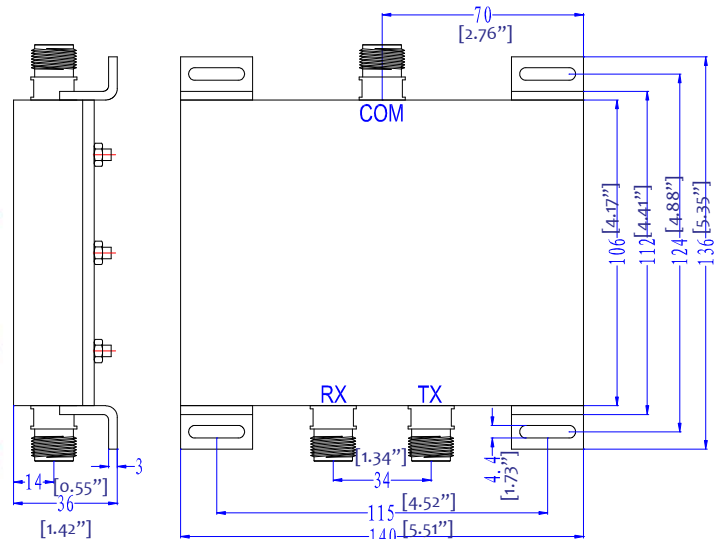
Date: 2.JUL.08 11:01:07



Date: 2.JUL.08 10:57:56

Electrical Specification

Frequency Range: RX: 2000-2020MHz
TX: 2180-2200MHz
Insertion Loss: 1.5dB max
Pass band Ripple: 0.8dB maximum
VSWR: ≤1.3
Power Handle: 50W
Outband Rejection: 45dB
Offset Rejection: 65dB



HIGH POWER CAVITY DUPLEXER 2000-2020MHZ & 2180-2200MHZ