



When precision matters...

## M18 to 3/4" Pipe Thread NPT Adaptor TW3XXX

The M18 to 3/4" Pipe Thread NPT Adaptor (PN 23-0110-1) is designed to fit all of Tallysman's TW3XXX family of antennas. The adaptor allows a TW3XXX series antenna to be mounted on a 3/4" NPT pipe thread (please refer to the diagram on the right).

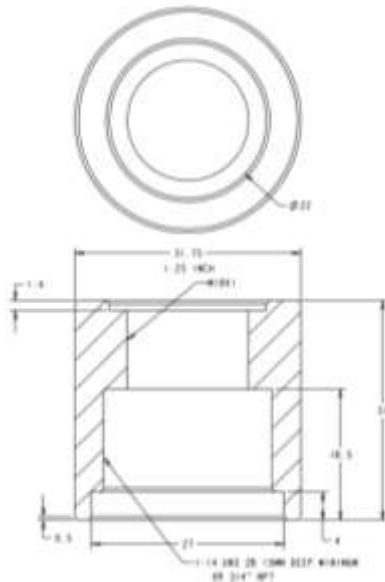
### Applications

- Marine

### Features

- Aluminum 5083
- Chromate conversion finish
- Easy to use
- Resilient to weather conditions

### Drawing



Pipe Thread Adapter TW3XXX  
Assembly

All dimensions are in mm unless noted otherwise.

### Ordering Information

M18 to 3/4" NPT Pipe Thread Adaptor for the TW3XXX Family of Antennas Part Number: 23-0110-1

### Tallysman Wireless Inc

36 Steacie Drive  
Ottawa ON K2K 2A9 Canada  
Tel +1 613 591 3131 Fax 613 591 3121  
[sales@tallysman.com](mailto:sales@tallysman.com)

The information provided herein is intended as a guide only and is subject to change without notice. This document is not to be regarded as a guarantee of performance. Tallysman Wireless Inc. hereby disclaims any or all warranties and liabilities of any kind. © 2016 Tallysman Wireless Inc. All rights reserved.