

4

3

2

1

**MATERIAL & FINISH:**

- 1 BODY: STAINLESS STEEL, PASSIVATEDL
- 2 CENTER CONTACT: BERYLLIUM COPPER ALLOY, GOLD PLATED
- 3 INSULATOR: PEI
- 4 COUPLING NUT: STAINLESS STEEL, PASSIVATED

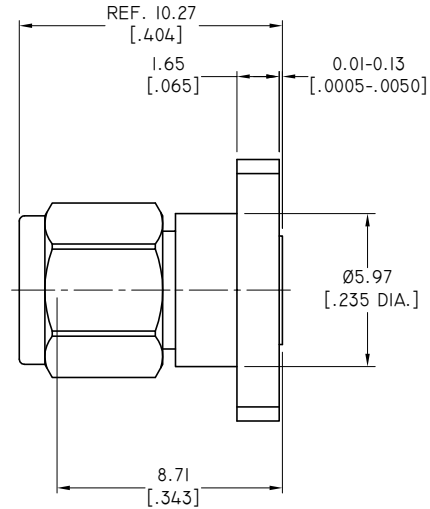
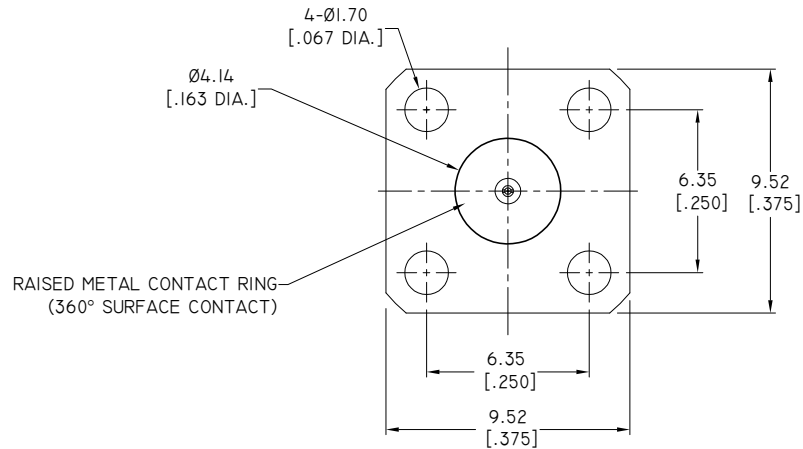
**ELECTRICAL DATA:**

- 1 IMPEDANCE: 50 Ω
- 2 FREQUENCY RANGE: DC-110 GHZ

REVISIONS			
REV.	DESCRIPTION	DATE	APPROVED
A	INITIAL RELEASE	03/10/20	J. QU

**ENVIRONMENTAL DATA:**

- 1 TEMPERATURE RANGE: -55°C~+165°C
- 2 2011/65/EU(ROHS) AND 2015/863/(ROHS): COMPLIANT
- 3 1999/45/EC(REACH): COMPLIANT



DRAWN	W. YANG	DATE	03/10/20
CHECKED	L. YANG	DATE	03/10/20
APPROVED	J. QU	DATE	03/10/20
UNLESS OTHERWISE SPECIFIED DIMENSIONS ARE IN MILLIMETERS, DIMENSIONS IN [ ] ARE IN INCHES FOR CUSTOMER REFERENCE ONLY UNLESS OTHERWISE SPECIFIED TOLERANCE ARE:		THESE DRAWINGS AND SPECIFICATIONS ARE THE PROPERTY OF ANOISON ELECTRONICS LTD AND SHOULD NOT BE USED WITHOUT WRITTEN PERMISSION COPYRIGHT © 2020 ANOISON ELECTRONICS LTD	
.XX	±0.08 [ .003"		
.X	±0.20 [ .008"		
X	±0.50 [ .019"		
.X°	±1°		
X°	±2°		



TITLE			
IMM STRAIGHT MALE, 4 HOLE .375SQ FLANGE (.009)			
VIEW	PART NO.		
	ANO 7611-3005		
SIZE	SCALE	SHEET	REV.
A3	5:1	1/1	A

4

3

2

1