



When precision matters...

1 1/4" ID Pipe Mount TW3XXX

The 1.25" Inner Diameter Pipe Mount (PN 23-0065-0) is designed to fit all of Tallysman's TW3XXX family of antennas. The pipe mount can be secured with stainless steel cap screws (please refer to the diagram on the right).

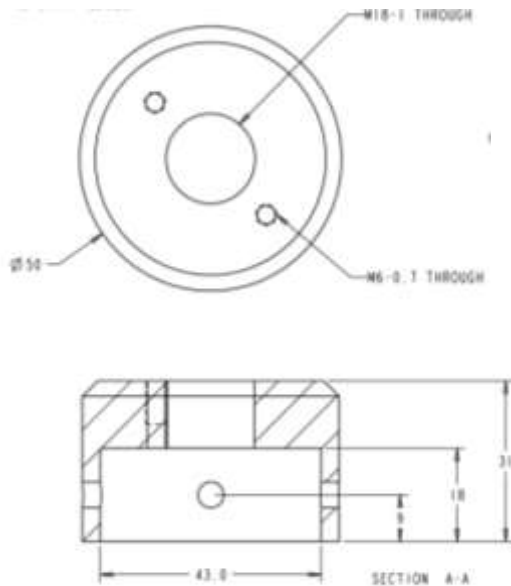
Applications

- Marine

Features

- Stainless Steel
- Easy to use
- Resilient to weather conditions

Drawing



1 1/4" ID Pipe Mount TW3XXX Assembly

All dimensions are in mm unless noted otherwise.

Ordering Information

Pipe Adapter for TW3000 Family of Antennas

Part Number: 23-0065-0

Tallysman Wireless Inc

36 Steacie Drive
Ottawa ON K2K 2A9 Canada
Tel +1 613 591 3131 Fax 613 591 3121
sales@tallysman.com

The information provided herein is intended as a guide only and is subject to change without notice. This document is not to be regarded as a guarantee of performance. Tallysman Wireless Inc. hereby disclaims any or all warranties and liabilities of any kind. © 2016 Tallysman Wireless Inc. All rights reserved.