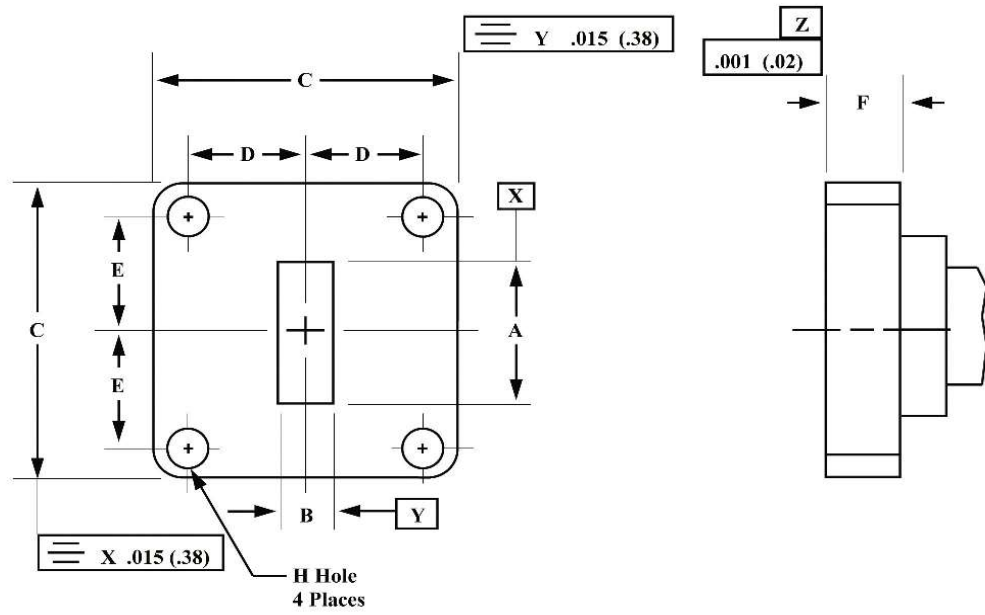


Finished Flange and Waveguide



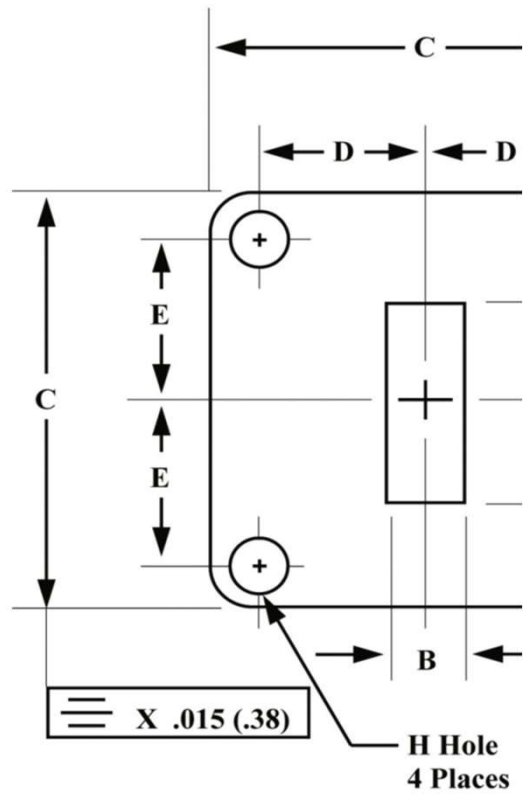
RECTANGULAR FLANGE								
Band	Frequency Band	MIL Part Number M3922/54-4	A +/-0.4 mm	B +/-0.4 mm	C	D BSC	E BSC	F
K	18.0GHz 26.5GHz	-001	10.37	4.32	22.22 +/- 0.38	8.51	8.13	3.96 +/- 0.38
A	26.5GHz 40GHz	-003	7.11	3.56	19.05 +/- 1.3	6.75	6.35	2.77 +/- 0.38
B	33.0GHz 50.0GHz	N/A	5.69	2.84	19.05 +/- 1.3	6.75	6.35	3.96 +/- 0.38
B	33.0GHz 50.0GHz	N/A	5.69	2.84	19.05 +/- 1.3	6.75	6.35	3.96 +/- 0.38
U	40.0GHz 60.0GHz	N/A	4.78	2.39	19.05 +/- 1.3	6.75	6.35	4.75 +/- 0.38
U	40.0GHz 60.0GHz	N/A	4.78	2.39	19.05 +/- 1.3	6.75	6.35	4.75 +/- 0.38

日本総販売代理店

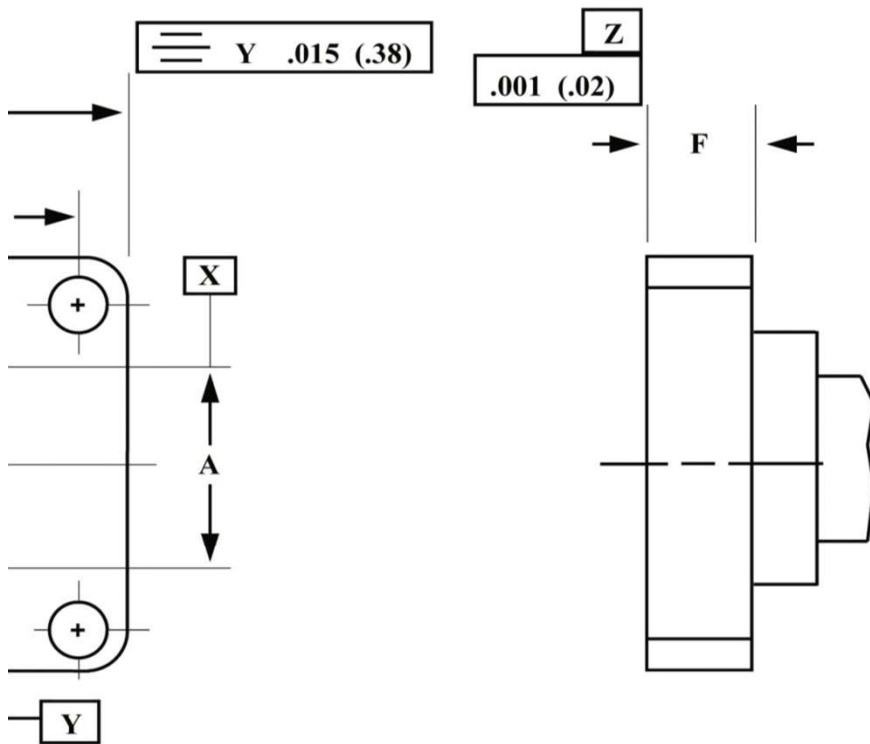
株式会社 アムテックス

〒156-0052
東京都世田谷区経堂5丁目20番16号
TEL (03)5450-5311 FAX (03)5450-5312

H
2.95 + 0.05
2.95 + 0.05
2.95 + 0.05
UNC-2B
2.95 + 0.05
UNC-2B



<i>miwv</i> Band	Frequency Band (GHz)	MIL Part Number M3922/54-4	A ± .0015 (.04)
K	18.0 26.5	-001	.4200 (10.67)
A	26.5 40.0	-003	.2800 (7.11)
B	33.0 50.0	N/A	.2240 (5.69)
B	33.0 50.0	N/A	.2240 (5.69)
U	40.0 60.0	N/A	.1880 (4.78)
U	40.0 60.0	N/A	.1880 (4.78)



B ±.0015 (.04)	C	D BSC	E BSC	F	H	<i>miwv</i> Flange
.1700 (4.32)	.875±.015 (22.22)(.38)	.335 (8.51)	.320 (8.13)	.156±.015 (3.96)(.38)	.116+.002 (2.95)(.05)	UG-595/U
.1400 (3.56)	.750±.005 (19.05)(1.3)	.265 (6.75)	.250 (6.35)	.109±.005 (2.77)(.38)	.116+.002 (2.95)(.05)	UG-599/U
.1120 (2.84)	.750±.005 (19.05)(1.3)	.265 (6.75)	.250 (6.35)	.156±.005 (3.96)(.38)	.116+.002 (2.95)(.05)	719 (UG- 599/UM)
.1120 (2.84)	.750±.005 (19.05)(1.3)	.265 (6.75)	.250 (6.35)	.156±.005 (3.96)(.38)	.112-40 UNC-2B	719T
.0940 (2.39)	.750±.005 (19.05)(1.3)	.265 (6.75)	.250 (6.35)	.187±.005 (4.75)(.38)	.116+.002 (2.95)(.05)	720 (UG- 599/UM)
.0940 (2.39)	.750±.005 (19.05)(1.3)	.265 (6.75)	.250 (6.35)	.187±.005 (4.75)(.38)	.112-40 UNC-2B	720T