

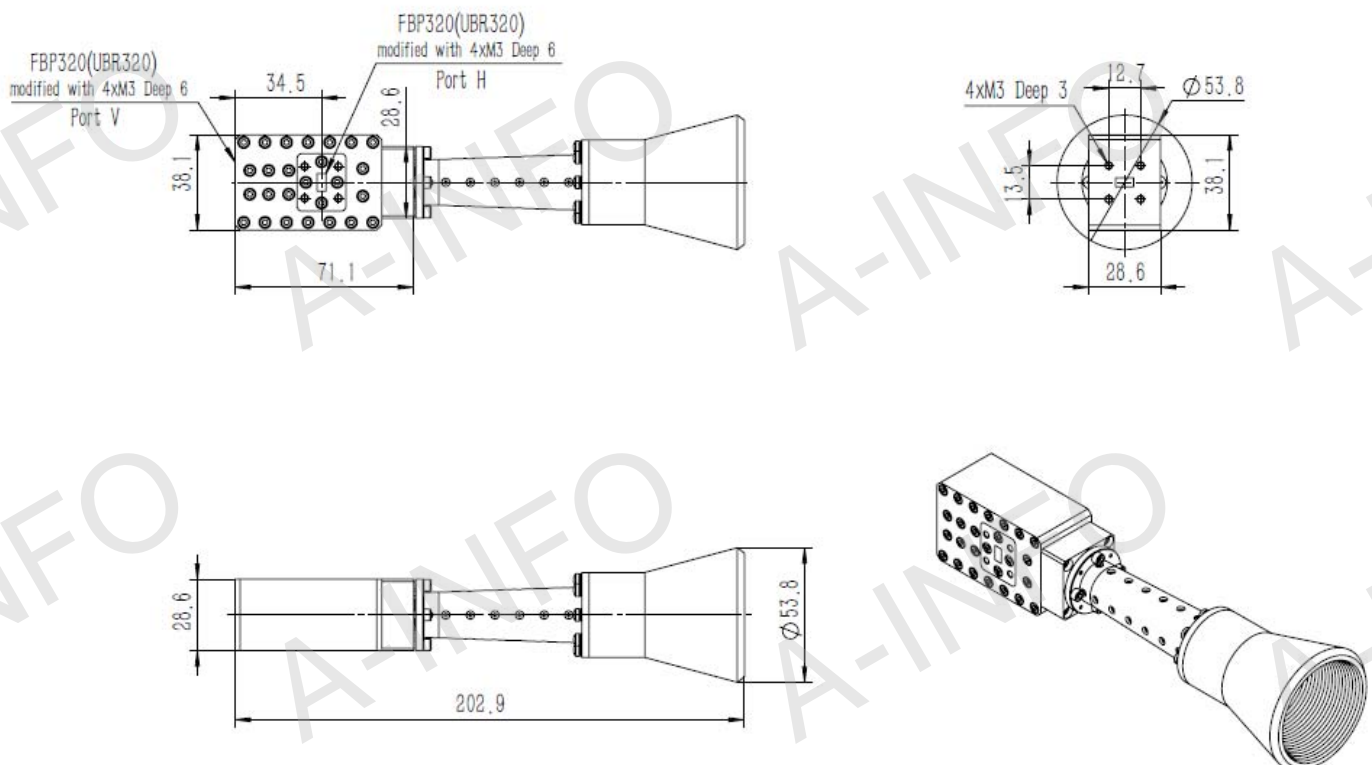
Technical Specification



Frequency Range(GHz)	24.0 - 50.0
Waveguide	WR28
Gain(dBi)	20 Typ.
Polarization	Dual Linear
3dB Beamwidth(deg)	E Plane: 14 Typ.
	H Plane: 14 Typ.
Cross Pol. Isolation(dB)	40 Typ.
	35 Min.
Port to Port Isolation(dB)	40 Typ.
	30 Min.
VSWR	2.0:1 Typ.
	2.2:1 Max.
Output	A Type: FBP320(UBR320) (Modified with 4xM3)
	C Type: 2.4mm-Female
Material	Al
Size(mm)	A Type: 53.8 x 53.8 x 202.9
	C Type: 64.8 x 53.8 x 226.5
Net Weight(Kg)	A Type: 0.35 Around
	C Type: 0.45 Around

Outline Drawing (Size: mm)

A Type(With FBP320 Output)



AINFO Inc.

Page 1 of 11

China(Beijing):
China(Chengdu):
USA :

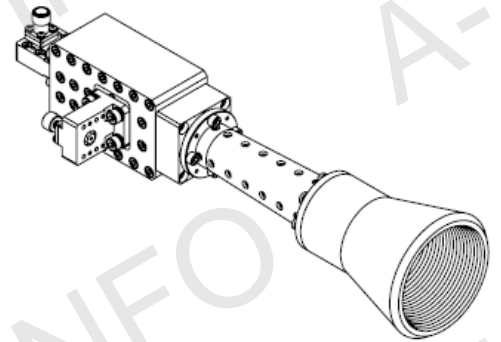
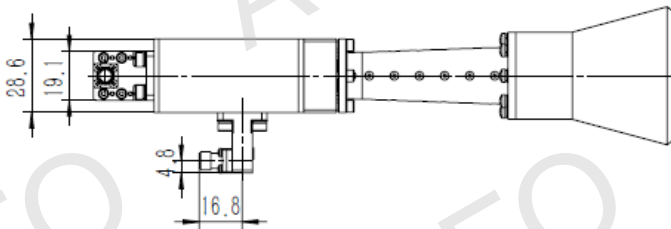
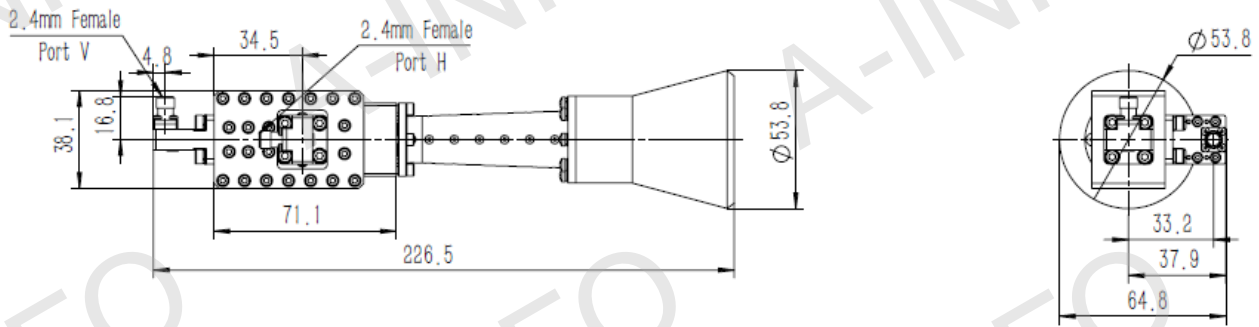
Tel: (+86) 10-6266-7326,
Tel: (+86) 28-8519-2786,
Tel: (+1) 949-639-9688,

(+86) 10-6266-7327
(+86) 28-8519-3044
(+1) 949-639-9608

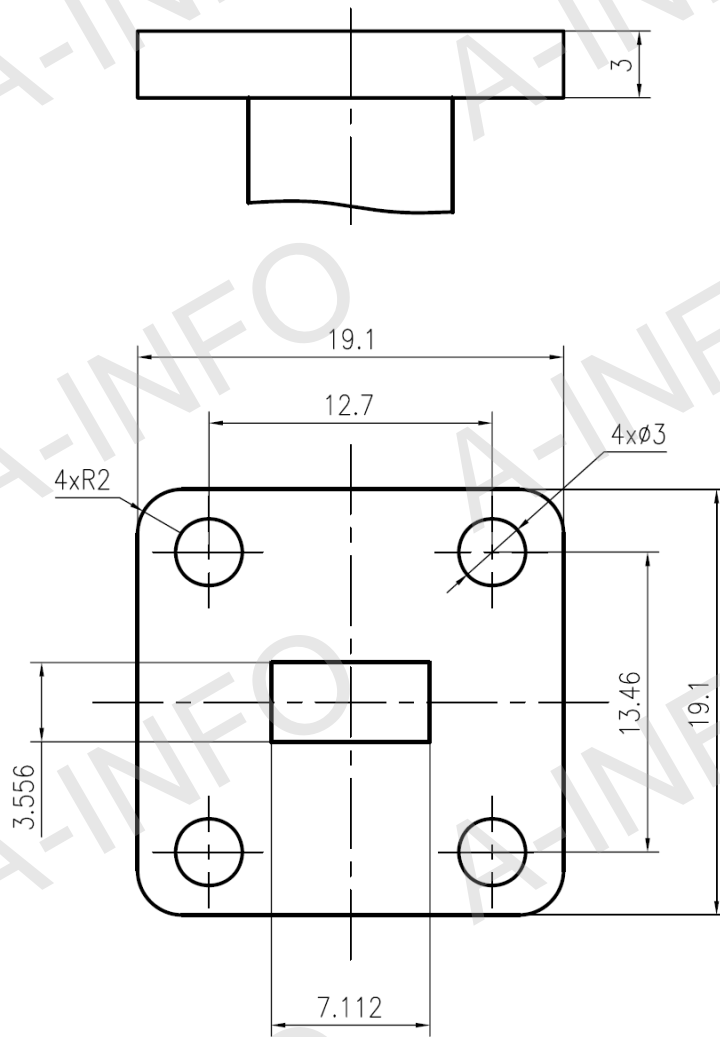
Fax: (+86) 10-6266-7379
Fax: (+86) 28-8519-3068
Fax: (+1) 949-639-9670

Website: www.ainfoinc.com
Email: sales@ainfoinc.com

C Type (With 2.4mm-Female Output)



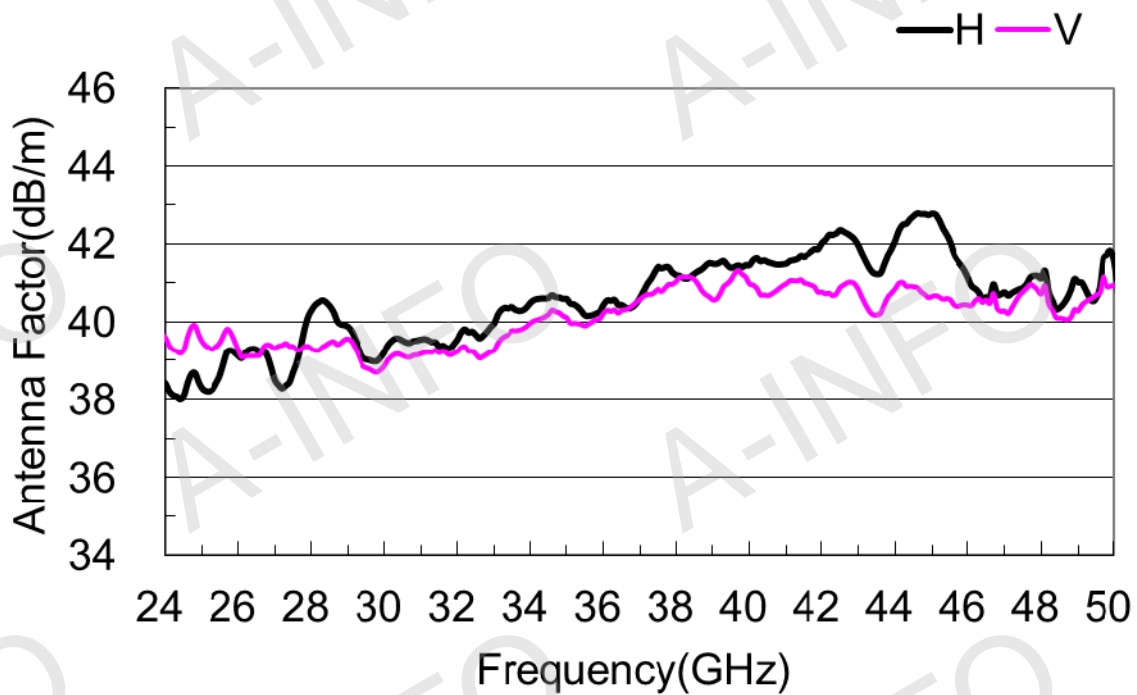
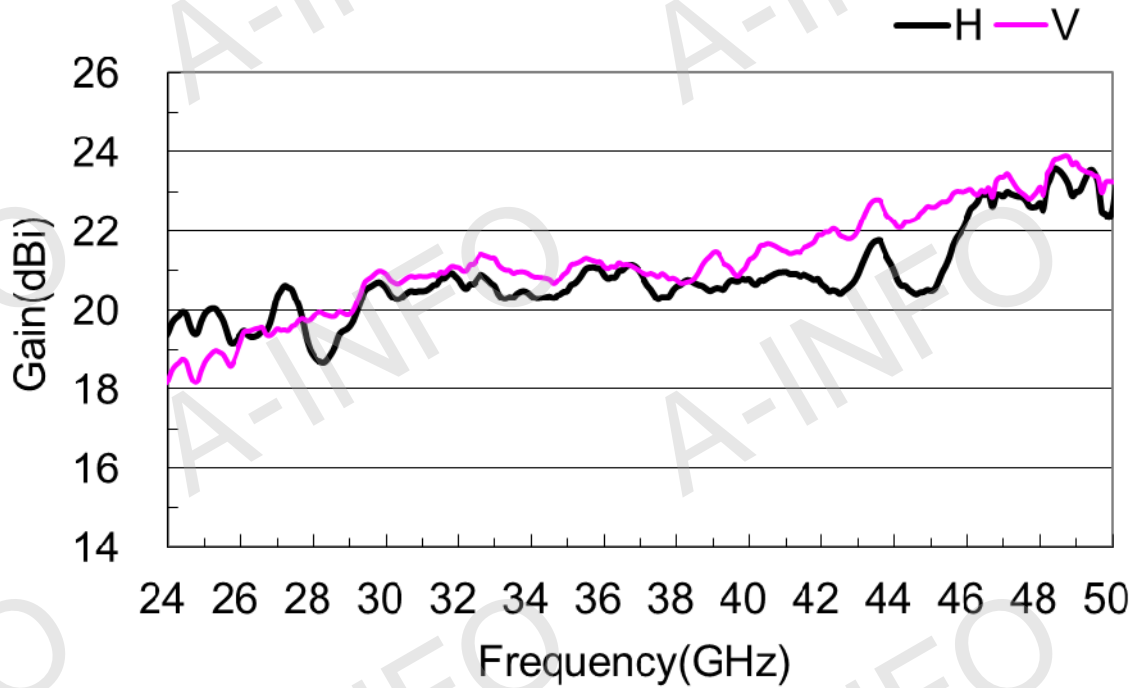
Flange Drawing (Size: mm)



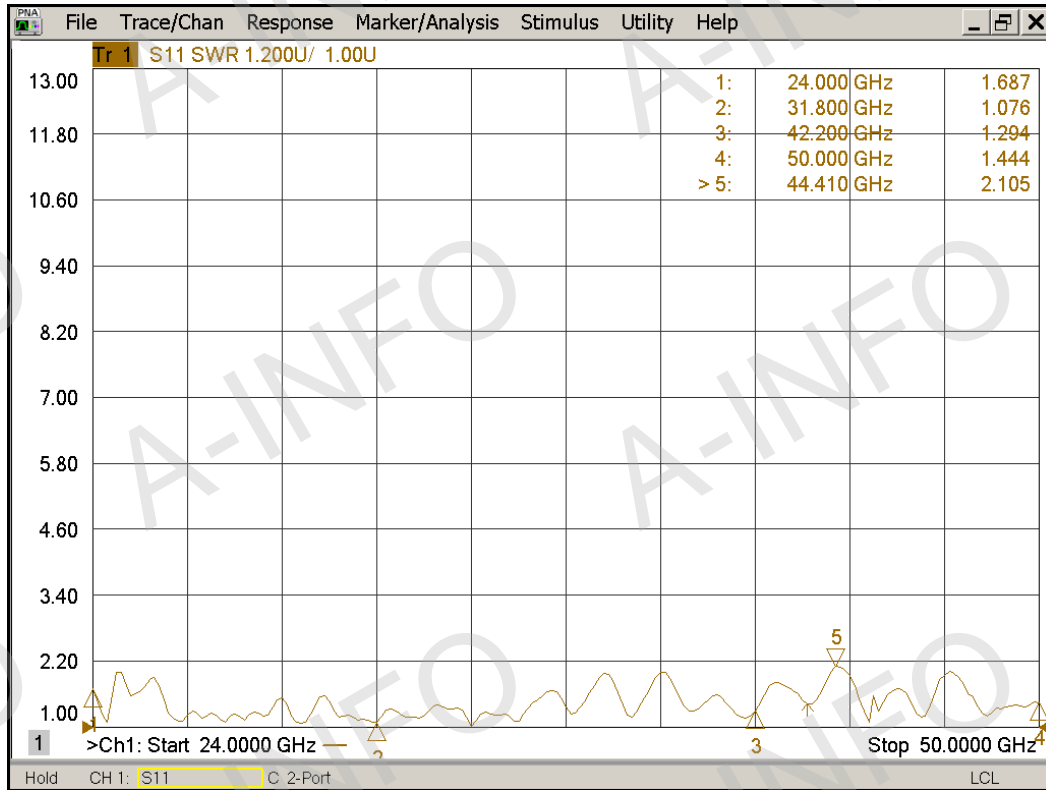
FBP320

Test Results

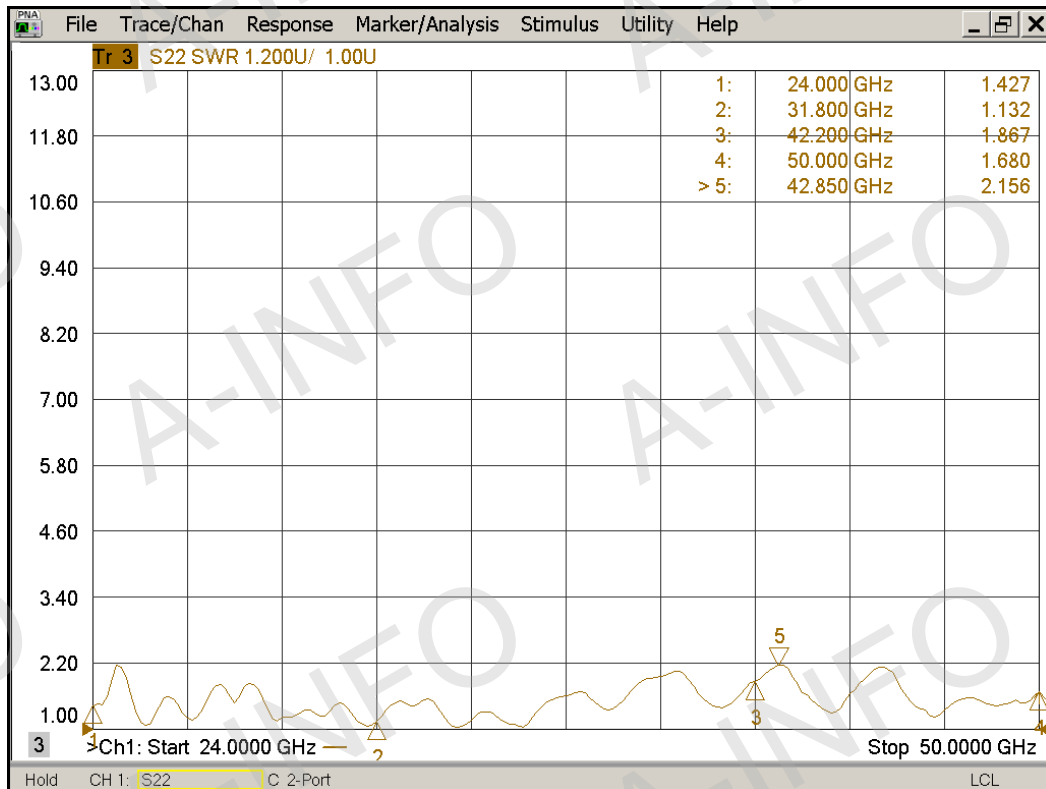
1. Gain and Antenna Factor



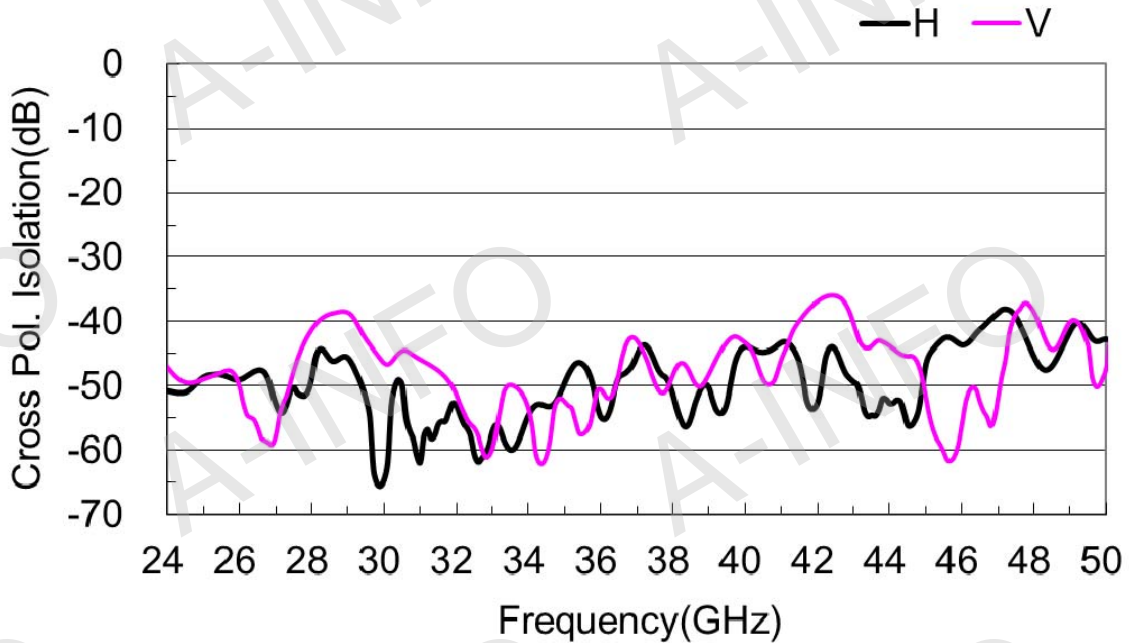
2. VSWR Port-V



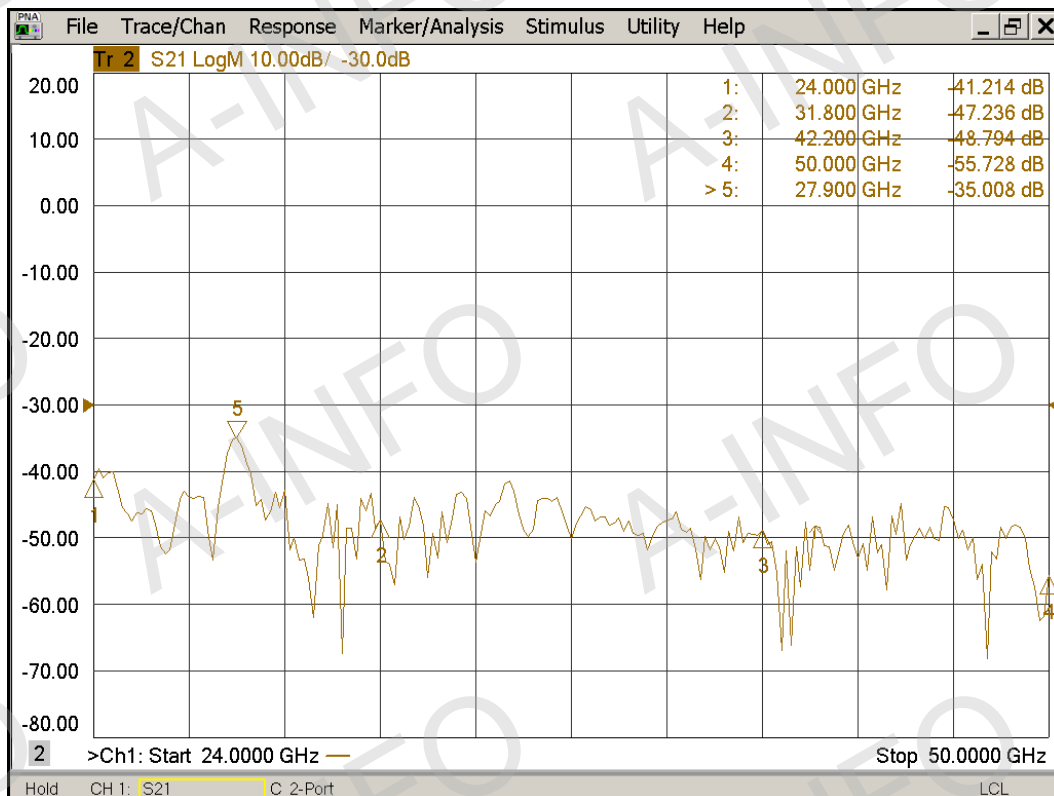
Port-H



3. Cross Polarization Isolation



4. Port to Port Isolation



5. Pattern

