



L1GPSA-N

L1 GPS Active Antenna

Technical Product Data

RoHS Compliant



Features

- **High Gain**
38dBi typical
- **Low Noise Figure**
1.8dB typical
- **Pipe/Pole Mount Included**
Optional L1RAMB Mount with Base and Pole available separately
- **Low Operating Current**
20mA typical
- **Low VSWR**
typical 1.5:1
- **Right-hand circularly polarized**
- **Enhanced immunity to lightning surge**
IEC61000-4-5 Level 4 (4000V)
prevents antenna failure caused by induced lightning

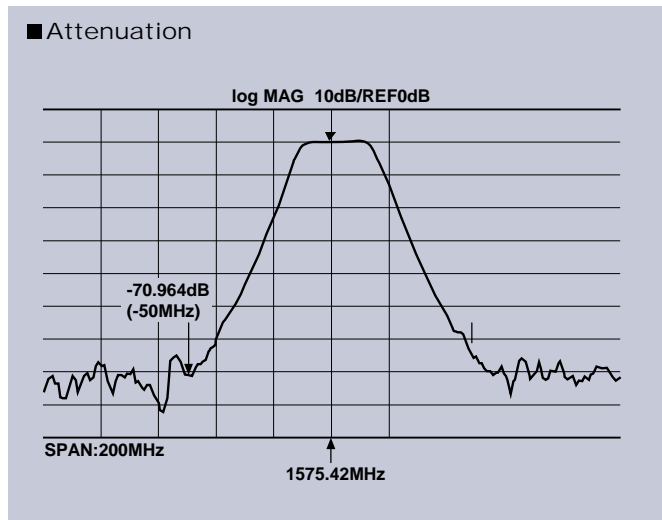
Description

The L1GPSA-N is a 38dB gain GPS antenna designed for the L1 carrier frequency. Designed for timing and synchronization applications, the L1GPSA-N maintains excellent performance under severe environmental conditions (rain, snow etc.). It also features high gain, low noise figure and a low operating current. With convenient mounting options, the L1GPSA-N is an excellent choice for ensuring a strong reliable GPS signal.

Parameter	Conditions			Max	Units
Freq. Range	Ant – J1	1575.42 +/-1.023			MHz
In/Out Imped.	Ant, J1		50		Ω
Polarization	Right-hand circularly polarized,				
Noise Figure			1.8		dB
VSWR	Ant - 50 Ω		1.5:1		-
Operating Voltage		4.5	5.0	5.5	Vdc
Operating Current			20	27	mA
Immunity to Lightning Surge	IEC61000-4-5 Level 4				

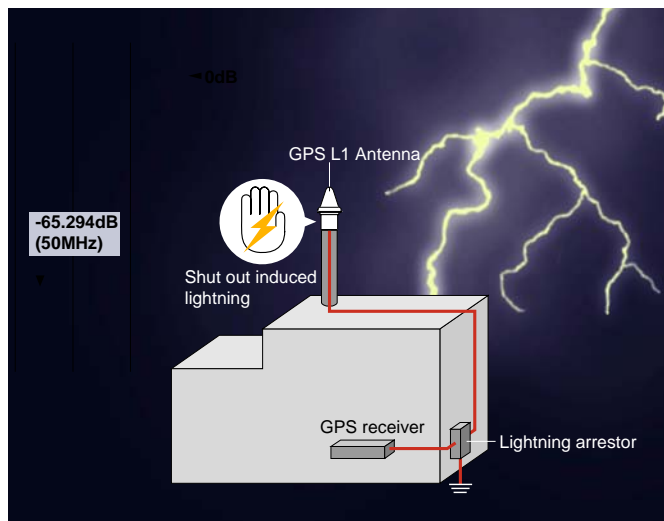
Immunity to noise and interference

Secure performance by attenuating noise and interference near GPS L1 frequency through triple filtering design



Immunity to lightning surge

Model with enhanced immunity to lightning surge [IEC61000-4-5 Level 4 (4000V)] preventing antenna failure caused by induced lightning



Part Number

L1GPSA - N

Model Number/Part Number:

L1GPSA: L1 GPS Active Antenna

Connector Options:

N: N type female only

Mechanical and Environmental

Dimensions:

Height: 98.4 mm

Diameter: 88.5 mm

Width: 0.75" (+0.438" including mounting tabs)

Weight:

187 grams)

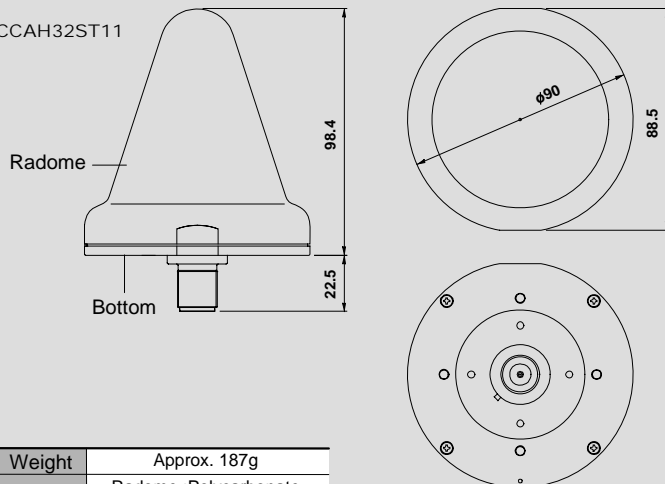
Operating Temp. Range: -40° to + 85°C

Storage Temp. Range: -45 to + 85C

■ Dimensions

(Unit:mm)

CCA32ST11



N connector **Mounting Base (included)**



Weight	Approx. 187g
Material	Radome :Polycarbonate Bottom :Die-cast aluminum

■ Product model

Part No.	CCA32ST04
Connector	N
Mounting Base	(B)

Model with
enhanced immunity
to lightning